



# SANYO Semiconductors

## DATA SHEET

# LV8051PL — Bi-CMOS IC

## For Digital Still Cameras

### 6-channel 1-chip Motor Driver IC

#### Overview

The LV8051PL is a digital still camera motor driver that integrates six channels on a single-chip.

#### Features

- Five PWM drive forward/reverse motor driver channels
- One constant current forward/reverse motor driver channel
- The states of all drivers can be set up over 8-bit serial data transfer
- Ability to set the constant current reference voltage via serial data

#### Examples of Actuator Applications

	Shutter	Iris	Focus	Zoom
Application 1	Constant current/VCM	Saturated/VCM	Saturated/STM	Saturated/STM
Application 2	Constant current/VCM	Saturated/VCM	Saturated/STM	Saturated/DCM

#### Specifications

##### Absolute Maximum Ratings at Ta = 25°C

Parameter	Symbol	Conditions	Ratings	Unit
Supply voltage 1	VM max		6	V
Supply voltage 2	VCC max		6	V
Output peak current	IO peak	1ch/2ch/3ch/4ch/5ch/6ch Pulse width<10ms, Duty ≤20%	600	mA
Output continuous current	IO max	1ch/2ch/3ch/4ch/5ch/6ch	400	mA
Allowable power dissipation 1	Pd max1	Independent IC	0.2	W
Allowable power dissipation 2	Pd max2	Mounted on a circuit board*	1.0	W
Operating temperature	Topr		-20 to +85	°C
Storage temperature	Tstg		-55 to +150	°C

\* Mounted on a specified board: 40mm×50mm×0.8mm, glass epoxy four-layer board.

- Any and all SANYO Semiconductor Co.,Ltd. products described or contained herein are, with regard to "standard application", intended for the use as general electronics equipment (home appliances, AV equipment, communication device, office equipment, industrial equipment etc.). The products mentioned herein shall not be intended for use for any "special application" (medical equipment whose purpose is to sustain life, aerospace instrument, nuclear control device, burning appliances, transportation machine, traffic signal system, safety equipment etc.) that shall require extremely high level of reliability and can directly threaten human lives in case of failure or malfunction of the product or may cause harm to human bodies, nor shall they grant any guarantee thereof. If you should intend to use our products for applications outside the standard applications of our customer who is considering such use and/or outside the scope of our intended standard applications, please consult with us prior to the intended use. If there is no consultation or inquiry before the intended use, our customer shall be solely responsible for the use.
- Specifications of any and all SANYO Semiconductor Co.,Ltd. products described or contained herein stipulate the performance, characteristics, and functions of the described products in the independent state, and are not guarantees of the performance, characteristics, and functions of the described products as mounted in the customer's products or equipment. To verify symptoms and states that cannot be evaluated in an independent device, the customer should always evaluate and test devices mounted in the customer's products or equipment.

**SANYO Semiconductor Co., Ltd.**

TOKYO OFFICE Tokyo Bldg., 1-10, 1 Chome, Ueno, Taito-ku, TOKYO, 110-8534 JAPAN

# LV8051PL

## Allowable Operating Ranges at Ta = 25°C

Parameter	Symbol	Conditions	Ratings	Unit
Supply voltage range 1	VM		2.7 to 5.5	V
Supply voltage range 2	V <sub>CC</sub>		2.7 to 5.5	V
Logic input voltage	V <sub>IN</sub>		0 to V <sub>CC</sub> +0.3	V
PWM frequency	fPWM	PWM1, PWM2, PWM3, PWM4, PWM5	Up to 100	kHz

## Electrical Characteristics at Ta = 25°C, VM = 5V, V<sub>CC</sub> = 3.3V

Parameter	Symbol	Conditions	Ratings			Unit
			min	typ	max	
Standby mode current drain	I <sub>stn</sub>	ST = low level			1.0	μA
Current drain 1	I <sub>M</sub>	ST= High level, PWM forward drive IN62= High level, No load		50	100	μA
Current drain 2	I <sub>CC</sub>	ST= High level, PWM forward drive IN62= High level, No load		1.5	2.5	mA
V <sub>CC</sub> low-voltage cut voltage	V <sub>thV<sub>CC</sub></sub>		2.1	2.35	2.6	V
Low-voltage hysteresis voltage	V <sub>thHIS</sub>		100	150	200	mV
Thermal shutdown temperature	TSD	Design guarantee*	150	170	190	°C
Thermal hysteresis width	ΔTSD	Design guarantee*	30	40	50	°C
<b>PWM forward/reverse motor drivers (Channels 1, 2, 3, 4 and 5)</b>						
Output on-resistance	R <sub>ou1</sub>	I <sub>O</sub> =400mA, upper side on-resistance		0.7	0.75	Ω
	R <sub>od1</sub>	I <sub>O</sub> =400mA, lower side on-resistance		0.5	0.6	Ω
Output leakage current	I <sub>Oleak1</sub>				1.0	μA
Diode forward voltage	V <sub>D1</sub>	I <sub>D</sub> = -400mA	0.8	1.0	1.2	V
Logic pin input current	I <sub>INL1</sub>	V <sub>IN</sub> =0V (ST, PWM1, PWM2, PWM3, PWM4, PWM5)			1.0	μA
	I <sub>INH1</sub>	V <sub>IN</sub> =3.3V (ST, PWM1, PWM2, PWM3, PWM4, PWM5)	20	33	50	μA
Logic input high-level voltage	V <sub>INH1</sub>	ST, PWM1, PWM2, PWM3, PWM4, PWM5	2.5			V
Logic input low-level voltage	V <sub>INL1</sub>	ST, PWM1, PWM2, PWM3, PWM4, PWM5			1.0	V
<b>Constant current forward/reverse motor driver (channel 6)</b>						
Output on-resistance	R <sub>ou2</sub>	I <sub>O</sub> =400mA, upper side on-resistance		0.7	0.75	Ω
	R <sub>od2</sub>	I <sub>O</sub> =400mA, lower side on-resistance		0.5	0.6	Ω
Output leakage current	I <sub>Oleak2</sub>				1.0	μA
Diode forward voltage	V <sub>D2</sub>	I <sub>D</sub> = -400mA	0.8	1.0	1.2	V
Logic pin input current	I <sub>INL2</sub>	V <sub>IN</sub> =0V(IN61, IN62)			1.0	μA
	I <sub>INH2</sub>	V <sub>IN</sub> =3.3V(IN61, IN62)	20	33	50	μA
Logic input high-level voltage	V <sub>INH2</sub>	IN61, IN62	2.5			V
Logic input low-level voltage	V <sub>INL2</sub>	IN61, IN62			1.0	V
Current selection reference voltage	VREF1	(D6,D5,D4,D3,D2)=(0,0,0,0,0)	0.190	0.200	0.210	V
	VREF2	(D6,D5,D4,D3,D2)=(0,0,0,0,1)	0.185	0.195	0.205	V
	VREF3	(D6,D5,D4,D3,D2)=(0,0,0,1,0)	0.181	0.190	0.200	V
	VREF4	(D6,D5,D4,D3,D2)=(0,0,0,1,1)	0.176	0.185	0.194	V
	VREF5	(D6,D5,D4,D3,D2)=(0,0,1,0,0)	0.171	0.180	0.189	V
	VREF6	(D6,D5,D4,D3,D2)=(0,0,1,0,1)	0.166	0.175	0.184	V
	VREF7	(D6,D5,D4,D3,D2)=(0,0,1,1,0)	0.162	0.170	0.179	V
	VREF8	(D6,D5,D4,D3,D2)=(0,0,1,1,1)	0.157	0.165	0.173	V
	VREF9	(D6,D5,D4,D3,D2)=(0,1,0,0,0)	0.152	0.160	0.168	V
	VREF10	(D6,D5,D4,D3,D2)=(0,1,0,0,1)	0.147	0.155	0.163	V
	VREF11	(D6,D5,D4,D3,D2)=(0,1,0,1,0)	0.143	0.150	0.158	V
	VREF12	(D6,D5,D4,D3,D2)=(0,1,0,1,1)	0.138	0.145	0.152	V
	VREF13	(D6,D5,D4,D3,D2)=(0,1,1,0,0)	0.133	0.140	0.147	V
	VREF14	(D6,D5,D4,D3,D2)=(0,1,1,0,1)	0.128	0.135	0.142	V
	VREF15	(D6,D5,D4,D3,D2)=(0,1,1,1,0)	0.124	0.130	0.137	V

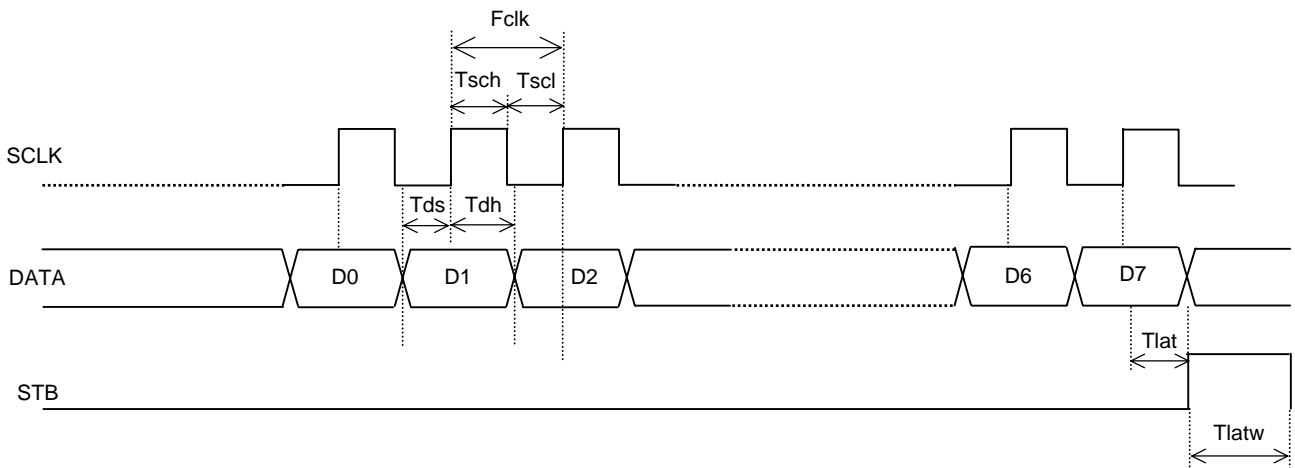
\*Design target value. No measurement made.

Continued on next page.

# LV8051PL

Continued from preceding page.

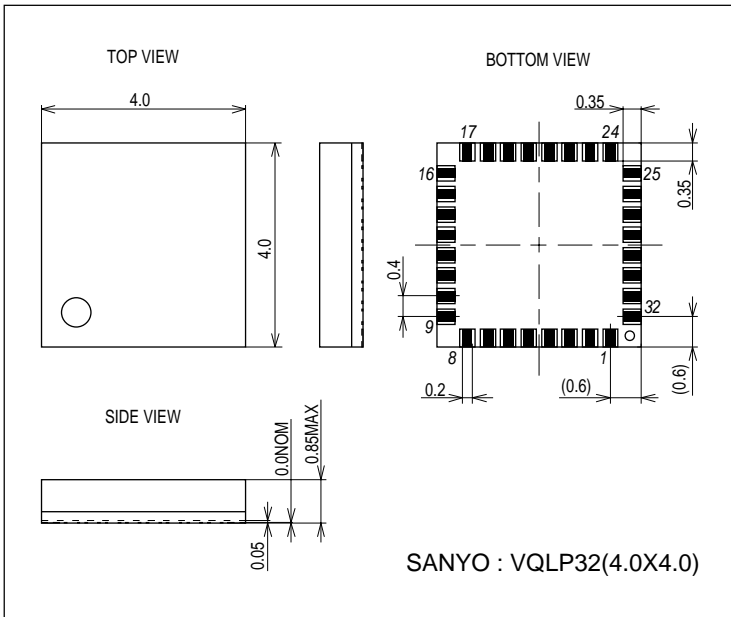
Parameter	Symbol	Conditions	Ratings			Unit
			min	typ	max	
Current selection reference voltage	VREF16	(D6,D5,D4,D3,D2)=(0,1,1,1,1)	0.119	0.125	0.131	V
	VREF17	(D6,D5,D4,D3,D2)=(1,0,0,0,0)	0.114	0.120	0.126	V
	VREF18	(D6,D5,D4,D3,D2)=(1,0,0,0,1)	0.109	0.115	0.121	V
	VREF19	(D6,D5,D4,D3,D2)=(1,0,0,1,0)	0.105	0.110	0.116	V
	VREF20	(D6,D5,D4,D3,D2)=(1,0,0,1,1)	0.100	0.105	0.110	V
	VREF21	(D6,D5,D4,D3,D2)=(1,0,1,0,0)	0.094	0.100	0.106	V
	VREF22	(D6,D5,D4,D3,D2)=(1,0,1,0,1)	0.089	0.095	0.101	V
	VREF23	(D6,D5,D4,D3,D2)=(1,0,1,1,0)	0.084	0.090	0.096	V
	VREF24	(D6,D5,D4,D3,D2)=(1,0,1,1,1)	0.079	0.085	0.091	V
	VREF25	(D6,D5,D4,D3,D2)=(1,1,0,0,0)	0.074	0.080	0.086	V
	VREF26	(D6,D5,D4,D3,D2)=(1,1,0,0,1)	0.069	0.075	0.081	V
	VREF27	(D6,D5,D4,D3,D2)=(1,1,0,1,0)	0.064	0.070	0.076	V
	VREF28	(D6,D5,D4,D3,D2)=(1,1,0,1,1)	0.059	0.065	0.071	V
	VREF29	(D6,D5,D4,D3,D2)=(1,1,1,0,0)	0.054	0.060	0.066	V
	VREF30	(D6,D5,D4,D3,D2)=(1,1,1,0,1)	0.049	0.055	0.061	V
	VREF31	(D6,D5,D4,D3,D2)=(1,1,1,1,0)	0.044	0.050	0.056	V
VREF32	(D6,D5,D4,D3,D2)=(1,1,1,1,1)	0.039	0.045	0.051	V	
Output constant current	I <sub>OUT</sub>	R <sub>load</sub> =3Ω, R <sub>F</sub> =0.5Ω, Internal VREF = 0.2V	380	400	420	mA
FC6 rapid charge current	I <sub>rafc6</sub>		350	500	650	μA
FC6 steady-state charge current	I <sub>chfc6</sub>		5	10	15	μA
FC6 steady-state discharge current	I <sub>disfc6</sub>		5	10	15	μA
<b>Serial data transfer pins</b>						
Logic pin input current	I <sub>INL3</sub>	V <sub>IN</sub> =0V(SCLK, DATA, STB)			1.0	μA
	I <sub>INH3</sub>	V <sub>IN</sub> =3.3V(SCLK, DATA, STB)	20	33	50	μA
Logic input high-level voltage	V <sub>INH3</sub>	SCLK, DATA, STB	2.5			V
Logic input low-level voltage	V <sub>INL3</sub>	SCLK, DATA, STB			1.0	V
Minimum SCLK high-level pulse width	T <sub>sch</sub>		0.125			μs
Minimum SCLK low-level pulse width	T <sub>scl</sub>		0.125			μs
STB specified time	T <sub>lat</sub>		0.125			μs
Minimum STB pulse width	T <sub>latw</sub>		0.125			μs
Data setup time	T <sub>ds</sub>		0.125			μs
Data hold time	T <sub>dh</sub>		0.125			μs
Maximum SCLK frequency	F <sub>clk</sub>				4	MHz



Package Dimensions

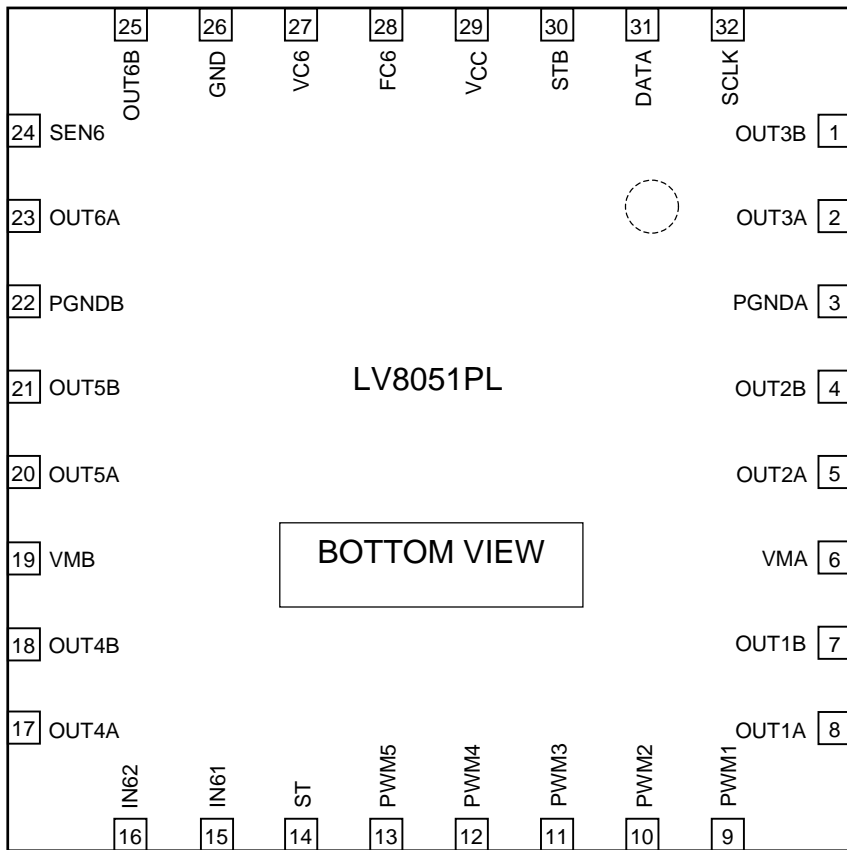
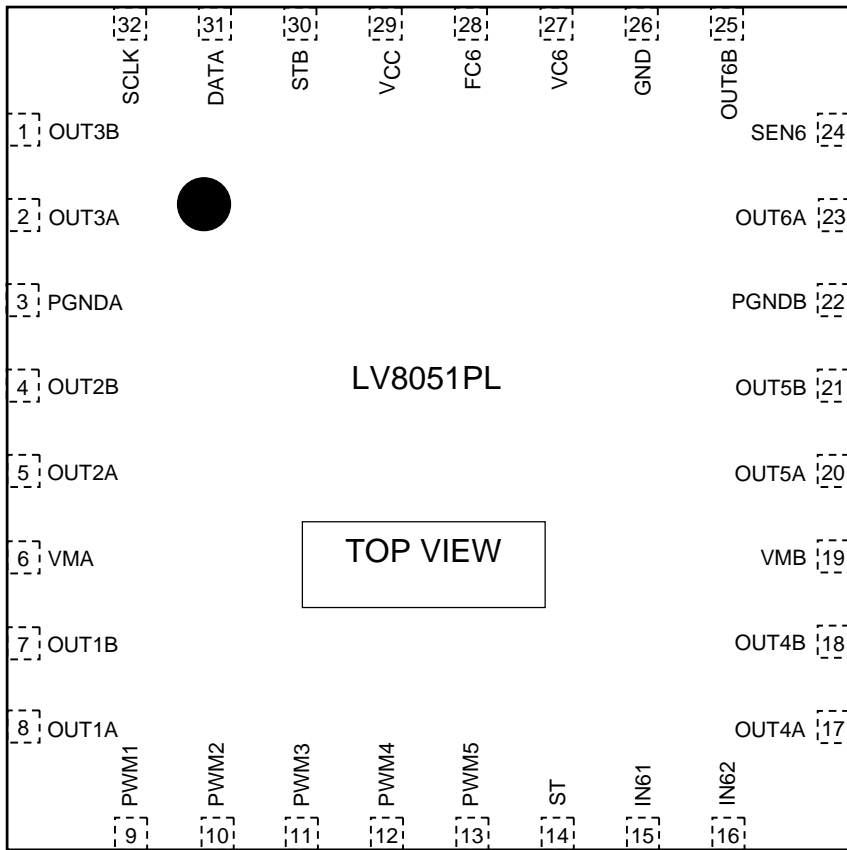
unit : mm (typ)

3331

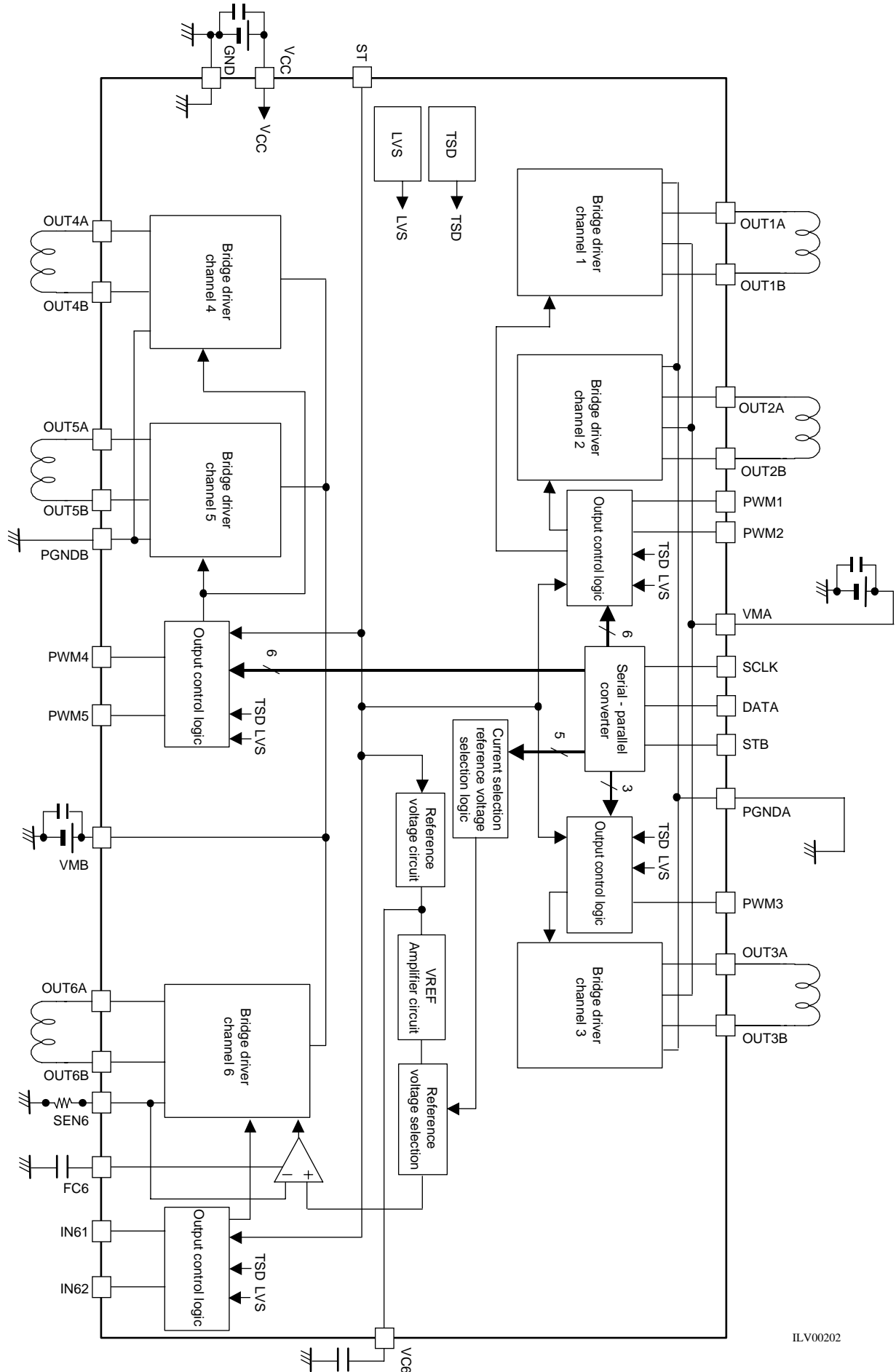


# LV8051PL

## Pin Assignment / VQLP32



Block Diagram



ILV00202

# LV8051PL

## Pin Function

Pin No.	Pin name	Pin function
6	VMA	PWM: Channels 1, 2 and 3 motor power supply connection
8	OUT1A	PWM: Channel 1 OUTA output
7	OUT1B	PWM: Channel 1 OUTB output
9	PWM1	PWM: Channel 1 PWM signal input
5	OUT2A	PWM: Channel 2 OUTA output
4	OUT2B	PWM: Channel 2 OUTB output
10	PWM2	PWM: Channel 2 PWM signal input
2	OUT3A	PWM: Channel 3 OUTA output
1	OUT3B	PWM: Channel 3 OUTB output
11	PWM3	PWM: Channel 3 PWM signal input
3	PGNDA	PWM: Channels 1, 2 and 3 power ground
19	VMB	PWM: Channels 4, 5 constant current, Channel 6 motor power supply connection
17	OUT4A	PWM: Channel 4 OUTA output
18	OUT4B	PWM: Channel 4 OUTB output
12	PWM4	PWM: Channel 4 PWM signal input
20	OUT5A	PWM: Channel 5 OUTA output
21	OUT5B	PWM: Channel 5 OUTB output
13	PWM5	PWM: Channel 5 PWM signal input
22	PGNDB	PWM: Channels 4, 5 power ground
23	OUT6A	Constant current drive: Channel 6 OUTA output
25	OUT6B	Constant current drive: Channel 6 OUTB output
24	SEN6	Constant current drive: Channel 6 current sensing resistor connection
15	IN61	Constant current drive: Channel 6 logic input pin 1
16	IN62	Constant current drive: Channel 6 logic input pin 2
28	FC6	Constant current drive: Channel 6 phase compensation capacitor connection
27	VC6	Constant current drive: Channel 6 start-up correction capacitor connection
32	SCLK	Serial data transfer clock input
31	DATA	Serial data input
30	STB	Serial data latch pulse input
14	ST	Chip enable
29	VCC	Logic system power connection
26	GND	Signal system ground

## Serial Data Input Specifications

### Register (D1, D0): Data transfer Address register selections

D1	D0	Mode
0	0	PWM Channel 1 and 2 settings
0	1	PWM Channels 3 and 4 settings
1	0	PWM Channel 5 settings
1	1	Constant current channel 6 reference voltage/ PWM mode switch settings

Select the register for setting the state of each motor driver by setting the serial data (D1, D0) as shown above.

### PWM Channel 1 and 2 settings

Register No.	Data	Symbol	Functions
D0	0	REG_SELECT1	Register selection 1
D1	0	REG_SELECT2	Register selection 2
D2	0 or 1	MODE1	Channel 1 input mode selection
D3	0 or 1	MODE2	Channel 2 input mode selection
D4	0 or 1	IN1A	Channel 1 input a
D5	0 or 1	IN1B	Channel 1 input b
D6	0 or 1	IN2A	Channel 2 input a
D7	0 or 1	IN2B	Channel 2 input b

### PWM Channel 3 and 4 settings

Register No.	Data	Symbol	Functions
D0	1	REG_SELECT1	Register selection 1
D1	0	REG_SELECT2	Register selection 2
D2	0 or 1	MODE3	Channel 3 input mode selection
D3	0 or 1	MODE4	Channel 4 input mode selection
D4	0 or 1	IN3A	Channel 3 input a
D5	0 or 1	IN3B	Channel 3 input b
D6	0 or 1	IN4A	Channel 4 input a
D7	0 or 1	IN4B	Channel 4 input b

### PWM Channel 5 settings

Register No.	Data	Symbol	Functions
D0	0	REG_SELECT1	Register selection 1
D1	1	REG_SELECT2	Register selection 2
D2	0 or 1	MODE5	Channel 5 input mode selection
D3	0 or 1	(DUMMY)	(Dummy data)
D4	0 or 1	IN5A	Channel 5 input a
D5	0 or 1	IN5B	Channel 5 input b
D6	0 or 1	(DUMMY)	(Dummy data)
D7	0 or 1	(DUMMY)	(Dummy data)

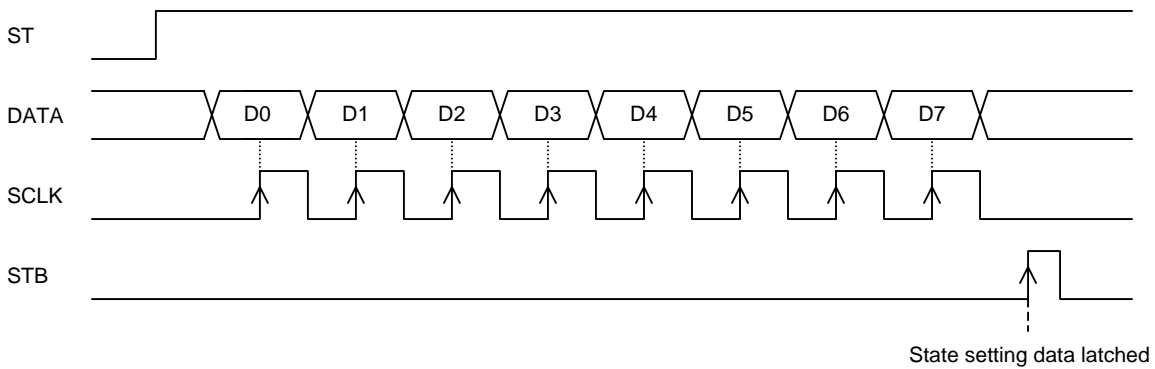


# LV8051PL

## Constant Current Channel 6 Reference Voltage/ PWM Mode Switch Settings

Register No.	Data	Symbol	Functions
D0	1	REG_SELECT1	Register selection 1
D1	1	REG_SELECT2	Register selection 2
D2	0 or 1	VSEN1	Current control reference voltage selection 1
D3	0 or 1	VSEN2	Current control reference voltage selection 2
D4	0 or 1	VSEN3	Current control reference voltage selection 3
D5	0 or 1	VSEN4	Current control reference voltage selection 4
D6	0 or 1	VSEN5	Current control reference voltage selection 5
D7	0 or 1	PWMOFF	PWM control mode switch control

## Serial Data Input Settings



Data is input in order from data bit 0 to data bit 7. Data is transferred on the rising edge of the clock signal and after all the data has been transferred, it is latched on the rising edge of the STB signal. The data is reflected in the output simultaneously with the STB signal.

Note: When ST is low level and at the  $V_{CC}$  low-voltage cut voltage, all serial data is reset to 0.  
(At initialization all register data is set to 0.)

# LV8051PL

## PWM Drive Forward/Reverse Drivers (Channels 1, 2, 3, 4 and 5)

### PWM Control I/O Logic Truth Table

MODE<sub>x</sub>= "0", PWMOFF= "0"

Input			Output		Operating Mode
INxA	INxB	PWMx	OUTxA	OUTxB	
0	0	*	OFF	OFF	Standby
0	1	L	L	H	Counterclockwise (reverse)
0	1	H	L	L	Short-circuit braking
1	0	L	H	L	Clockwise (forward)
1	0	H	L	L	Short-circuit braking
1	1	*	L	L	Short-circuit braking

MODE<sub>x</sub>= "0", PWMOFF= "1"

Input			Output		Operating Mode
InxA	InxB	PWMx	OUTxA	OUTxB	
0	0	*	OFF	OFF	Standby
0	1	L	L	H	Counterclockwise (reverse)
0	1	H	OFF	OFF	Standby
1	0	L	H	L	Clockwise (forward)
1	0	H	OFF	OFF	Standby
1	1	*	L	L	Short-circuit braking

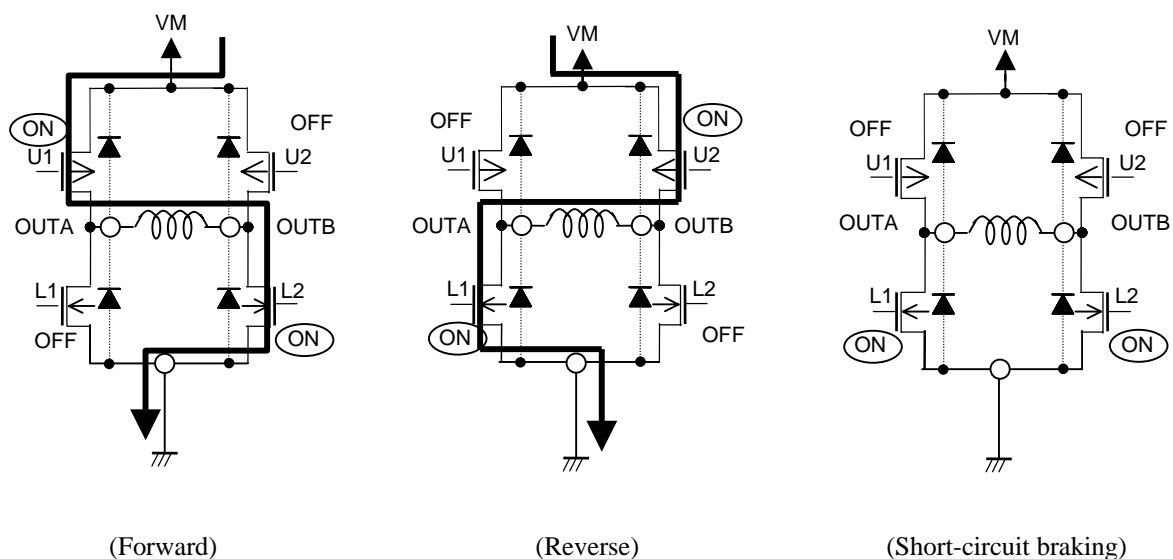
PWMOFF(D7): When in PWM control mode, it is possible to switch among Forward (Reverse) – Braking and Forward (Reverse) – Standby. However, it switches channels 1 through 5 at the same time.

MODE<sub>x</sub>= "1", PWMOFF= "\*"

Input			Output		Operating Mode
InxA	InxB	PWMx	OUTxA	OUTxB	
0	*	*	OFF	OFF	Standby
1	0	L	H	L	Clockwise (forward)
1	0	H	L	H	Counterclockwise (reverse)
1	1	*	L	L	Short-circuit braking

\*: Don't care      x: Xch

### Output stage transistor functions



# LV8051PL

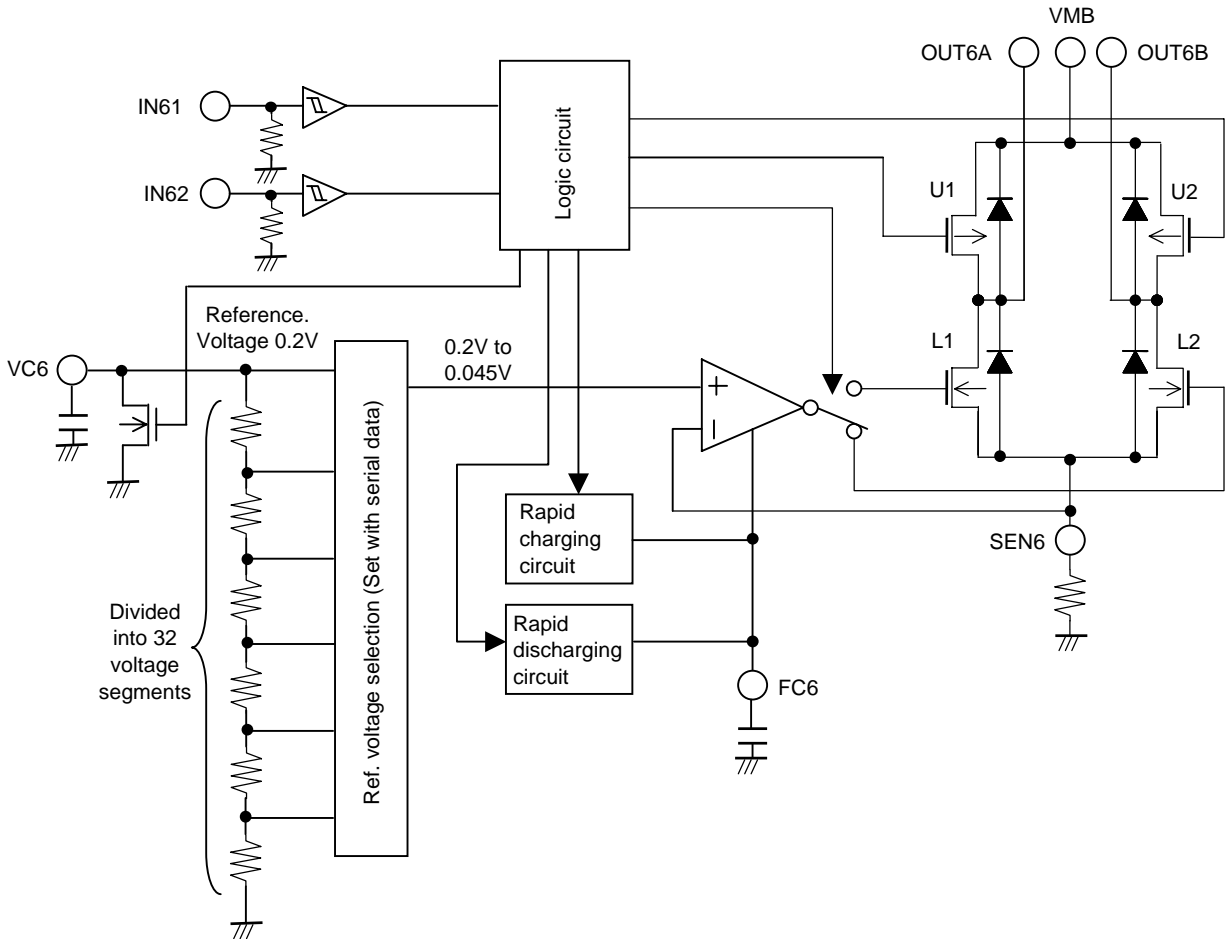
## Constant Current Forward/Reverse Motor Driver (Channel 6)

### Truth Table

Input		Output		Mode
IN61	IN62	OUT6A	OUT6B	
L	L	OFF	OFF	Standby
L	H	H	L	Clockwise (forward)
H	L	L	H	Counterclockwise (reverse)
H	H	L	L	Short-circuit braking

### Reference Voltage Settings: 5 bits (D1,D0 = 1,1)

D6 (VSEN5)	D5 (VSEN4)	D4 (VSEN3)	D3 (VSEN2)	D2 (VSEN1)	Current setting reference voltage
0	0	0	0	0	0.200V
0	0	0	0	1	0.195V
0	0	0	1	0	0.190V
0	0	0	1	1	0.185V
0	0	1	0	0	0.180V
0	0	1	0	1	0.175V
0	0	1	1	0	0.170V
0	0	1	1	1	0.165V
0	1	0	0	0	0.160V
0	1	0	0	1	0.155V
0	1	0	1	0	0.150V
0	1	0	1	1	0.145V
0	1	1	0	0	0.140V
0	1	1	0	1	0.135V
0	1	1	1	0	0.130V
0	1	1	1	1	0.125V
1	0	0	0	0	0.120V
1	0	0	0	1	0.115V
1	0	0	1	0	0.110V
1	0	0	1	1	0.105V
1	0	1	0	0	0.100V
1	0	1	0	1	0.095V
1	0	1	1	0	0.090V
1	0	1	1	1	0.085V
1	1	0	0	0	0.080V
1	1	0	0	1	0.075V
1	1	0	1	0	0.070V
1	1	0	1	1	0.065V
1	1	1	0	0	0.060V
1	1	1	0	1	0.055V
1	1	1	1	0	0.050V
1	1	1	1	1	0.045V



**Start-up correction function (VC6)**

A capacitor is connected to terminal VC6 and by controlling the rate at which the reference voltage rises, it corrects the start-up waveform of the coil. By doing this, stable shutter operation can be carried out with respect to the power supply variations.

For the start-up correction, check the coil current start-up wave for the VM reduced voltage when there is no VC6 capacitor and choose a capacitor so that the decay time constant is lower than this wave.

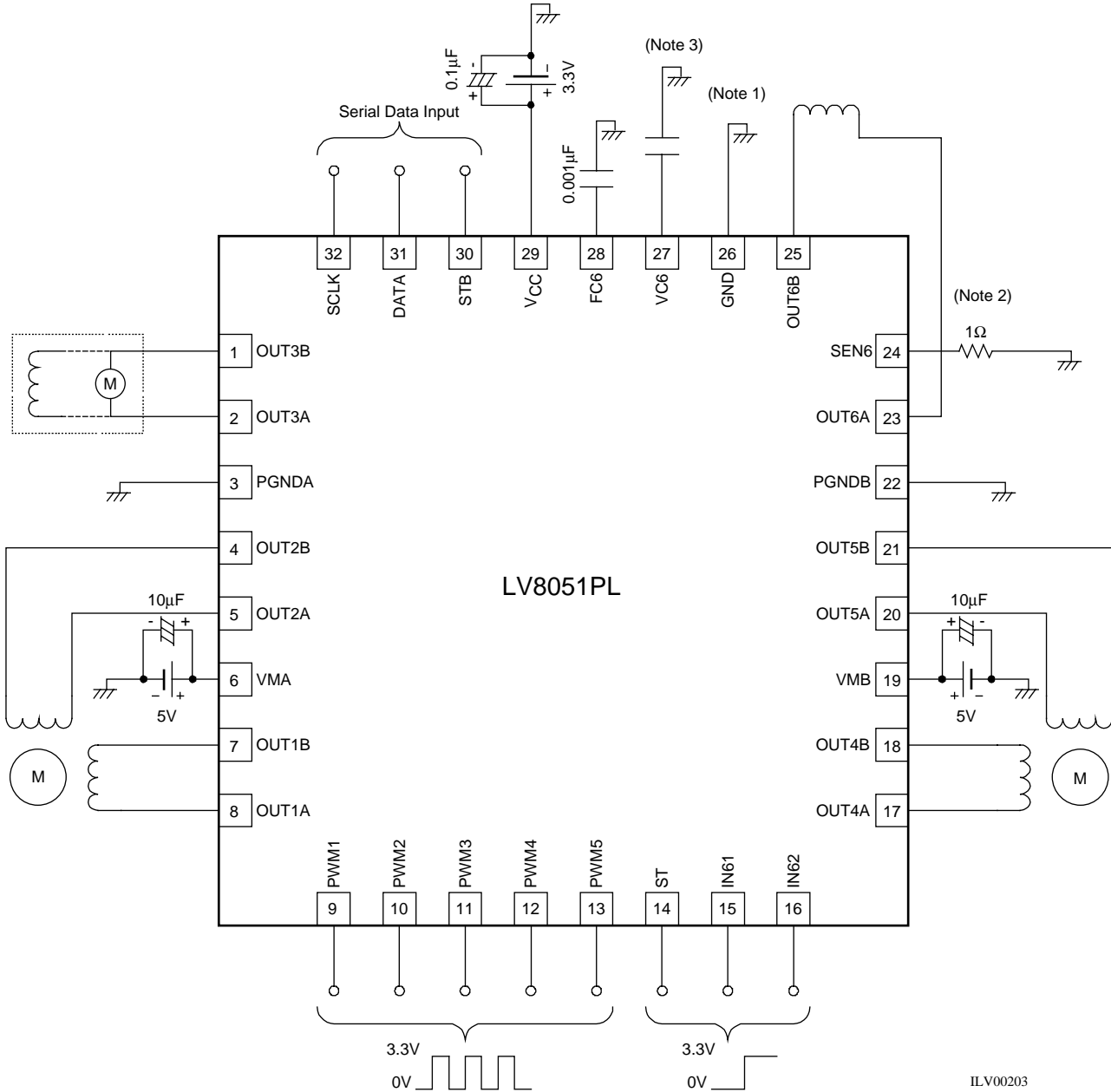
However, when power supply voltage is stable or the start-up correction function is not required, the start-up correction capacitor is not necessary.

# LV8051PL

## Recommended Application Circuit

The value at each pixel is a recommended value. Check the allowable operation range described previously for the values of each input condition.

- 1ch/2ch STM
- 3ch DCM/VCM
- 4ch/5ch STM
- 6ch VCM



Note 1: We recommend one-point grounding wherever possible.

Note 2: A 1Ω resistor is connected to the SEN6 pin. This gives an output current of 200mA when the reference voltage is set to 0.2V.

Note 3: The VC6 capacitor is optional. This pin must be held open when the capacitor is not to be used.

- SANYO Semiconductor Co.,Ltd. assumes no responsibility for equipment failures that result from using products at values that exceed, even momentarily, rated values (such as maximum ratings, operating condition ranges, or other parameters) listed in products specifications of any and all SANYO Semiconductor Co.,Ltd. products described or contained herein.
- SANYO Semiconductor Co.,Ltd. strives to supply high-quality high-reliability products, however, any and all semiconductor products fail or malfunction with some probability. It is possible that these probabilistic failures or malfunction could give rise to accidents or events that could endanger human lives, trouble that could give rise to smoke or fire, or accidents that could cause damage to other property. When designing equipment, adopt safety measures so that these kinds of accidents or events cannot occur. Such measures include but are not limited to protective circuits and error prevention circuits for safe design, redundant design, and structural design.
- In the event that any or all SANYO Semiconductor Co.,Ltd. products described or contained herein are controlled under any of applicable local export control laws and regulations, such products may require the export license from the authorities concerned in accordance with the above law.
- No part of this publication may be reproduced or transmitted in any form or by any means, electronic or mechanical, including photocopying and recording, or any information storage or retrieval system, or otherwise, without the prior written consent of SANYO Semiconductor Co.,Ltd.
- Any and all information described or contained herein are subject to change without notice due to product/technology improvement, etc. When designing equipment, refer to the "Delivery Specification" for the SANYO Semiconductor Co.,Ltd. product that you intend to use.
- Information (including circuit diagrams and circuit parameters) herein is for example only; it is not guaranteed for volume production.
- Upon using the technical information or products described herein, neither warranty nor license shall be granted with regard to intellectual property rights or any other rights of SANYO Semiconductor Co.,Ltd. or any third party. SANYO Semiconductor Co.,Ltd. shall not be liable for any claim or suits with regard to a third party's intellectual property rights which has resulted from the use of the technical information and products mentioned above.

This catalog provides information as of March, 2007. Specifications and information herein are subject to change without notice.