

### Specifications

Conductor Resistance: 222Ω/km max.  
 Insulation Resistance: 5MΩ min. (km)  
 Dielectric Strength: 2,000V AC / minute  
 Flame Resistance: VW-1

### Materials and Finish

Insulation: PVC  
 Conductor: 28 AWG (7/0.127mm) stranded copper wire  
 Shielding: Aluminium foil together with a 28 AWG drain wire  
 Jacket: PVC colour black



### Features

- ⇨ Flat 50MIL (1.27mm) Cable, jacketed and shielded
- ⇨ Thin PVC jacket designed for external equipment applications
- ⇨ Aluminium shielding on each side which minimizes RFI / EMI
- ⇨ UL Style No. 2912

### Part Number (Details)

**FS-FLEX - B \*\* - 7/0.127 ALV**

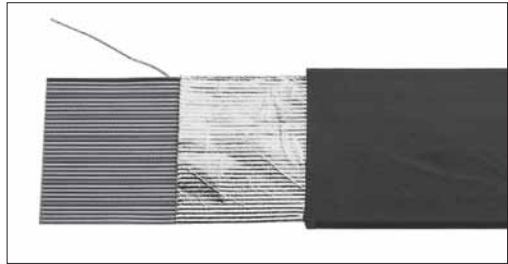
Cable Series

Number of Conductors

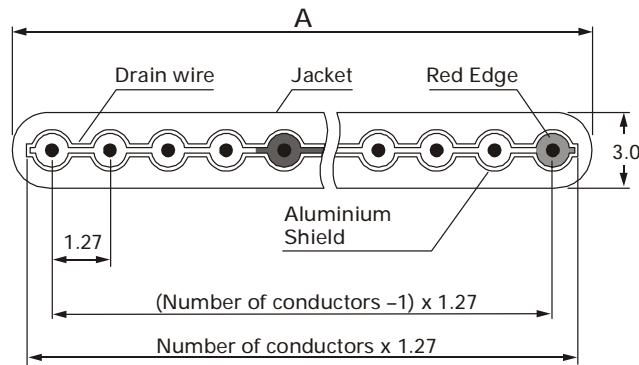
Aluminium Shield

### Standard Cable Length

⇨ 61 meters per coil



### Cable Dimensions



Following versions available on request, minimum order quantity may be required

Part Number	No. of Conductors	Dim 'A'	Part Number	No. of Conductors	Dim 'A'
FS-FLEX-B 8-7/0.127 ALV	8	13.6	FS-FLEX-B 30-7/0.127 ALV	30	40.1
FS-FLEX-B 10-7/0.127 ALV	10	16.0	FS-FLEX-B 34-7/0.127 ALV	34	46.5
FS-FLEX-B 14-7/0.127 ALV	14	21.2	FS-FLEX-B 36-7/0.127 ALV	36	49.0
FS-FLEX-B 16-7/0.127 ALV	16	22.6	FS-FLEX-B 40-7/0.127 ALV	40	54.0
FS-FLEX-B 20-7/0.127 ALV	20	28.7	FS-FLEX-B 50-7/0.127 ALV	50	66.8
FS-FLEX-B 25-7/0.127 ALV	25	35.1	FS-FLEX-B 60-7/0.127 ALV	60	79.5
FS-FLEX-B 26-7/0.127 ALV	26	36.3	FS-FLEX-B 64-7/0.127 ALV	64	84.6