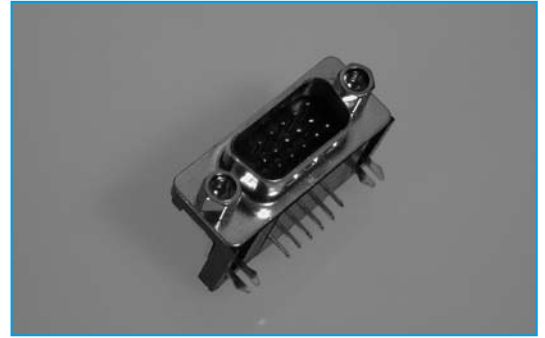


## D TYPE CONNECTORS LOW COST

- 15, 26, 44, 62 way
- Stamped & Formed Contacts
- Gold Plated Contacts
- Tin Plated Metal Housing
- Low Cost
- Complete with Boardlocks + Screwlocks

## HIGH DENSITY PCB RIGHT ANGLE



### SPECIFICATION

#### Material

**Insulator:** PBT +30% Glass Fibre  
UL94V-0

**Pin Contact:** Phosphor Bronze  
Gold Plated

**Shell:** Steel, SPCC  
Nickel and Tin Plated

**Rating Current:** 350V AC

**Rated Current:** 5A

**Withstand Voltage:** 500V AC(rms)

**Contact Resistance:** 5 mΩ at 1A

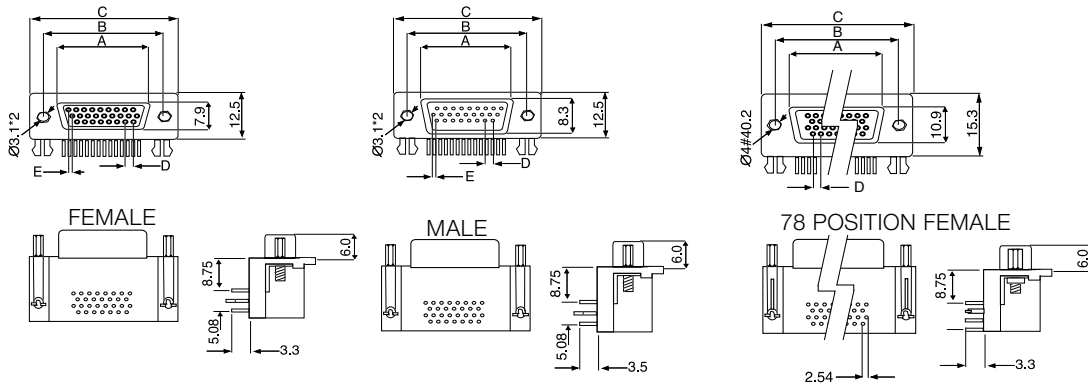
**Insulation Resistance:** Over 1000MΩ

**Temperature:** -20°C to to 100°C

SECTION 11

### OUTLINE DRAWING

#### Electrical Data



POSITION	A	B	C	D	E
15F	16.30	25.00	30.8	2.29	1.145
26F	24.60	33.30	39.2	2.29	1.145
44F	38.30	47.10	53.1	2.29	1.145
62F	54.80	63.50	69.4	2.41	1.205
78F	52.0	61.00	67.0	2.41	-

POSITION	A	B	C	D	E
15M	16.92	25.00	30.8	2.29	1.145
26M	25.25	33.30	39.2	2.29	1.145
44M	38.96	47.10	53.1	2.29	1.145
62M	55.42	63.50	69.4	2.41	1.205

### ORDERING INFORMATION

DBC	HD	F	SR	26	G
Dubilier Connectors	Series	Contact Type	Contact Style	No of Ways	Contact Plating
	HD = High Density Stamped & Formed	M = Male F = Female	SR = PCB Right Angle	15 = 15 ways 26 = 26 ways 44 = 44ways 62 = 62ways	G = Gold Flash