

1 | 2

3

4

NOTES:

- MATERIAL:  
CONTACTS—COPPER ALLOY  
SHELL—COPPER ALLOY  
HOUSING—UL 94-V-0 RATED THERMOPLASTIC.
- PLATING:  
CONTACTS—0.76um MINIMUM GLOD FLASH OVER PALLADIUM  
NICKEL IN CONTACT AREA OR 0.76um MIN GOLD FLASH  
3.8um MINIMUM TIN—LEAD ON SOLDER TAILS  
ALL OVER 1.27um MINIMUM NICKEL.  
SHELL, 5um MINIMUM BRIGHT TIN  
OVER 2.5um MINIMUM NICKEL.

③ DATUM AND BASIC DIMENSIONS ESTABLISHED BY CUSTOMER.

4. RECOMMENDED PC BOARD THICKNESS OF 1.57mm.

5. P/N SEE PRODUCT NUMBER CODE.  
( TO BE CONTINUED)

Tous droits strictement reserves. Reproduction ou communication a des tiers interdite sous quelque forme que ce soit sans autorisation ecrite du proprietaire. Propriete de © BERG ELECTRONICS. Droits de reproduction BERG ELECTRONICS INC.

All rights strictly reserved. Reproduction or issue to third parties in any form whatever is not permitted without written authority from the proprietor. Property of © BERG ELECTRONICS Copyright BERG ELECTRONICS INC.

mat'l. code NOTE 1 & 2				tolerances unless otherwise specified		CUSTOMER COPY	FCJ www.fcjconnect.com	title UNIV. SERIAL BUS DOUBLE DECK RECEPTACLE
ltr	ecn no	dr	date	linear	angles			
AC	N05-0068	PH	03/09/05	.X ±.30	0° ±3°	mm	product family USB	code -
AD	N05-0106	PH	04/13/05	.XX ±.20				
AE	N06-0101	HB	04/13/06	.XXX ±.10		size A4	72309	1 of 4
AF	N06-0133	HB	05/17/06	PETER	12/10/97			
AG	N08-0198	R.B	2008/09/10	R Y LIU	12/10/97	size A4	72309	1 of 4
AH	N08-0238	R.B	2008/11/01	R Y LIU	12/10/97			
			11/09/04	JENN TSAO	12/10/97	size A4	72309	1 of 4
sheet	revision							
index	sheet					size A4	72309	1 of 4

form no. 7530-001-103

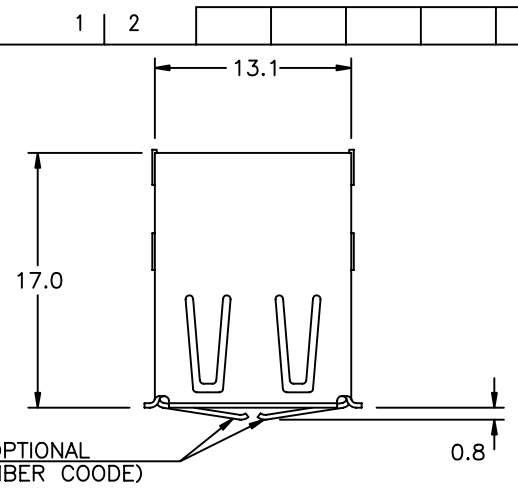
1 | 2

PDM: Rev:AH

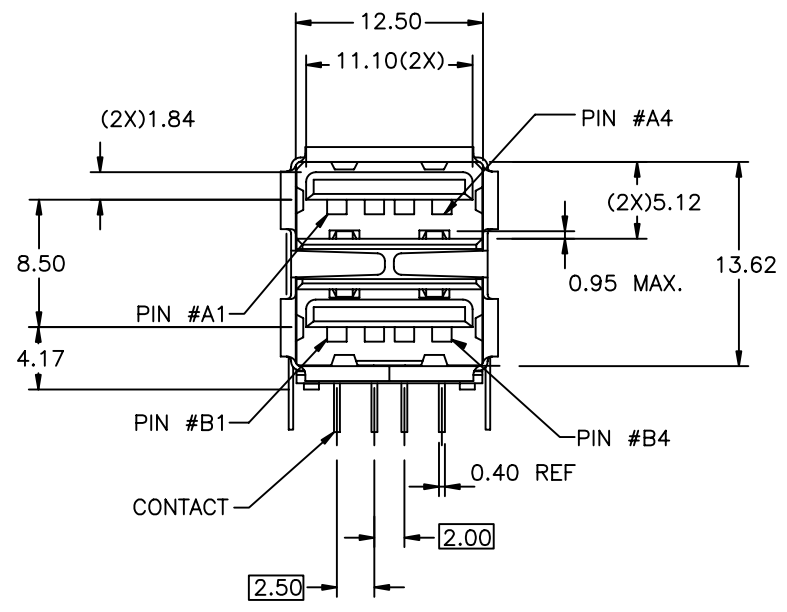
3

STATUS: Released 2008 Nov 07, 2008

4

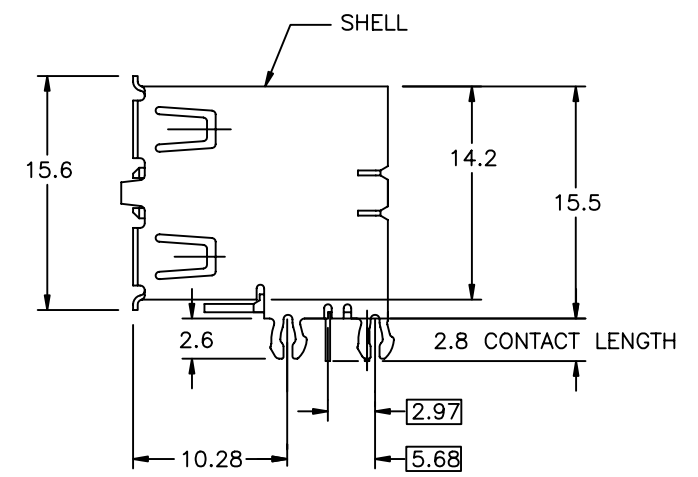


CONTACT ARMS OPTIONAL  
(SEE PRODUCT NUMBER CODE)

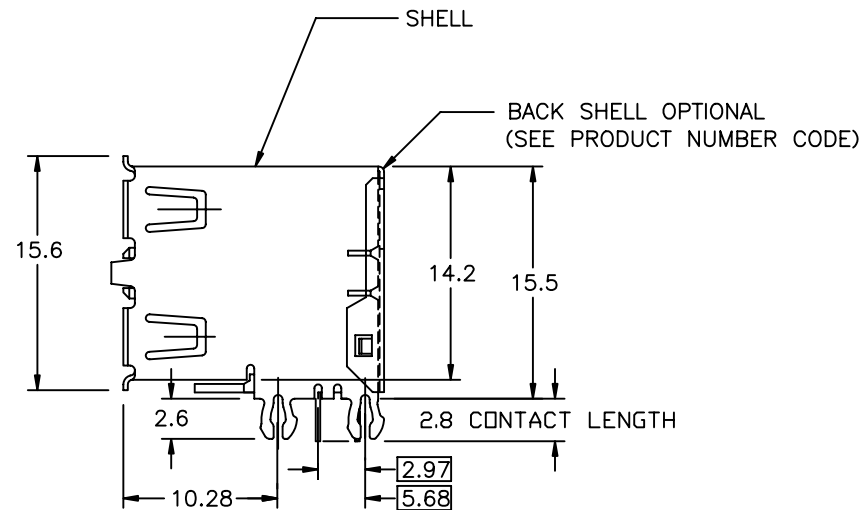
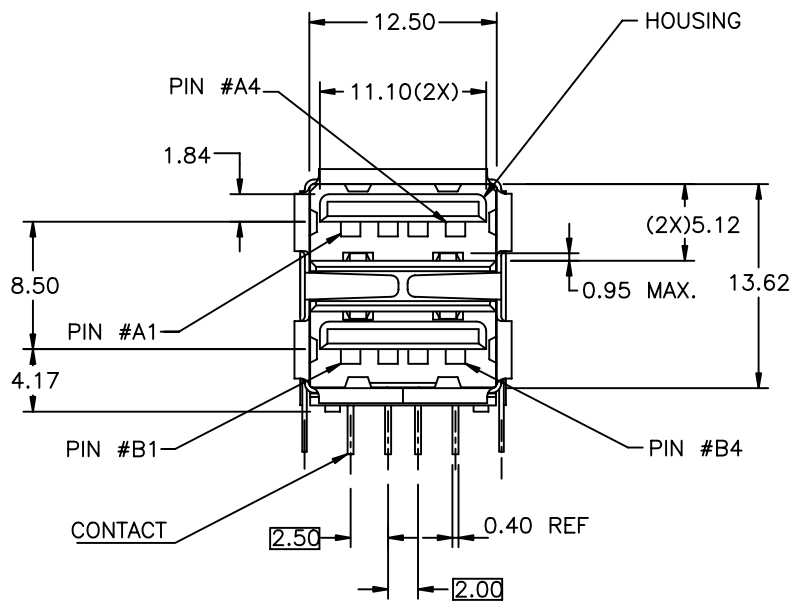
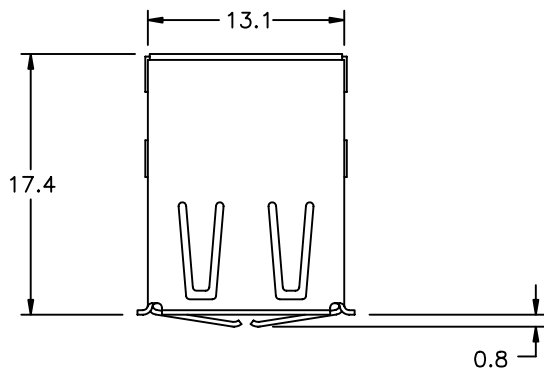


ASSEMBLY WITHOUT BACK SHIELD  
72309-XX3XX SHOWN

- (CONTINUED)
- FOR LEAD FREE P/N, A LEAD FREE LABEL WILL APPEAR AT PACKING.
  - FOR LEAD FREE P/N, THE HOUSING WILL WITHSTAND EXPOSURE TO 260°C PEAK TEMPERATURE FOR 40 SECONDS IN A CONVECTION, INFRA-RED OR VAPOR PHASE REFLOW OVEN.
  - FOR LEAD FREE P/N, THE PRODUCT MEET EUROPEAN UNION DIRECTIVES AND OTHER COUNTRY REGULATION AS DESCRIBED IN GS-22-008



mat'l. code				tolerances unless otherwise specified			CUSTOMER COPY		FCI		
ltr	ecn no	dr	date	linear	.X ±.30		projection	www.fciconnect.com			
AH					.XX ±.20			title	UNIV. SERIAL BUS		
					.XXX ±.10				mm	DOUBLE DECK RECEPTACLE	
				angles	0° ±3°		scale	product family		code	
				dr	PETER PAM	12/10/97		USB		-	
				engr	R Y LIU	12/10/97		size		sheet	
				chr	R Y LIU	12/10/97		dwg no		2 of 4	
				appd	JENN TSAO	12/10/97		A4		72309	
sheet index	revision sheet						2 : 1				



ASSEMBLY WITH BACK SHIELD  
72309 - XX4XX SHOWN

mat'l. code				tolerances unless otherwise specified			CUSTOMER COPY		FCJ www.fciconnect.com	
ltr	ecn no	dr	date	linear	.X ±.30		projection	title		
AH					.XX ±.20			UNIV. SERIAL BUS		
					.XXX ±.10			DOUBLE DECK RECEPTACLE		
				angles	0° ±3°		mm	product family		code
				dr	PETER PAM	12/01/97		USB		-
				engr	R Y LIU	12/10/97		size		sheet
				chr	R Y LIU	12/10/97		72309		3 of 4
				appd	JENN TSAO	12/10/97	scale	A4		
sheet index		revision sheet					2 : 1			

PDM: Rev:AH

STATUS: Released 2008 Nov 07, 2008

Tous droits strictement reserves. Reproduction ou communication a des tiers interdite sous quelque forme que ce soit sans autorisation ecrite du proprietaire. Propriete de ©BERG ELECTRONICS. Droits de reproduction BERG ELECTRONICS INC.



All rights strictly reserved. Reproduction or issue to third parties in any form whatever is not permitted without written authority from the proprietor. Property of ©BERG ELECTRONICS Copyright BERG ELECTRONICS INC.

1 | 2

3

4

PRODUCT NUMBER CODE

72309 - X X X X X P S LF

BASE PRODUCT NUMBER  
 HOUSING COLOR + SHELL PLATING OPTIONS  
 0 - WHITE + NICKEL & TIN LEAD PLATING  
 1 - BLACK + NICKEL & TIN LEAD PLATING  
 2 - WHITE + NICKEL PLATING ONLY  
 3 - BLACK + NICKEL PLATING ONLY  
 4 - WHITE + NICKEL PLATING ONLY + LCP HSG  
 5 - BLACK + NICKEL PLATING ONLY + LCP HSG  
 6 - BLACK + NICKEL & TIN LEAD PLATING + LCP HSG  
 7 - BLACK + NICKEL & BRIGHT TIN PLATING  
 8 - WHITE + NICKEL & BRIGHT TIN PLATING  
 9 - BLACK + NICKEL & BRIGHT TIN PLATING +LCP HSG  
 A - BLACK + NICKEL & MATTE TIN PLATING +LCP HSG  
 S - BLACK + NICKEL PLATING ONLY + LCP HSG

SHELL PLATING OPTION  
 0 - BARREL-PLATING  
 1 - PRE-PLATING

SHELL OPTIONS  
 1 - NO BACK SHIELD, NO ARMS, FRONT GROUNDING ARMS  
 2 - BACK SHIELD, NO FRONT GROUNDING ARMS  
 3 - NO BACK SHIELD, FRONT GROUNDING ARMS  
 4 - BACK SHIELD, FRONT GROUNDING ARMS

TERMINAL OPTION  
 0 - 50u" Ni UNDERPLATE,30u" GXT CONTACT AREA,100u" TIN/LEAD TAIL AREA  
 2.80mm TAIL LENGTH  
 2 - 50u" Ni UNDERPLATE,30u" GOLD CONTACT AREA,100u" TIN/LEAD TAIL AREA  
 2.80mm TAIL LENGTH  
 3 - 50u" Ni UNDERPLATE,30u" GOLD CONTACT AREA,100u" MATTE TIN TAIL AREA  
 2.80mm TAIL LENGTH  
 4 - 50u" Ni UNDERPLATE,30u" GXT CONTACT AREA,100u" MATTE TIN TAIL AREA  
 2.80mm TAIL LENGTH  
 5 - 50u" Ni UNDERPLATE,30u" GOLD CONTACT AREA,100u" MATTE TIN TAIL AREA  
 3.94mm TAIL LENGTH

PACKAGING OPTIONS  
 B - TUBES  
 R - TAPE & REEL

WITH DATE CODE

ONLY FOR PANASONIC

LEAD FREE MARK

LEAD FREE CONVERSION RULES -  
 HOUSING COLOR AND SHELL PLATING OPTION: 0 TO 8, 1 TO 7, 6 TO 9  
 TERMINAL PLATING OPTION: 0 TO 4, 2 TO 3  
 SPECIFIC SHELL MATERIAL FOR 12K CYCLES DURABILITY,  
 PART NUMBER: 72309-S033XPLF/-S034XPLF

NOTE:

AVAILABLE P/N'S IN FCI NOW FOLLOWED:

72309-0010X/8014XLF 72309-2010X/2014XLF  
 72309-0012X/8013XLF 72309-2012X/2013XLF  
 72309-0020X/8024XLF 72309-2020X/2024XLF  
 72309-0022X/8023XLF 72309-2022X/2023XLF  
 72309-0030X/8034XLF 72309-2030X/2034XLF  
 72309-0032X/8033XLF 72309-2032X/2033XLF  
 72309-0040X/8044XLF 72309-2040X/2044XLF  
 72309-0042X/8043XLF 72309-2042X/2043XLF  
 72309-1010X/7014XLF 72309-3010X/3014XLF  
 72309-1012X/7013XLF 72309-3012X/3013XLF  
 72309-1020X/7024XLF 72309-3020X/3024XLF  
 72309-1022X/7023XLF 72309-3022X/3023XLF  
 72309-1030X/7034XLF 72309-3030X/3034XLF  
 72309-1032X/7033XLF 72309-3032X/3033XLF  
 72309-1040X/7044XLF 72309-3040X/3044XLF  
 72309-1042X/7043XLF 72309-3042X/3043XLF  
 72309-0110X/8114XLF 72309-4040X/4044XLF  
 72309-0112X/8113XLF 72309-5012X/5013XLF  
 72309-0120X/8124XLF 72309-5030X/5034XLF  
 72309-0122X/8123XLF 72309-5040X/5044XLF/5044XSLF  
 72309-0130X/8134XLF 72309-5140X/5144XLF  
 72309-0132X/8133XLF 72309-6220X/9224XLF  
 72309-0140X/8144XLF 72309-A034XLF  
 72309-0142X/8143XLF 72309-3015XPLF  
 72309-1110X/7114XLF 72309-3045XPLF  
 72309-1112X/7113XLF 72309-S033XPLF  
 72309-1120X/7124XLF 72309-S034XPLF  
 72309-1122X/7123XLF  
 72309-1130X/7134XLF  
 72309-1132X/7133XLF  
 72309-1140X/7144XLF  
 72309-1142X/7143XLF

Tous droits strictement reserves. Reproduction ou communication a des tiers interdite sous quelque forme que ce soit sans autorisation ecrite du proprietaire. Propriete de ©BERG ELECTRONICS. Droits de reproduction BERG ELECTRONICS INC.

All rights strictly reserved. Reproduction or issue to third parties in any form whatever is not permitted without written authority from the proprietor. Property of ©BERG ELECTRONICS Copyright BERG ELECTRONICS INC.

mat'l. code NOTE 1 & 2				tolerances unless otherwise specified			CUSTOMER COPY		FCI www.fciconnect.com		
ltr	ecn no	dr	date	linear				projection	title UNIV. SERIAL BUS		
AH					angles				DOUBLE DECK RECEPTACLE		
				dr	FUSSELMAN	5/10/96	mm	product family USB	code		
				enrg	J. DAVID	5/10/96			size	-	
				chr	J.DAVID	6/29/96			scale	sheet	
				appd	J.DAVID	6/29/96			2:1	4 of 4	
sheet index	revision sheet										

form no. 7530-001-103

1 | 2

PDM: Rev:AH

3

STATUS: Released 2008 Nov 07, 2008

4