

# Hollow Shaft Type Devices

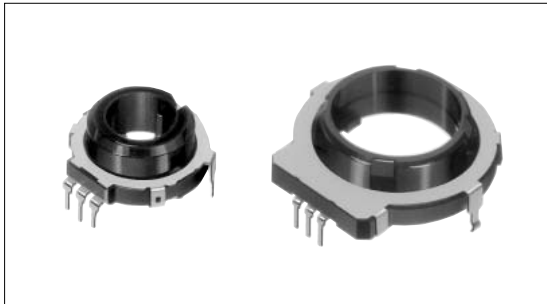
## Hollow Shaft Type

SRGP Series



Hollow-center shaft encoder enabling various combinations.

Hollow Shaft  
Type Devices



### Typical Specifications

Items		Specifications
Rating (max.) (min.) (Resistive load)		10mA 5V DC/50 $\mu$ A 3V DC
Output voltage		1V max. at 1mA 5V DC (Resistive load)
Operating life	Without load	50,000cycles
	With load	50,000cycles

### Product Line

Detent torque (mN·m)	Number of detent	Number of pulse	Operating direction	Minimum order unit ( pcs. )	Product No.	Drawing No.
7 $\pm$ 3	20	10	Vertical	1,000	SRGP200200	1
13 $\pm$ 4	16	16		600	SRGPWJ0500	2
6.5 $\pm$ 4	32				SRGPWJ0200	

### Notes

1. Products other than those listed in the above chart are also available. Please contact us for details.
2. It is requested that the order placed be an integer multiple of the minimum order units. For export packing, please consult us.

Encoder  
Type

Potentiometer  
Type





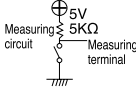


## List of Varieties

Hollow Shaft  
Type Devices

Encoder  
Type

Potentiometer  
Type

Type		Hollow type			
		17mm size		22mm size	30mm size
Series		SRGP30	SRGP40	SRGP20	SRGPWJ
Photo					
Output		Incremental			
Outline specifications	Shaft types	Hollow shaft			
	Operating direction	Vertical			
	Number of pulse/ Number of detent	9/18	12/24	10/20	16/16 16/32
	Push switch (Travel mm)	Without			
	Optional functions	_____			
	Changeover angle	20°	15°	18°	22.5°
Dimensions (mm)	W	17.5		23.6	31.8
	D	18.5	18.25	23	32
	H	2.3	1.55	4.5	
Soldering	Manual soldering	350 ± 5 , 3s max.	350 ± 10 , 3 ± 1s max.	350 ± 10 , 3 ± 1s	
	Dip soldering	_____		260 ± 5 , 5 ± 1s	
	Reflow soldering	Please see P.198			
Maximum operating current( Resistive load)		-10 to +60		-40 to +85	
Electrical performance	Output wave	1V max. at 5V DC, 1mA ( resistive load ) 			
	Insulation resistance	100M min. 100V DC			
	Voltage proof	100V AC for 1minute			
Mechanical performance	Rotational torque	5 ± 2.5mN· m	2 ± 1mN· m	7 ± 3mN· m	13 ± 4mN· m
			3.5 ± 1mN· m		
	Terminal strength	_____		5N for 1minute	
	Actuator strength	Rotational direction	20N		40N
Push direction					
Vibration		10 to 55 to 10Hz/min., the amplitude is 1.5mm for all the frequencies, in the 3 direction of X, Y and Z for 2 hours respectively			
Environmental performance	Cold	-40 ± 2 for 96h	-20 ± 2 for 96h		
	Dry heat	85 ± 2 for 96h			
	Damp heat	40 ± 2 , 90 to 95%RH for 96h			
Page		450	451	452	

**Note**

※ The operating temperature range for automotive applications can be raised upon request. Please contact us for requirements of this kind.