



SHROUDED SPLIT BOBBIN HIGH ISOLATION POWER TRANSFORMERS

Parts are UL & CSA Recognized Under UL File E244637

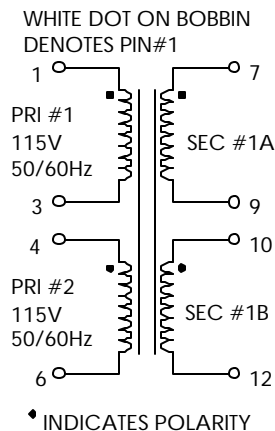
- Ⓔ 115/230V, 50/60Hz Dual Primaries
- Ⓔ Low Capacitive Coupling Minimizes Line Noise
- Ⓔ Dual Secondaries May Be Series -OR- Parallel Connected
- Ⓔ PVD-SERIES 6-SIZES: 2.5 TO 56VA
- Ⓔ 4000Vrms Isolation (Hi-Pot)
- Ⓔ Shrouded Split Bobbin Construction

ELECTRICAL SPECIFICATIONS AT 25°C - OPERATING TEMPERATURE RANGE -25°C TO +80°C

P/N DUAL 115/230V	SIZE (VA)	SECONDARY RMS RATINGS	
		SERIES	PARALLEL
PVD-102	2.5	10V C.T. @ .25A	5V @ .50A
PVD-105	5	10V C.T. @ .50A	5V @ 1.00A
PVD-1010	10	10V C.T. @ 1.00A	5V @ 2.00A
PVD-1020	20	10V C.T. @ 2.00A	5V @ 4.00A
PVD-1030	30	10V C.T. @ 3.00A	5V @ 6.00A
PVD-1056	56	10V C.T. @ 5.60A	5V @ 11.20A
PVD-122	2.5	12.6V C.T. @ .20A	6.3V @ .40A
PVD-125	5	12.6V C.T. @ .40A	6.3V @ .80A
PVD-1210	10	12.6V C.T. @ .80A	6.3V @ 1.60A
PVD-1220	20	12.6V C.T. @ 1.60A	6.3V @ 3.20A
PVD-1230	30	12.6V C.T. @ 2.40A	6.3V @ 4.80A
PVD-1256	56	12.6V C.T. @ 4.40A	6.3V @ 8.80A
PVD-162	2.5	16V C.T. @ .15A	8V @ .30A
PVD-165	5	16V C.T. @ .31A	8V @ .62A
PVD-1610	10	16V C.T. @ .62A	8V @ 1.25A
PVD-1620	20	16V C.T. @ 1.25A	8V @ 2.50A
PVD-1630	30	16V C.T. @ 1.90A	8V @ 3.80A
PVD-1656	56	16V C.T. @ 3.50A	8V @ 7.00A
PVD-202	2.5	20V C.T. @ .12A	10V @ .24A
PVD-205	5	20V C.T. @ .25A	10V @ .50A
PVD-2010	10	20V C.T. @ .50A	10V @ 1.00A
PVD-2020	20	20V C.T. @ 1.00A	10V @ 2.00A
PVD-2030	30	20V C.T. @ 1.50A	10V @ 3.00A
PVD-2056	56	20V C.T. @ 2.80A	10V @ 5.60A

P/N DUAL 115/230V	SIZE (VA)	SECONDARY RMS RATINGS	
		SERIES	PARALLEL
PVD-242	2.5	24V C.T. @ .10A	12V @ .20A
PVD-245	5	24V C.T. @ .21A	12V @ .42A
PVD-2410	10	24V C.T. @ .42A	12V @ .84A
PVD-2420	20	24V C.T. @ .83A	12V @ 1.66A
PVD-2430	30	24V C.T. @ 1.25A	12V @ 2.50A
PVD-2456	56	24V C.T. @ 2.33A	12V @ 4.66A
PVD-282	2.5	28V C.T. @ .09A	14V @ .18A
PVD-285	5	28V C.T. @ .18A	14V @ .36A
PVD-2810	10	28V C.T. @ .36A	14V @ .72A
PVD-2820	20	28V C.T. @ .72A	14V @ 1.44A
PVD-2830	30	28V C.T. @ 1.06A	14V @ 2.12A
PVD-2856	56	28V C.T. @ 2.00A	14V @ 4.00A
PVD-362	2.5	36V C.T. @ .07A	18V @ .14A
PVD-365	5	36V C.T. @ .14A	18V @ .28A
PVD-3610	10	36V C.T. @ .28A	18V @ .56A
PVD-3620	20	36V C.T. @ .56A	18V @ 1.12A
PVD-3630	30	36V C.T. @ .82A	18V @ 1.64A
PVD-3656	56	36V C.T. @ 1.56A	18V @ 3.12A

SCHEMATIC



APPLICATION

DUAL PRIMARIES:
Series for 230V - 50/60Hz
Parallel for 115V - 50/60Hz

HI-POT:
4000Vac Primary To Secondary
4000Vac Windings to Core
130°C Insulation System

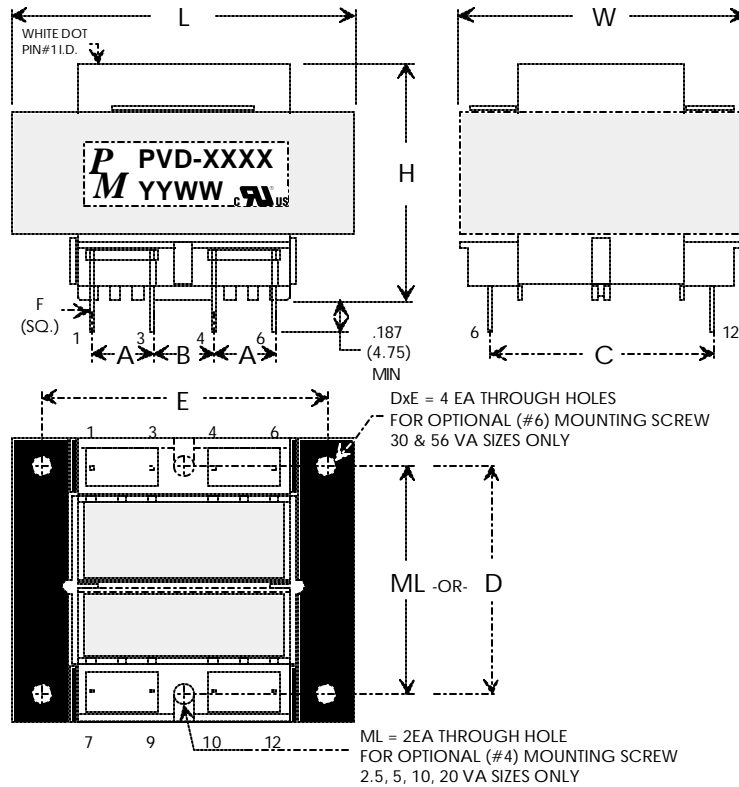
Note: Primary and Secondary windings are designed to be used as one primary & one secondary winding. That is, they must each be used simultaneously either parallel or series connected.

Specifications subject to change without notice.

pvd 497

SHROUDED SPLIT BOBBIN HIGH ISOLATION POWER TRANSFORMERS

PVD-XXX MECHANICAL



SIZE (VA)	NOMINAL DIMENSIONS IN INCHES									
	L	W	H	A	B	C	ML	D ¹	E ¹	F
2.5	1-5/8	1-5/16	1.125	.200	.250	1.000	1-1/16	-----	-----	.025
5	1-5/8	1-5/16	1.375	.200	.400	1.000	1-1/16	-----	-----	.025
10	1-7/8	1-9/16	1.375	.200	.400	1.128	1-1/4	-----	-----	.036
20	2-1/4	1-7/8	1.625	.400	.400	1.436	1-1/2	-----	-----	.036
30	2-5/8	2-3/16	1.575	.550	.275	1.680	-----	1-3/4	2-3/16	.045
56	3.000	2.500	1.820	.600	.300	1.866	-----	2.000	2-1/2	.045

NOTES:

- 1) 4-HOLE CORNER PATTERN
APPLIES TO 30 & 56VA SIZES ONLY
- 2) WHITE DOT ON TOP OF PART
DENOTES PIN#1

VARIATIONS AVAILABLE. FOR INTERMEDIATE VALUES AND/OR CUSTOM
DESIGNS PLEASE CONSULT THE FACTORY.

Specifications subject to change without notice.

pvd 4/97