

For use with  
Intersil ISL6401 family



# DC-DC Flyback Transformer for Telecom

This low profile flyback transformer is designed for applications such as Subscriber Line Interface Circuits (SLICs), cable and DSL modems and set top boxes.

For free evaluation samples, contact Coilcraft or visit [www.coilcraft.com](http://www.coilcraft.com).

Part number <sup>1</sup>	Inductance at 0 Adc <sup>2</sup> ±10% (µH)	Inductance at 6.5 Adc <sup>2</sup> min (µH)	DCR max (Ohms)	Leakage inductance max (µH)	Input	Output	Isolation (Vrms)
IFLY0012L_	6.0	4.8	0.021 (pins 8 - 1) 0.690 (pins 7 - 2) 0.690 (pins 6 - 3) 0.690 (pins 5 - 4)	0.3	9 V – 20 V	-24 V, 170 mA -72 V, 170 mA	500

1. When ordering, please specify **packaging** code:

IFLY0012L **D**

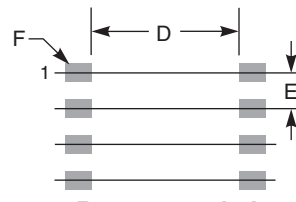
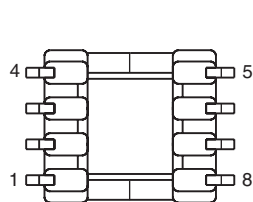
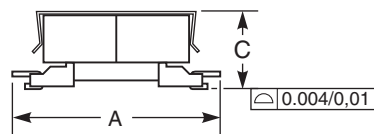
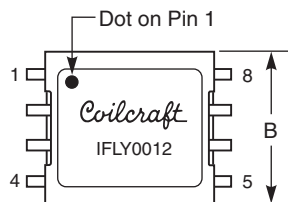
**Packaging:** **D** = 13" machine ready reel. EIA-481 embossed plastic tape (225 parts per full reel).

**B** = Less than full reel. In tape, but not machine ready. To have a leader and trailer added (\$25 charge), use code letter D instead.

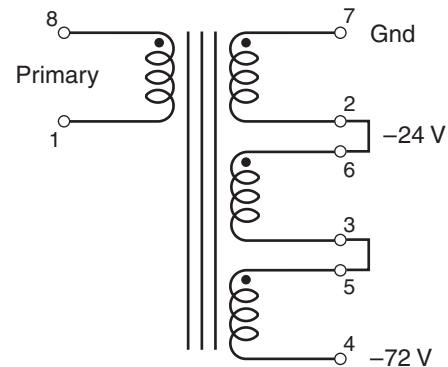
2. Inductance is for the primary, measured at tested 100 kHz, 1.0 Vrms.

3. Operating temperature range -40°C to +85°C.

4. Electrical specifications at 25°C.



**Recommended Land Pattern**



A max	B max	C max	D nom	E nom	F nom	
0.925	0.675	0.360	0.591	0.148	0.079 × 0.110	inches
23,5	17,15	9,14	15,01	3,76	2,01 × 2,79	mm

**Weight:** 5.2 g

**Terminations:** Matte tin over nickel over phos bronze

**Tape and reel:** 225/13" reel 44 mm tape width

**Coilcraft**<sup>®</sup>

Specifications subject to change without notice.  
Please check our website for latest information.

Document 269 Revised 01/26/05

1102 Silver Lake Road Cary, Illinois 60013 Phone 847/639-6400 Fax 847/639-1469

E-mail [info@coilcraft.com](mailto:info@coilcraft.com) Web <http://www.coilcraft.com>