

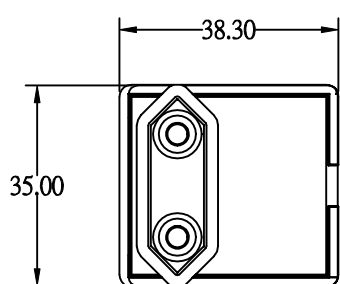
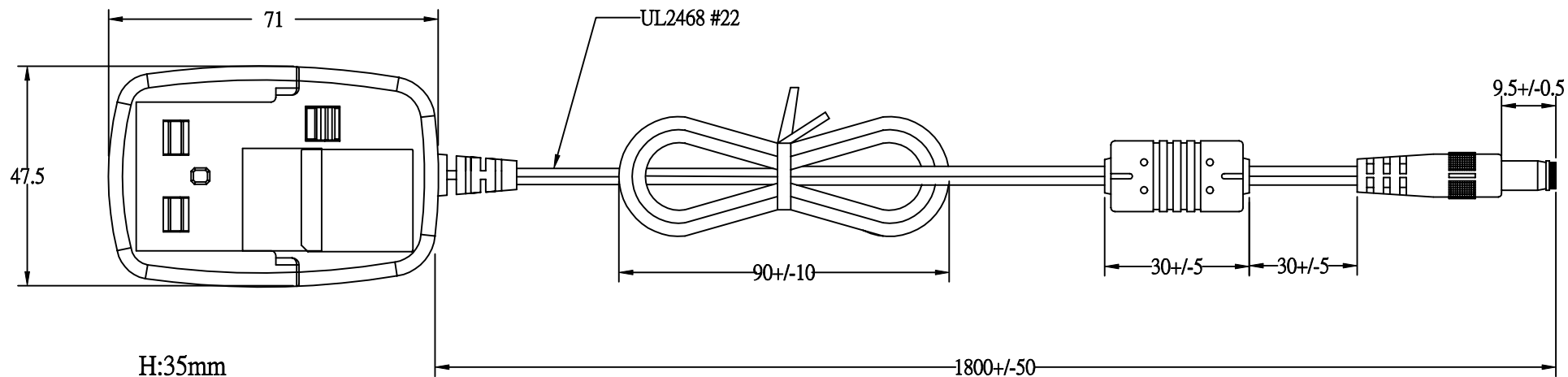
**10 ~ 15W AC-DC Single Output Wall Mount Worldwide Type EA1015 series**



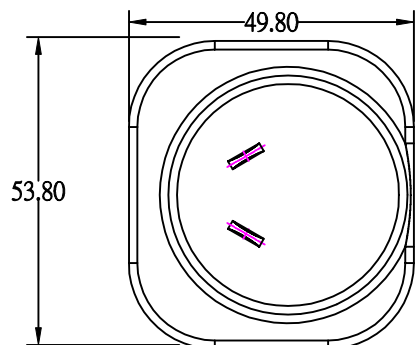
- Features:
- ☑ CEC Efficiency Regulations Compliance
  - ☑ RoHS Compliance
  - ☑ Interchangeable AC Plug
  - ☑ Over-Voltage Protective Installation
  - ☑ Short-circuit Protective Installation
  - ☑ Protection Type: Auto-Recovery
  - ☑ Application: MP3,i-pod,POS...

**SPECIFICATION**

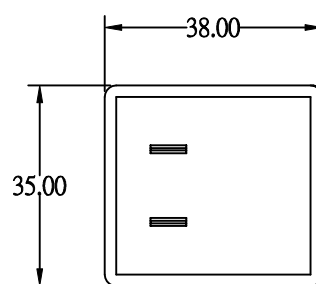
Model	EA1015-AR	EA1015-BR	EA1015-CR	EA1015-DR
Item				
Output Voltage	3V~5V	6V~9V	10V~15V	16V~24V
Output Rating (Max.)	10W	12W	15W	15W
Output Current (Max.)	2.5A	2.0A	1.5A	0.9A
Input Voltage (Limit)	AC 90~264V			
Input Frequency	47~63Hz			
Line Regulation	1% Max.			
Load Regulation	+/- 5%			
Ripple & Noise	1% Max.			
Efficiency	70% Typical	70% Typical	75% Typical	75% Typical
Over Voltage Protection	Yes			
Short circuit Protection	Yes			
Operating Temperature	0~40°C			
Storage Temperature	-20 C~85°C			
Class or Class	Class			
Safety Standards	UL60950-1, EN60950-1,IEC60950-1			
Safety/EMC	UL/CUL, TUV, DoIR+C-Tick, CE, PSE(for less than 15V output)			
MTBF	30,000 hours			
LED Indication	none			
Dimension	71L x 47.5W x 34mm			
Approx. Weight	140 grams			
Standard Plug	Optional			



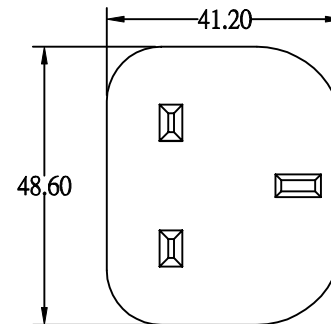
H:28mm



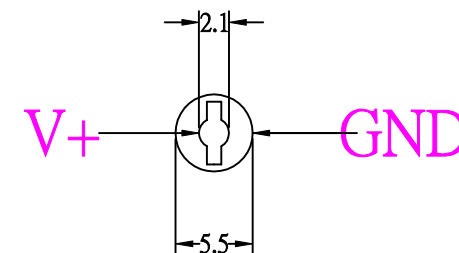
H:19mm



H:10.2mm



H:10.2mm



				APPROVED
MODEL	EA1015-BR	UNIT	mm	DESIGNED
color	BLACK	SCALE		CHECK
cus.		DATE	2007-01-30	DRAWING L.J.YU