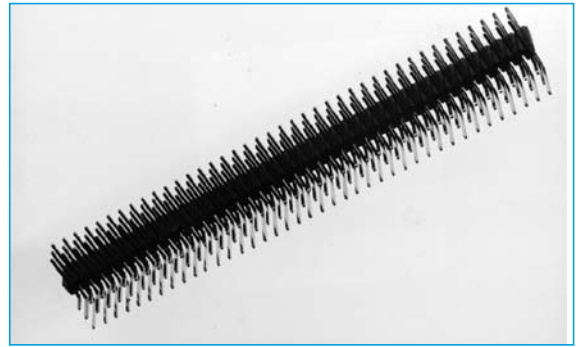


## PIN HEADERS

- Industry compatible
- Competitively priced
- Various plated contacts available
- 2.54mm pitch

## TRIPLE ROW RIGHT ANGLE



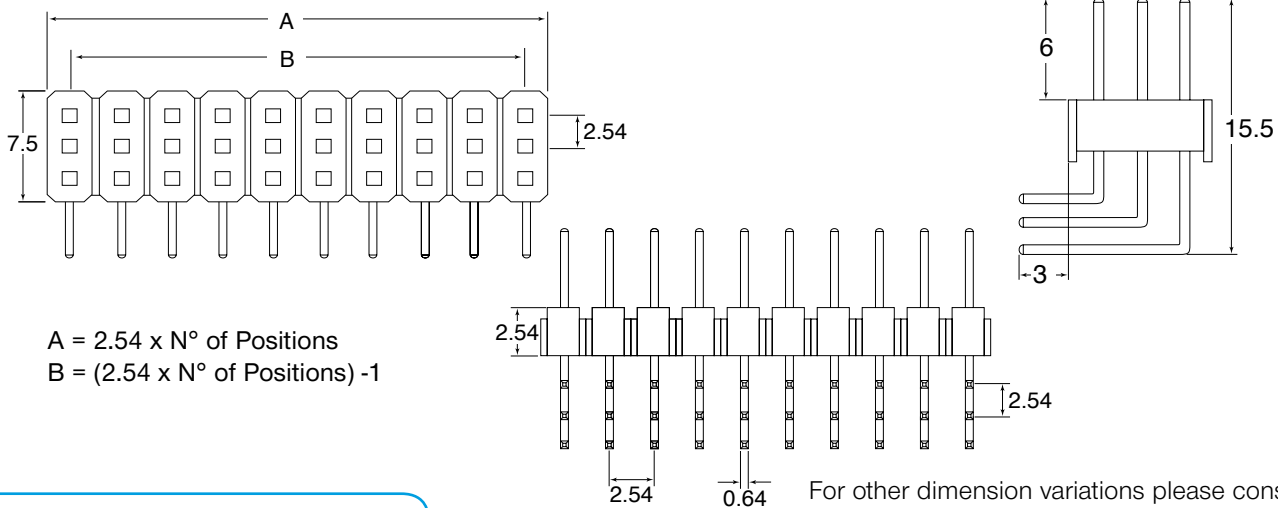
SECTION 8

## SPECIFICATION

### Material & Finish

<b>Contact Material:</b>	Brass
<b>Insulator Material:</b>	PBT & Glass-Fibre Reinforced UL94V-0
<b>Current Rating:</b>	1 A DC
<b>Contact Resistance:</b>	30M $\Omega$ Max at 6V DC 0.3A
<b>Insulator Resistance:</b>	1000M $\Omega$ Min at 500V DC
<b>Dielectric Withstanding</b>	
<b>Voltage:</b>	500V AC for One Minute
<b>Operating Temperature:</b>	-40°C to + 105°C

## OUTLINE DRAWING



## ORDERING INFORMATION

DBC	PH	C22	06	A	G	1	-XXX
Dubilier Connectors	Pin Header Connector	Series	N <sup>o</sup> of Ways 02=2x3way Thro to 40=40x3way	Contact Material A=Brass	Contact Plating G= Gold Flash S=Selective T=Tin Plated other plating Available	Colour 1=Black	Unique Special Code *See Below

\*Dubilier will allocate a special code to distinguish pin lengths if required