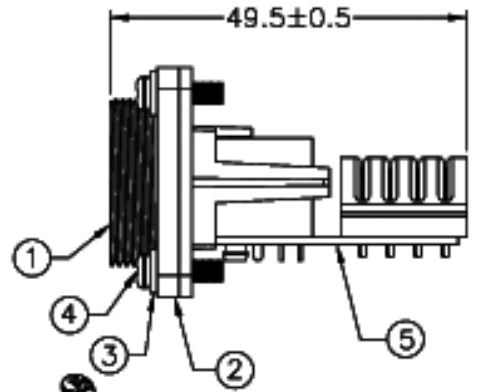
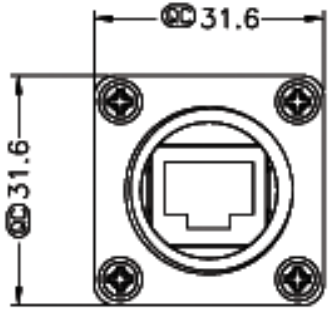


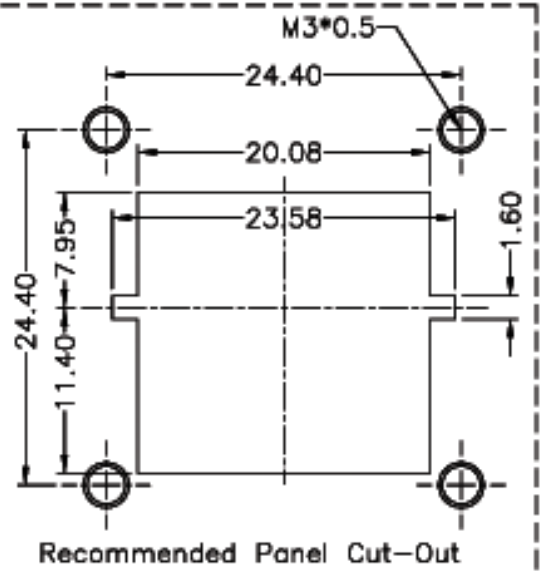
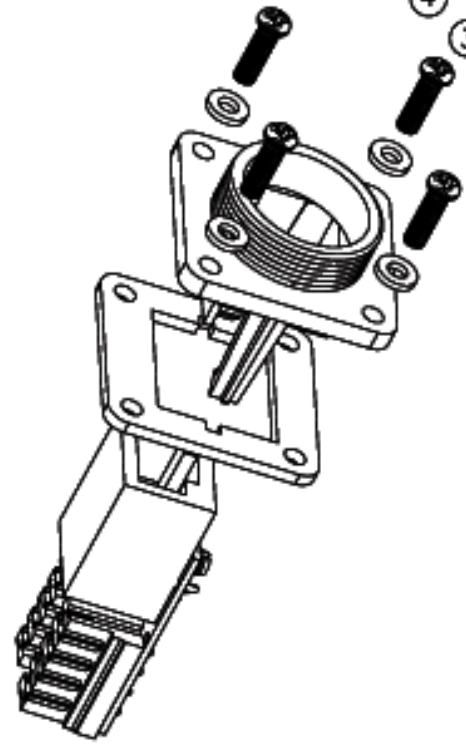
REV.	CON. NO.	DATE	BY	DESCRIPTION



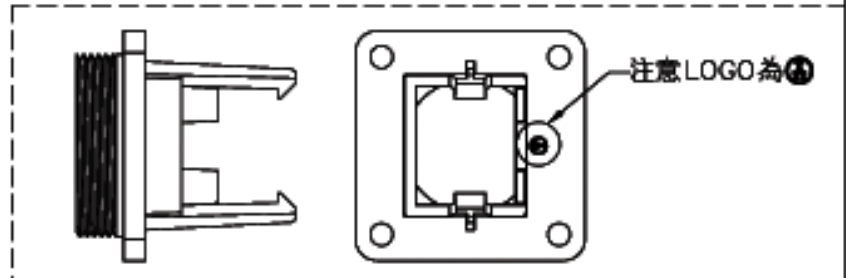
APPROVED

SIGNATURE _____

DATE _____



- Note:
- * \varnothing Important Dimension. (⊙為重點尺寸)
 - * Waterproof Rate: IP67
 - * Connector: Black, ABS
 - * Set ②③④ in One 1# Zipper Bag (零件②③④ 封包於1個1號夾鏈袋內)

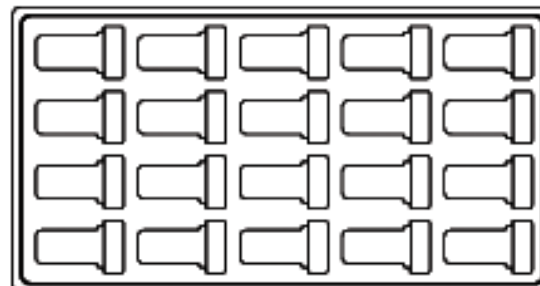
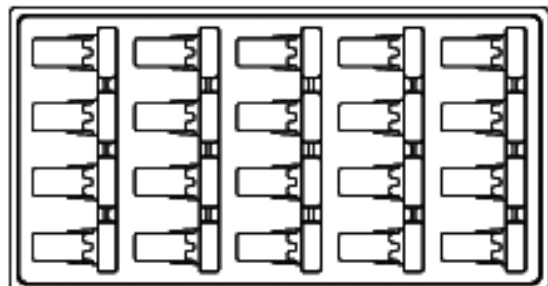


UNIT:mm		TITLE	RJ45 Shielded Cat5 110D Keystone Jack
TOLERANCE	.X ±0.25 .XX ±0.1 .XXX ±0.05 ANGLES ±1°	SCALE	Free
REV.	01	SHEET	1 OF 2
SIZE	A4	⊙	Inspection Item

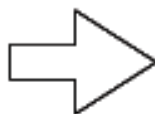


ITEM NO	A-RJ45KS-R	DRAWN BY	DongYaLi	DATE	2006/05/08
DWG NO	A-RJ45KS-R	CHECKED BY	Robert Hsu	DATE	2006/05/30
CUSTOMER		APPROVED BY	Max	DATE	2006/06/02

包裝規範圖



×20PCS



APPROVED	
SIGNATURE	
DATE	

Note:

- * 一盒可放置20Pcs.
- * 使用中箱,(390*350*270).
- * 配件放置請依包裝規範

UNIT:mm TOLERANCE ±0.5 mm		TITLE RJ45 Shielded Cat5 110D Keystone Jack		ITEM NO A-RJ45KS-R	DRAWN BY DongYaLi	DATE 2006/05/08
	SCALE Free	SHEET 2 OF 2		DWG NO A-RJ45KS-R	CHECKED BY Robert Hsu	DATE 2006/05/30
REV. 01	SIZE A4	 Inspection Item		CUSTOMER	APPROVED BY Max	DATE 2006/06/02