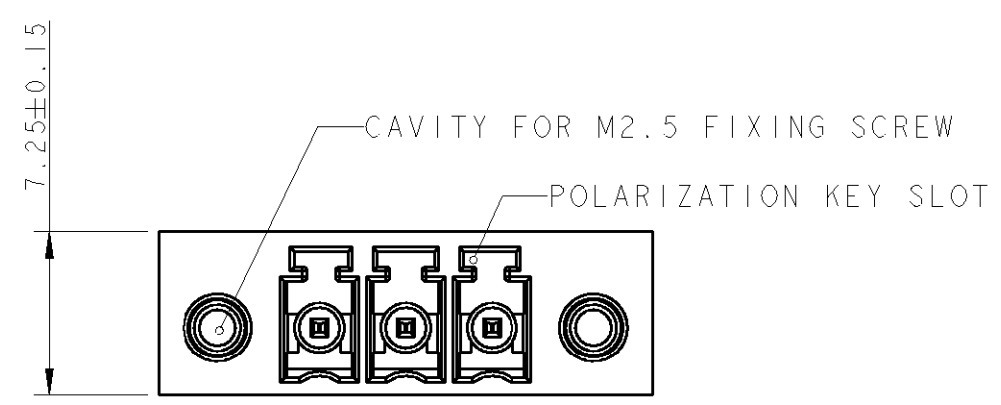
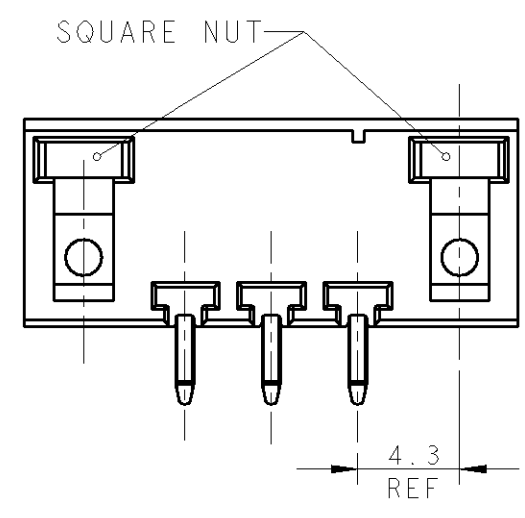
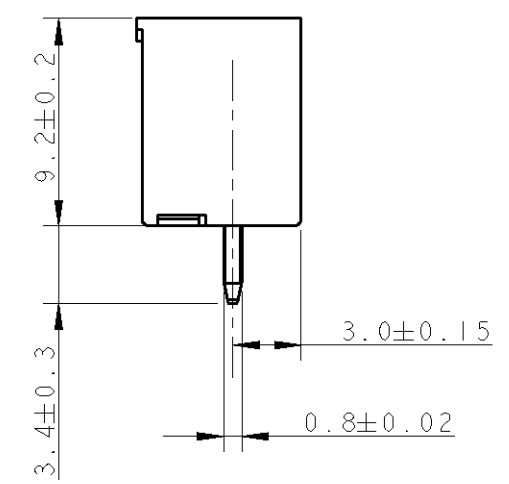
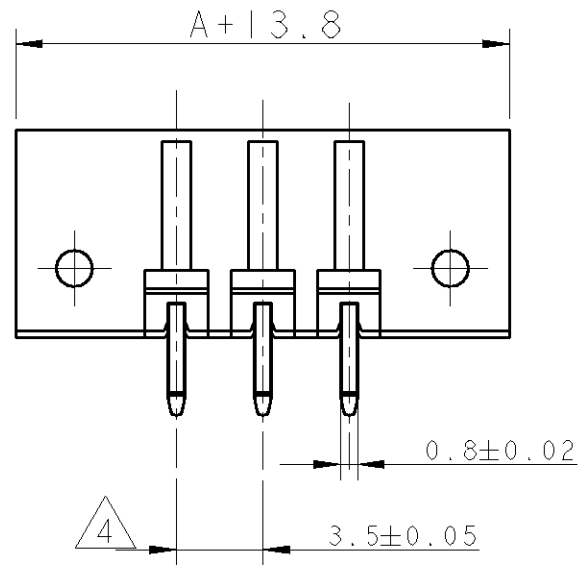
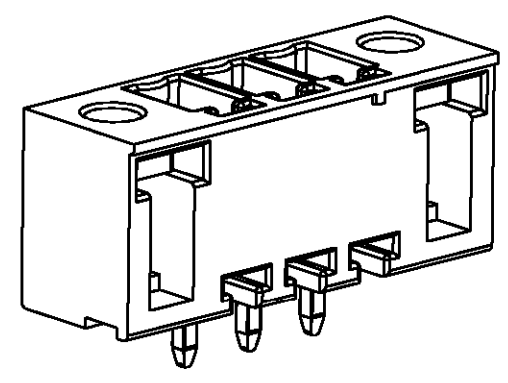


THIS DRAWING IS UNPUBLISHED. RELEASED FOR PUBLICATION 20
 © COPYRIGHT 20 BY TYCO ELECTRONICS CORPORATION. ALL RIGHTS RESERVED.

| LOC | DIST | REVISIONS | | | |
|-----|------|-------------|--------------------------|-----------|-------|
| P | LTR | DESCRIPTION | DATE | DWN | APVD |
| FT | 0 | B | REVISED PER 0G3B-0119-01 | 06FEB2002 | EZ DB |



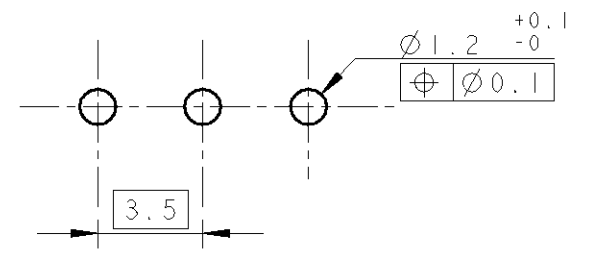
- 1 MATERIALS AND FINISH
HOUSING : PA 6.6, UL 94-V0, COLOR GREEN
TERMINAL : PHOSPHOR BRONZE, TIN PLATED
- 2 CONNECTOR ASSEMBLY INCLUDED 2 SQUARE NUTS LOADED IN CAVITY
- 3 SUITABLE FOR 1.6-2.4 mm. PC BOARD THICKNESS
- 4 NOT CUMULATIVE TOLERANCE



284516-3 AS SHOWN

| DIM A | NO OF POS | PART NUMBER |
|-------|-----------|-------------|
| 77.0 | 23 | 2-284516-3 |
| 73.5 | 22 | 2-284516-2 |
| 70.0 | 21 | 2-284516-1 |
| 66.5 | 20 | 2-284516-0 |
| 63.0 | 19 | 1-284516-9 |
| 59.5 | 18 | 1-284516-8 |
| 56.0 | 17 | 1-284516-7 |
| 52.5 | 16 | 1-284516-6 |
| 49.0 | 15 | 1-284516-5 |
| 45.5 | 14 | 1-284516-4 |
| 42.0 | 13 | 1-284516-3 |
| 38.5 | 12 | 1-284516-2 |
| 35.0 | 11 | 1-284516-1 |
| 31.5 | 10 | 1-284516-0 |
| 28.0 | 9 | 284516-9 |
| 24.5 | 8 | 284516-8 |
| 21.0 | 7 | 284516-7 |
| 17.5 | 6 | 284516-6 |
| 14.0 | 5 | 284516-5 |
| 10.5 | 4 | 284516-4 |
| 7.0 | 3 | 284516-3 |
| 3.5 | 2 | 284516-2 |

RECOMMENDED PC BOARD LAYOUT



| | | | | | |
|---|--|--|--|--|--|
| <small>THIS DRAWING IS A CONTROLLED DOCUMENT FOR TYCO ELECTRONICS CORPORATION IT IS SUBJECT TO CHANGE AND THE CONTROLLING ENGINEERING ORGANIZATION SHOULD BE CONTACTED FOR THE LATEST REVISION.</small> | | DWN 06FEB2002 EZ CHK 06FEB2002 E. ZANOLINI APVD 06FEB2002 D. BIEVENOUR | | BUCHANAN Tyco Electronics Harrisburg, PA 17105-3608 | |
| DIMENSIONS: mm | | TOLERANCES UNLESS OTHERWISE SPECIFIED: 0 PLC ±- 1 PLC ±.3 2 PLC ±.25 3 PLC ±- 4 PLC ±- ANGLES ±2 | | NAME TERMINAL BLOCK, HEADER ASSEMBLY STRAIGHT, 3.5mm PITCH WITH THREADED FLANGE | |
| MATERIAL | | FINISH | | PRODUCT SPEC 108-20166 APPLICATION SPEC 114-20079 WEIGHT - | |
| CUSTOMER DRAWING | | | | SIZE A3 CAGE CODE 00779 DRAWING NO C-284516 RESTRICTED TO - | |
| SCALE 3:1 | | | | SHEET 1 OF 1 REV B | |