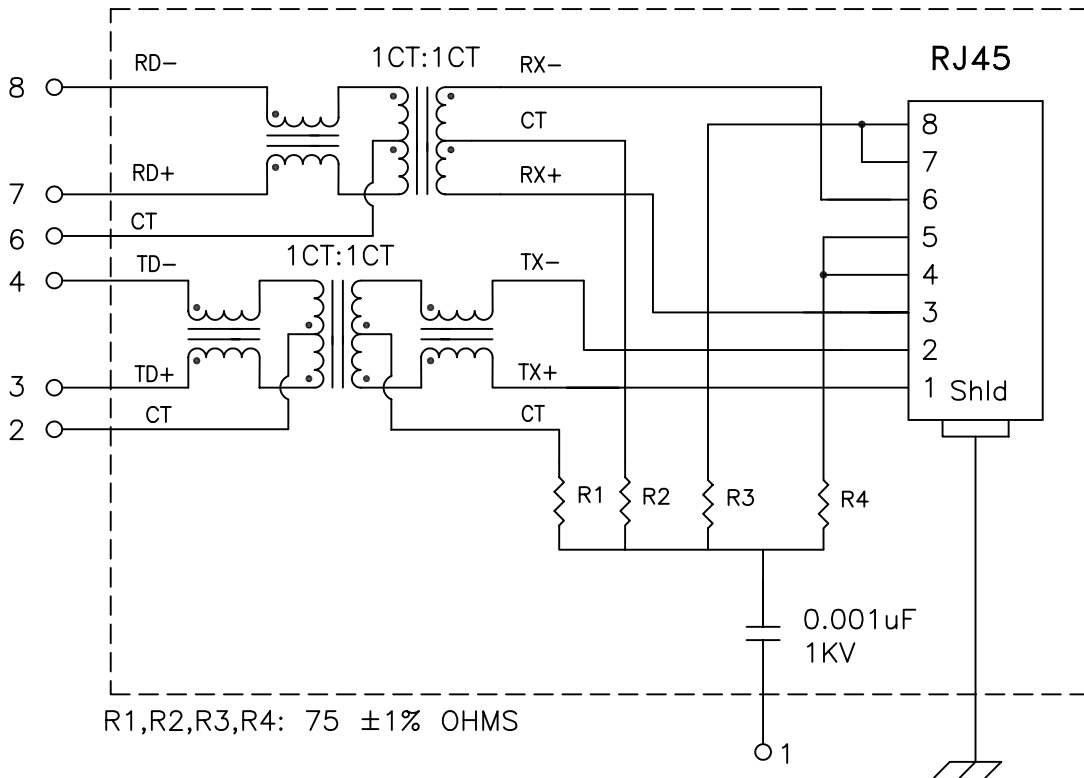


## Schematic:



## Electrical Specifications: @25°C

Isolation Voltage: 1500Vrms(INPUT to OUTPUT), 500Vrms(TD to RD)

UTP SIDE OCL: 350uH Min @100KHz 100mV 8mADC

Rise Time (10–90%): 2.5ns Typical

Insertion Loss (300KHz–100MHz): –1.1dB Maximum

Insertion Loss (100MHz–125MHz): –1.5dB Maximum

Return Loss: –18dB Min. @30MHz

–12dB Min. @80MHz

Crosstalk:

100KHz–60MHz –40dB Typical

60MHz–100MHz –38dB Typical

Common Mode to Differential Mode Rejection:

100KHz–60MHz –45dB Typ (Tx) / –40dB Typ (Rx)

60MHz–100MHz –40dB Typ (Tx) / –35dB Typ (Rx)

Notes:

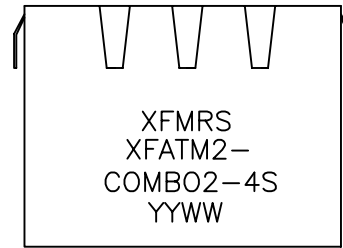
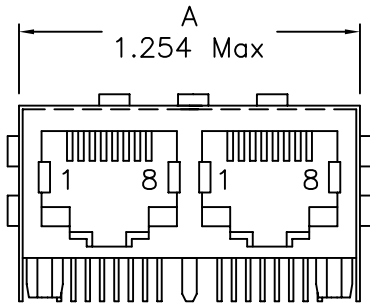
- Solderability: Leads shall meet MIL–STD–202, Method 208D for solderability.
- Flammability: UL94V–0
- ASTM oxygen index: > 28%
- Temperature rating: 155°C. UL file E151556
- Operating Temperature Range: 0°C to +70°C

**PRELIMINARY**

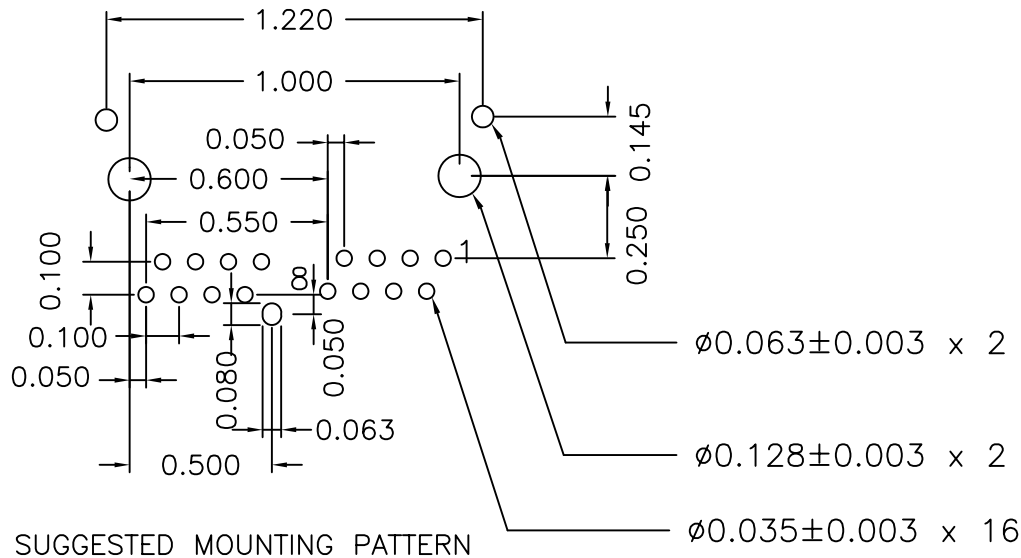
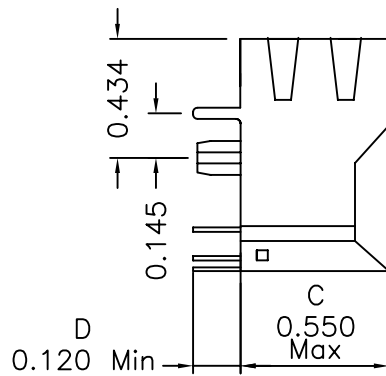
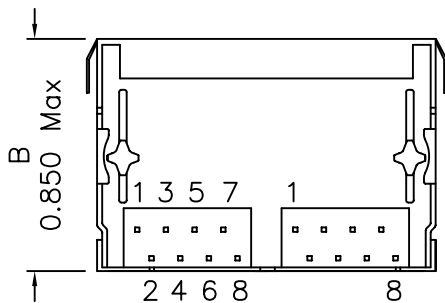
DOC. REV A/1

<b>XFMRS Inc.</b>	Title: TWO PORT COMBO		
UNLESS OTHERWISE SPECIFIED TOLERANCES: .xxx $\pm$ 0.010 Dimensions in Inch	P/N: XFATM2–COMBO2–4S	REV. A	
	DWN.	李小锋	Jul–11–02
SHEET 2 OF 1	CHK.	廖玉坤	Jul–11–02
	APP.	Isaiah M	Jul–11–02

# Mechanical Dimensions: (FOR COMBO2-4S)



TOP VIEW



**PRELIMINARY**

DOC REV: A/1

**XFMRS Inc.**

Title: Mechanical Dimensions  
For COMBO2-4S Series

UNLESS OTHERWISE SPECIFIED  
TOLERANCES:  
.xxx  $\pm 0.010$   
Dimensions in Inch

P/N: XFATM2-COMBO2-4S

REV. A

DWN.

李小锋

Jul-11-02

CHK.

廖玉坤

Jul-11-02

APP.

Isaiah M

Jul-11-02

SHEET 2 OF 2