

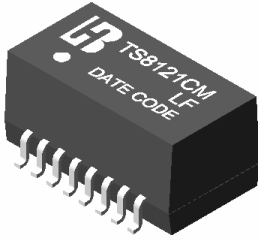


TS8121CM LF

10/100 BASE-T ETHERNET ISOLATION TRANSFORMER

P/N: TS8121CM LF DATA SHEET

Feature



- Designed to meet IEEE 802.3u requirement, including 350uH OCL with 8mA bias.
- Comply with RoHS requirements-whole part No Cd, No Hg, No Cr6+, No PBB and PBDE and No Pb on external pins.
- Operating temperature range: -40 to +85 .
- Storage temperature range: -40 to +125 .

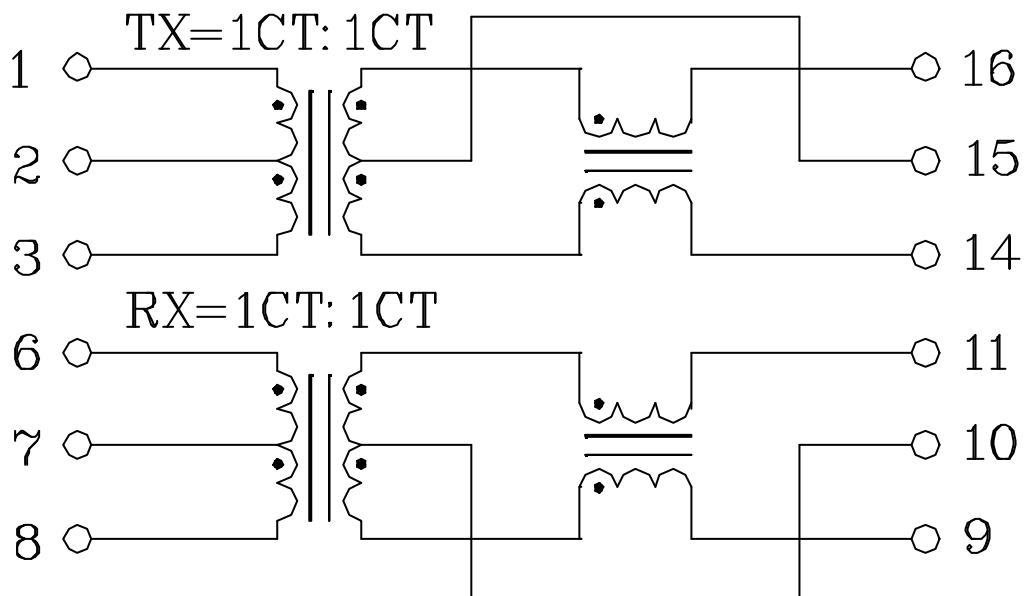
Electrical Specifications @ 25°C

Part Number	Turns Ratio (±5%)		OCL (uH Min) @ 100KHz/0.1V with 8mA DC Bias	C _{www} (pF Max)	L.L (uH Max)	HI-POT (Vrms)
	1-3:16-14	6-8:11-9				
TS8121CM LF	1CT:1CT	1CT:1CT	350	28	0.5	1500

Continue

Part Number	Insertion Loss (dB Max)	Return Loss (dB Min)			Cross talk (dB Min)		DCMR (dB Min)		
		0.3-100 MHz	30MHz	60MHz	80MHz	0.3-60MHz	60-100MHz	30MHz	60MHz
TS8121CM LF	-1.15	-18	-14	-12	-45	-35	-40	-35	-30

Schematic



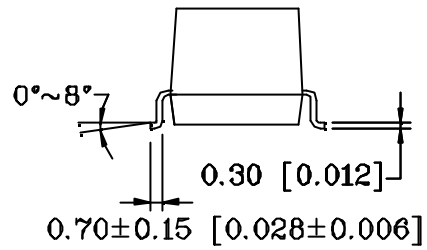
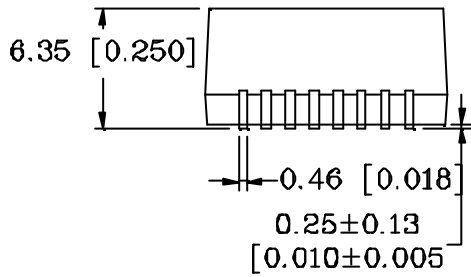
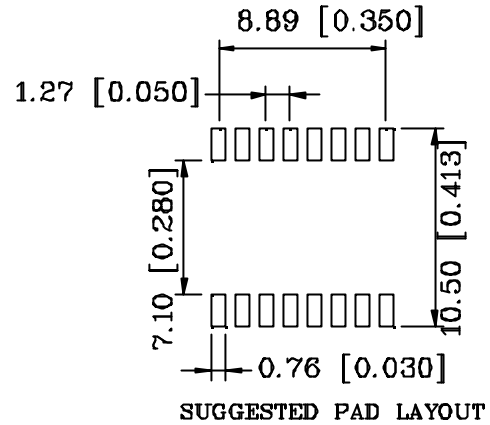
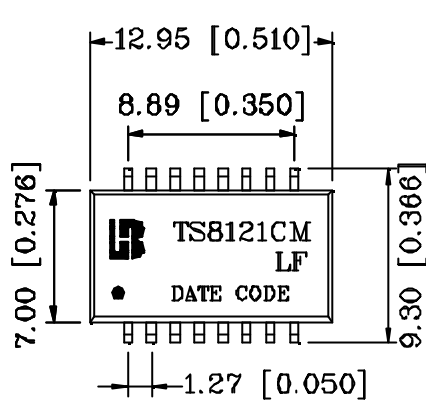


TS8121CM LF

10/100 BASE-T ETHERNET ISOLATION TRANSFORMER

P/N: TS8121CM LF DATA SHEET

Mechanical



Units: mm [Inches] Tolerances: xx.x0 ± 0.25 [0.010]
 0.xx ± 0.05 [0.002]