

Specifications

Insulation Resistance: 1,000MΩ min. at 500 V DC
 Withstanding Voltage: 500 V AC rms for 1 minute
 Contact Resistance: 15mΩ max. at 10mA
 Current Rating: 1A
 Operating Temp. Range: -20°C to +85°C
 Soldering Temperature: 260°C / 5 sec.

Materials and Finish

Housing: PBT (glass filled), UL 94V-0 rated
 Contacts: Phosphor Bronze
 Plating: Au over Ni



Part Number (Details)

NFP - 50A - 0132 BF

Series (plug)

No. of Leads

2 = Right Angle Solder Dip

Type of Plating:

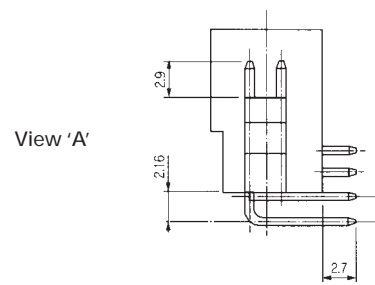
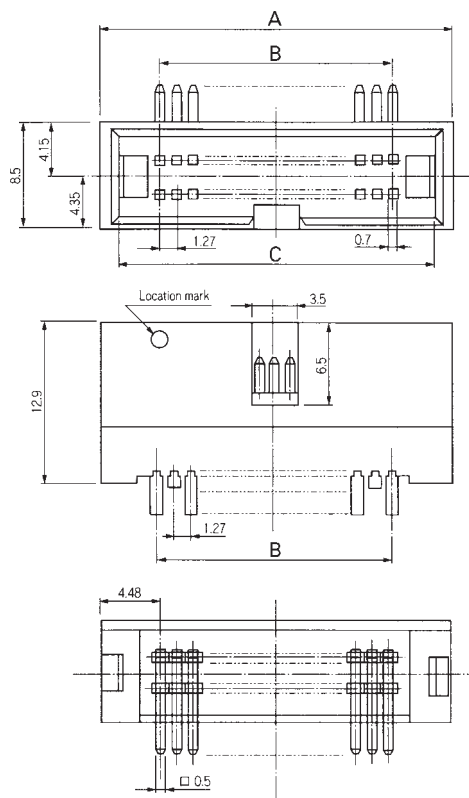
	Base	Mating Face	Solder Terminals
BF	Ni 2.5-4.5μm	Au 0.3μm min.	Au 0.05μm min.

Features

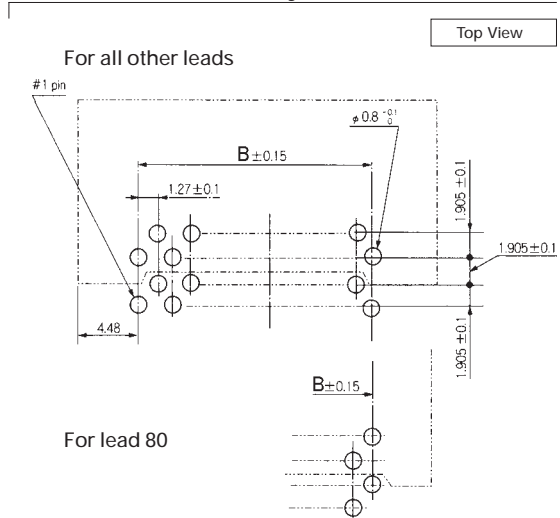
⇒ Contact pitch 1.27mm connectors for high-density mounting



Outline Dimensions



Recommended PCB Layout



Standard types

Part Number	No. of Leads	A	B	C
NFP-10A-0132BF	10	14.04	5.08	11.58
NFP-16A-0132BF	16	17.85	8.89	15.39
NFP-20A-0132BF	20	20.39	11.43	17.93
NFP-26A-0132BF	26	24.20	15.24	21.74

Part Number	No. of Leads	A	B	C
NFP-34A-0132BF	34	29.28	20.32	26.82
NFP-50A-0132BF	50	39.44	30.48	36.98
NFP-80A-0132BF	80	58.49	49.53	56.03

For the following versions below please contact Yamaichi, minimum order quantity may be required

NFP-40A-0132BF	40	33.09	24.13	30.63
NFP-60A-0132BF	60	45.79	36.83	43.33
NFP-64A-0132BF	64	48.33	39.37	45.87

NF Series

180° Solder Dip Box Header (1.27mm Pitch)

Specifications

Insulation Resistance: 1,000MΩ min. at 500V DC
 Withstanding Voltage: 500V AC rms for 1 minute
 Contact Resistance: 15mΩ max. at 10mA
 Current Rating: 1A
 Operating Temp. Range: -20°C to +85°C
 Soldering Temperature: 260°C / 5 sec.

Materials and Finish

Housing: PBT (glass filled), UL 94V-0 rated
 Contacts: Phosphor Bronze
 Plating: Au over Ni



Features

⇒ Contact pitch 1.27mm connectors for high-density mounting

Part Number (Details)

NFP - 50A - 0134 BF

Series (plug)

No. of Leads

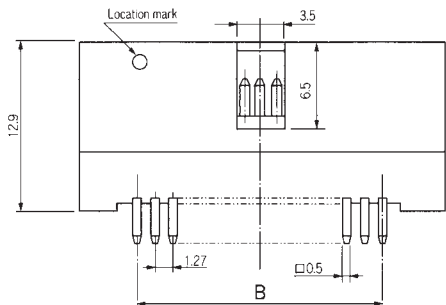
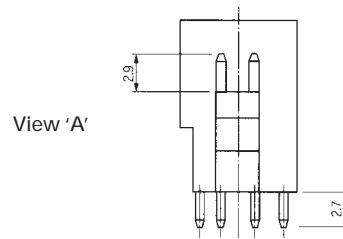
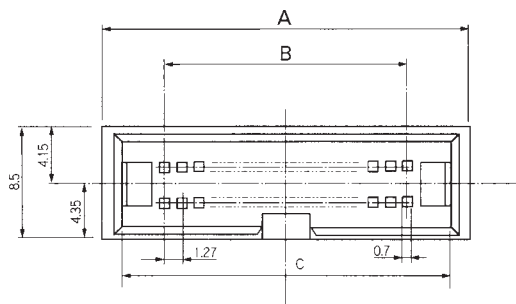
4 = Straight Solder Dip

Type of Plating:

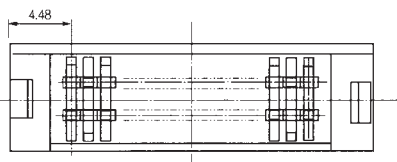
	Base	Mating Face	Solder Terminals
BF	Ni 2.5-4.5μm	Au 0.3μm min.	Au 0.05μm min.



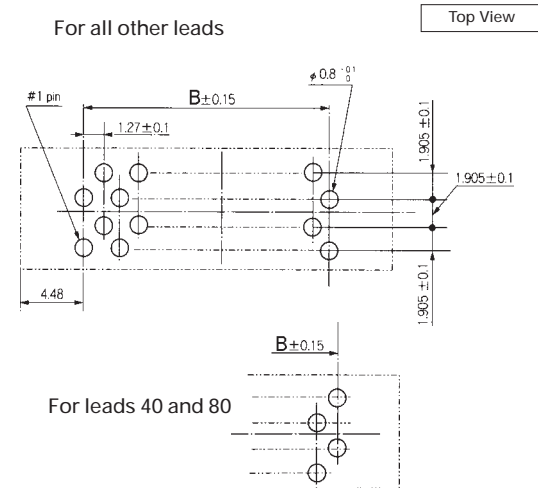
Outline Dimensions



View 'A'



Recommended PCB Layout



Standard types

Part Number	No. of Leads	A	B	C
NFP-16A-0134BF	16	17.85	8.89	15.39
NFP-20A-0134BF	20	20.39	11.43	17.93
NFP-26A-0134BF	26	24.20	15.24	21.74
NFP-34A-0134BF	34	29.28	20.32	26.82

Part Number	No. of Leads	A	B	C
NFP-40A-0134BF	40	33.09	24.13	30.63
NFP-50A-0134BF	50	39.44	30.48	36.98
NFP-80A-0134BF	80	58.49	49.53	56.03

For the following versions below please contact Yamaichi, minimum order quantity may be required

NFP-60A-0134BF	60	45.79	36.83	43.33
NFP-68A-0134BF	68	50.87	41.91	47.91