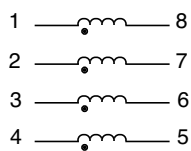


- UL 94V-0 Recognized Components
- UL 1446 Class B Insulation System
- Hipot : 500 Vrms (Between Wdg's)

Electrical Parameters @ 25° C

Primary Inductance (μ H Min.)	Interwinding Capacitance (pF Max.)	Leakage Inductance (μ H Max.)	Insulation Resistance (m Ω Min.)	Turns Ratio (\pm 5%)	DCR (Ω Max.)
@ 100 KHz, 100m Vrms	@ 100 KHz, 100m Vrms	@ 100 KHz, 100m Vrms	@ 500 Vdc		Each Wdg.
8	25	0.2	10,000	1:1:1:1	0.25
		with 3 wdg's shorted	Between Wdg's		

Schematic

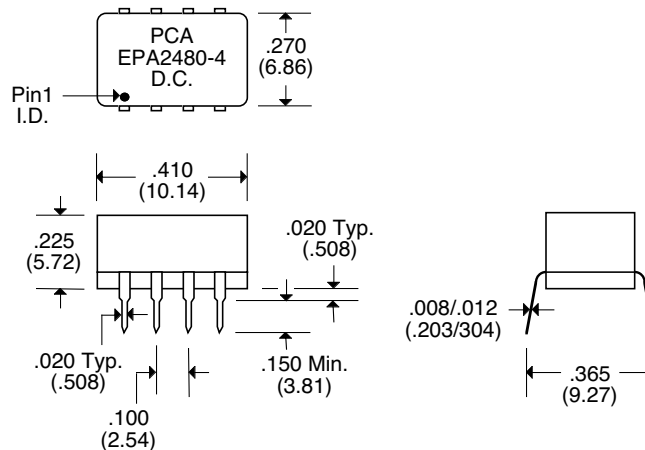


Frequency

Impedance

10 MHz	550 Ω Min.
30 MHz	1,100 Ω Min.
70 MHz	800 Ω Min.
100 Mhz	520 Ω Min.

Package



Unless Otherwise Specified Dimensions are in Inches /mm \pm .010 / .25