

Tous droits strictement réservés. Reproduction ou communication à des tiers sans quelque forme que ce soit sans autorisation écrite du propriétaire. Property of c BERG ELECTRONICS. Droits de reproduction BERG ELECTRONICS by FCI
 All rights strictly reserved. Reproduction or issue to third parties in any form whatsoever is not permitted without written authority from the proprietor. Copyright BERG ELECTRONICS by FCI

PRODUCT NO.
73725

PRODUCT NUMBER CODE

73725-X X X X LF

HOUSING COLOR OPTION

- 0-WHITE
- 1-BLACK

SENSOR CONTACT OPTION

- 0-WITH SENSOR CONTACT
- 1-WITHOUT SENSOR CONTACT

SHIELD PLATING OPTION

- 1- 2.5µm MINIMUM TIN/LEAD OVER 1.25µm MINIMUM NICKEL UNDERPLATE (HOLD DOWN STYLE "A")
- 2- 1.25µm MINIMUM NICKEL UNDERPLATED & 2.5 µm MINIMUM TIN/LEAD PLATED ON HOLD DOWN ONLY (HOLD DOWN STYLE "B")
- 3- 1.25µm MINIMUM NICKEL UNDERPLATED & 2.5 µm MINIMUM TIN/LEAD PLATED ON HOLD DOWN ONLY (HOLD DOWN STYLE "A")
- 4- 2.5µm MINIMUM TIN/LEAD OVER 1.25µm MINIMUM NICKEL UNDERPLATE (HOLD DOWN STYLE "B")
- 5- 2.5µm MINIMUM TIN/LEAD ON HOLD DOWN OVER 1.25µm MINIMUM NICKEL UNDERPLATE (HOLD DOWN STYLE "C")
- 6- 1.25µm MINIMUM NICKEL ONLY (HOLD DOWN STYLE "A")
- 7- 1.25µm MINIMUM NICKEL UNDERPLATED & 2.5 µm MINIMUM MATTE TIN PLATED (HOLD DOWN STYLE "A")
- 8- 1.25µm MINIMUM NICKEL UNDERPLATED & 2.5 µm MINIMUM MATTE TIN PLATED (HOLD DOWN STYLE "B")
- 9- 1.25µm MINIMUM NICKEL UNDERPLATED & 2.5 µm MINIMUM MATTE TIN PLATED (HOLD DOWN STYLE "D")
- S- 1.25µm MINIMUM NICKEL ONLY, STYLE A HIGH PERFORMANCE MATERIAL, STYLE A FOR 12,000 DURABILITY CYCLES WITH SPECIAL LOCKING FEATURE
- A- 1.25µm MINIMUM NICKEL UNDERPLATED & 2.5 µm MINIMUM TIN/LEAD PLATED ON HOLD DOWN ONLY (HOLD DOWN STYLE "B") FOR 6,000 DURABILITY CYCLES WITH SPECIAL LOCKING FEATURE

TERMINAL PLATING OPTION

- 0-50u" NI UNDERPLATE; 30u" GXT CONTACT AREA 100u" TIN/LEAD TAIL AREA; TAIL LENGTH: 2.29
- 1-50u" NI UNDERPLATE; 30u" GXT CONTACT AREA 100u" TIN TAIL AREA; TAIL LENGTH: 3.71

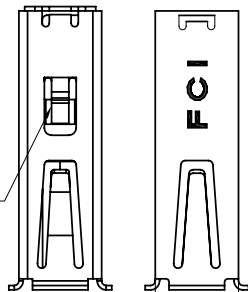
NOTES:

1. MATERIAL:
CONTACTS: COPPER ALLOY
SHIELD: COPPER ALLOY
HOUSING: UL 94V-0 THERMOPLASTIC, COLOR: SEE PRODUCT CODE
2. PLATING: CONTACTS: GOLD FLASH OVER PALLADIUM NICKEL (0.76µm MINIMUM) IN CONTACT AREA; 2.5 µm TIN-LEAD MINIMUM IN SOLDER TAIL AREA. 1.27 µm MINIMUM NICKEL UNDERPLATE OVER ALL SURFACES.
SHIELD: SEE PRODUCT NUMBER CODE.
- ③ DATUMS & BASIC DIMENSIONS TO BE DETERMINED BY CUSTOMER
4. RECOMMENDED PCB BOARD THICKNESS IS 1.00 ~ 1.60mm EXCEPT 73725-1191BLF; 73725-1191BLF CAN BE USED FOR THE PCB BOARD THICKNESS 2.30 ~ 2.65mm.
- ⑤ MAXIMUM PANEL THICKNESS TO BE 2.67mm IF MOUNTED BEHIND PANEL
6. METAL SHELL SLIVER 0.20 MAX.
7. NI PLATING DOES NOT COMPLY WITH THE USB STANDARDS (TO BE CONTINUED)

LEAD FREE OPTION
THE PLATING WILL CHANGE,
SEE NOTE 9

PACKAGING OPTION
B - TUBE
R - TAPE&REEL

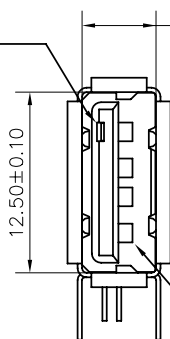
LOCKING FEATURE
FOR 73725-XXAXBLF ONLY



5.76

5.12±0.10

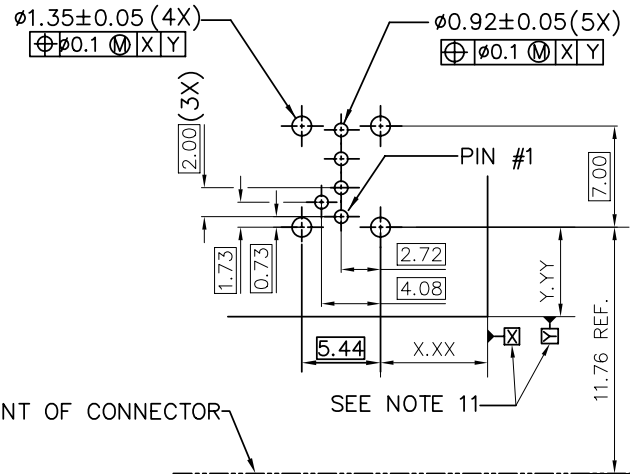
SENSOR CONTACT



12.50±0.10

POS. #1

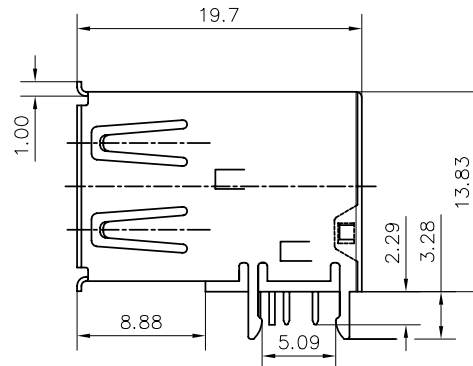
WITH SENSOR CONTACT



FRONT OF CONNECTOR

SEE NOTE 11

PC BOARD MOUNTING DIMENSIONS FOR 5 PIN



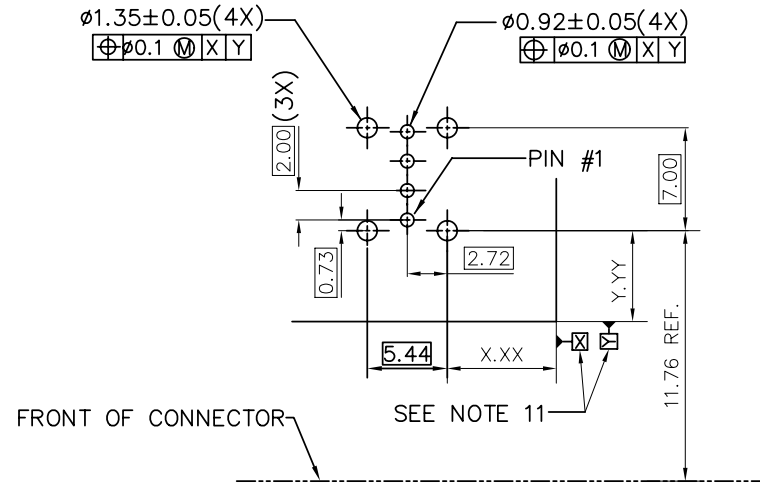
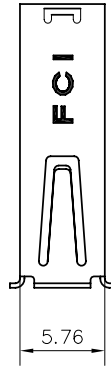
FOR 73725-X0X0B
HOLD DOWN STYLE "A"

mat'l code		tolerance unless otherwise specified		CUSTOMER COPY		FCI www.fciconnect.com		
rev.	ecn no.	dr	date	linear	.0 ± .30	projection	title USB UP-RIGHT RECEPT	
AB	N09-0202	R.B	2009/06/25		.00 ± .20			
AC	N10-0128	A.ZH	05/14/2010		.000± 0.10			
				angles	± 2'			
		dr	PAMP	5/20/97	unit	product family USB		
		enr	R Y LIU	5/20/97	mm	size		
		chr	R Y LIU	5/20/97	scale	73725		
		appd	JENN TSAO	5/20/97	sheet 1 OF 4			
sheet	revision	AC						code
index	sheet	1-4						NT

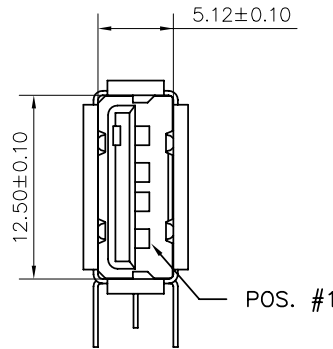
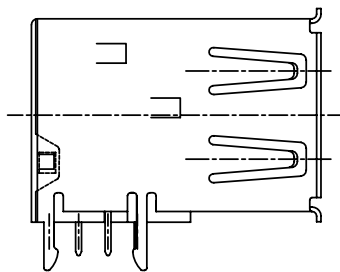
PRODUCT NO.
73725

(CONTINUED)

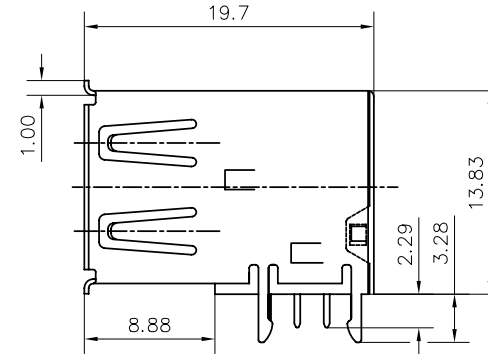
6. P/N'S WITH SUFFIX "LF" ARE LEAD FREE P/N'S
7. FOR LEAD FREE P/N, THE PRODUCT MEET EUROPEAN UNION DIRECTIVES AND OTHER COUNTRY REGULATION AS DESCRIBED IN GS-22-008
8. FOR THE PRODUCTS WITH THE METAL SHELL PLATING NICKEL AND MATTE SN CAN WITHSTAND EXPOSURE TO 260°C PEAK TEMPERATURE FOR 40 SECONDS IN A CONVECTION, INFRA-RED OR VAPOR PHASE REFLOW PROCESS; FOR THE PRODUCTS WITH METAL SHELL PLATING BRIGHT SN OR SEMI-BRIGHT SN CAN'T WITHSTAND REFLOW AND JUST CAN WITHSTAND EXPOSURE TO 260°C PEAK TEMPERATURE FOR 10 SECONDS IN WAVE SOLDERING PROCESS.
9. FOR ALL LEAD FREE P/N'S, CHANGE TIN/LEAD PLATING TO PURE TIN PLATING
10. THE PRODUCT CAN BE USED FOR PIP PROCESS
11. DATUM OF CUSTOMER'S PCB LAYOUT.



PC BOARD MOUNTING DIMENSIONS FOR 4 PIN



WITHOUT SENSOR CONTACT

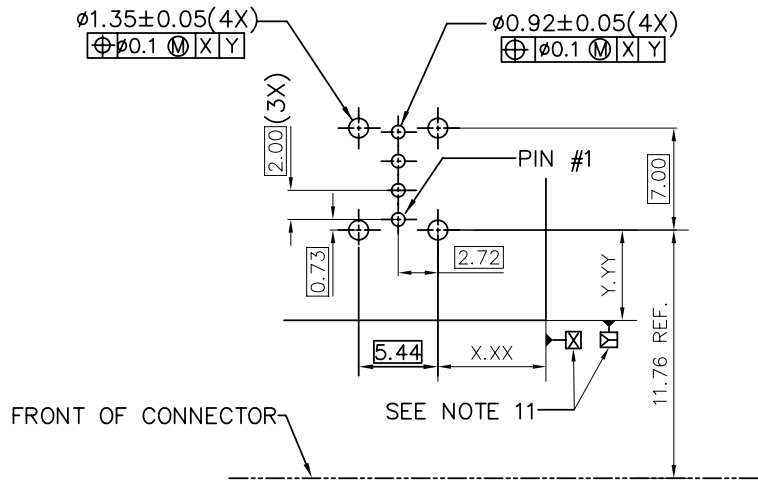


FOR 73725-X1X0B

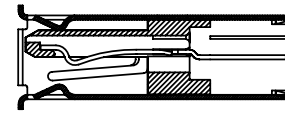
mat'l code				tolerance unless otherwise specified		CUSTOMER COPY		 www.fciconnect.com		
rev.	ecn no.	dr	date	linear	.0 ± .30	projection				title
AC	N10-012B	A.ZH	05/14/2010	angles	.00 ± .20			USB UP-RIGHT RECEIPT		code
					.000 ± 0.10	unit	mm	product family USB		TWN
				dr	PETER PAM 9/4/97	scale	A3	size		2 OF 4
				enr	R Y LIU 9/4/97			dwg no.		
				chr	R Y LIU 9/4/97			73725		
				appd	JENN TSAO 9/4/97					
sheet	revision									
index	sheet									

PRODUCT NO.

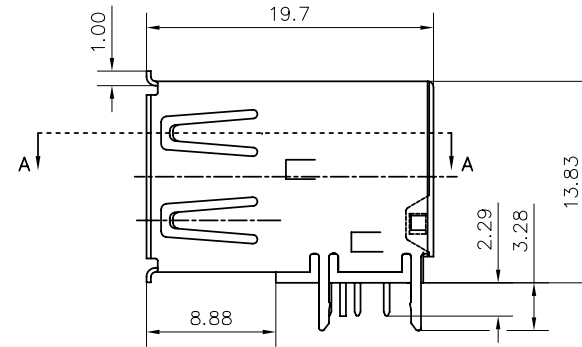
73725



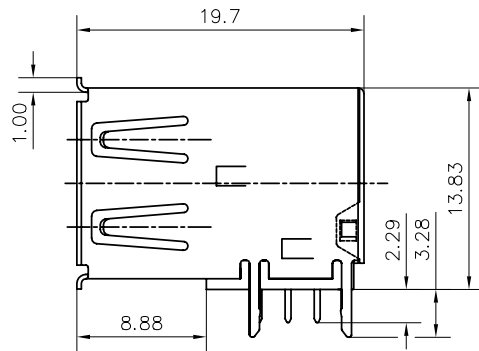
PC BOARD MOUNTING DIMENSIONS FOR 4 PIN



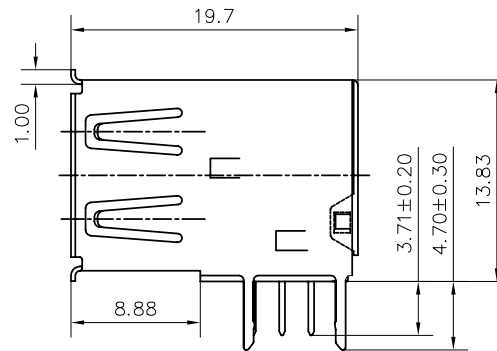
SECTION A-A



WITH SENSOR CONTACT
FOR 73725-X0X0B
HOLD DOWN STYLE "B"



WITHOUT SENSOR CONTACT
FOR 73725-X1X0B
HOLD DOWN STYLE "B"



WITHOUT SENSOR CONTACT
FOR 73725-X191XLF
HOLD DOWN STYLE "D"

Tous droits strictement réservés. Reproduction ou communication, a des tiers int sous quelque forme que ce soit sans autorisation écrite du propriétaire. Property of c BERG ELECTRONICS. Droits de reproduction BERG ELECTRONICS by



All rights strictly reserved. Reproduction or issue to third parties in any for whatever is not permitted without written authority from the proprietor. Property of c BERG ELECTRONICS. Copyright BERG ELECTRONICS by

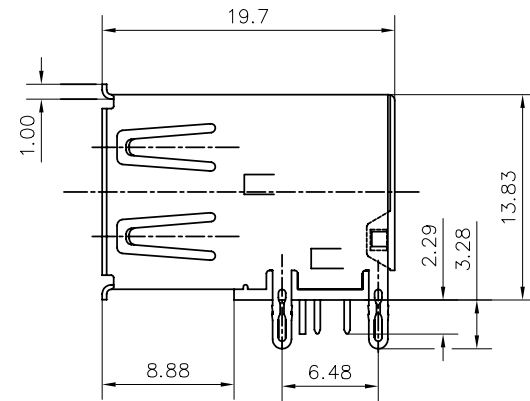
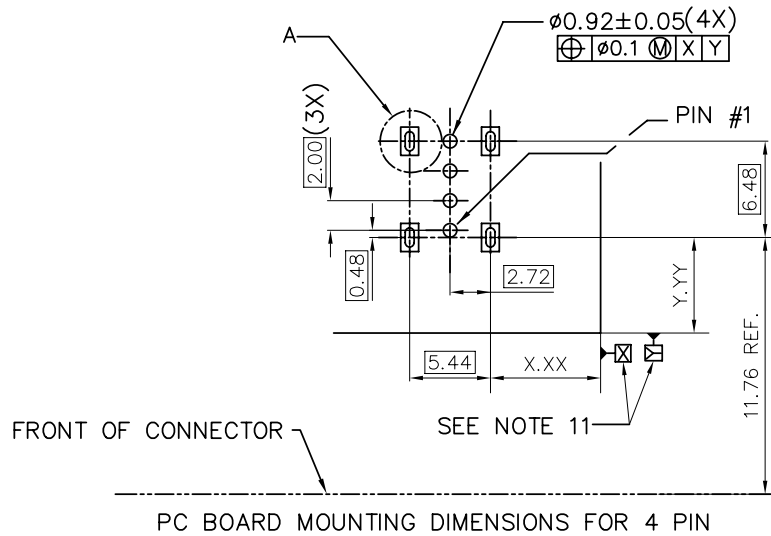
mat'l code		tolerance unless otherwise specified		CUSTOMER COPY		 www.fcjconnect.com	
rev.	ecn no.	dr	date	linear	.0 ± .30	projection	
AC	N10-0128	A.ZH	05/14/2010		.00 ± .20		
				angles	.000± 0.10	product family USB size A3	code TWN sheet 3 OF 4
				dr	± 2'		
				enr	PETER 5/20/97		
				chr	JOHN WEN 5/20/97		
				appd	JENN TSAO 5/20/97		
sheet	revision						
index	sheet						

PRODUCT NO.
73725

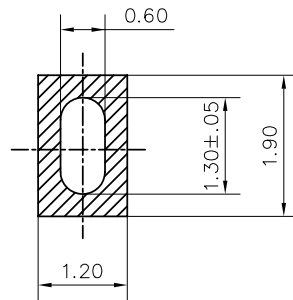
Tous droits strictement réservés. Reproduction ou communication à des tiers int
sous quelque forme que ce soit sans autorisation écrite du propriétaire.
Property of c BERG ELECTRONICS.
Droits de reproduction BERG ELECTRONICS by



All rights strictly reserved. Reproduction or issue to third parties in any for
whatever is not permitted without written authority from the proprietor.
Property of c BERG ELECTRONICS.
Copyright BERG ELECTRONICS by



WITHOUT SENSOR CONTACT
FOR 73725-X1X0B
HOLD DOWN STYLE "C"



DETAIL A 5 : 1

mat'l code		tolerance unless otherwise specified		CUSTOMER COPY	www.fcjconnect.com			
rev.	ecn no.	dr	date	linear	.0 ± .30	projection	title USB UP-RIGHT RECEPT	
AC	N10-0128	A.ZH	05/14/2010		.00 ± .20			
				angles	.000± 0.10		product family USB	
				dr	± 2°			unit
				enr	PETER	01/12/99	mm	TWN
				chr	R Y LIU	01/12/99	scale	sheet
				appd	R Y LIU	01/12/99	A3	4 OF 4
					JENN TSAO	01/12/99	size	73725
sheet	revision							
index	sheet							