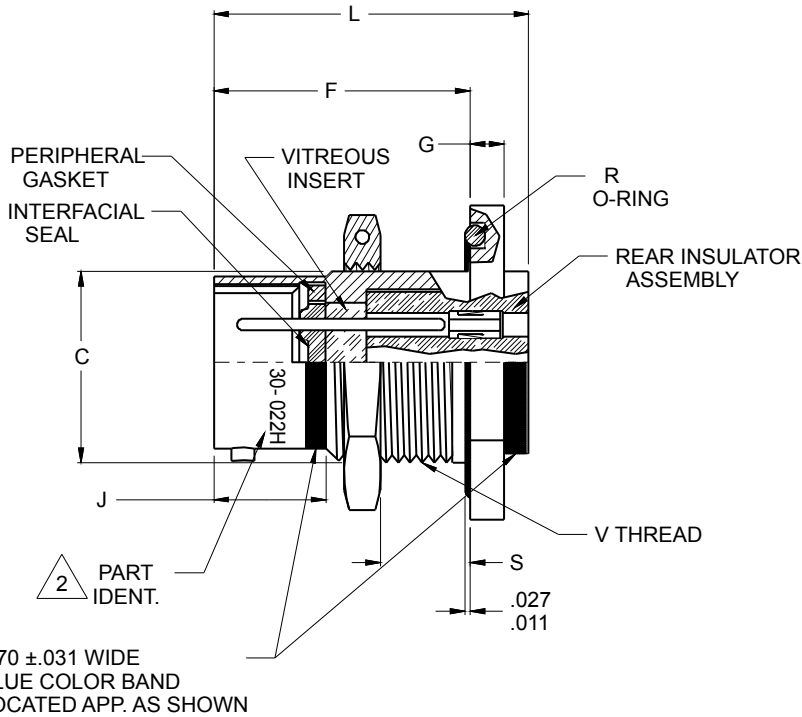
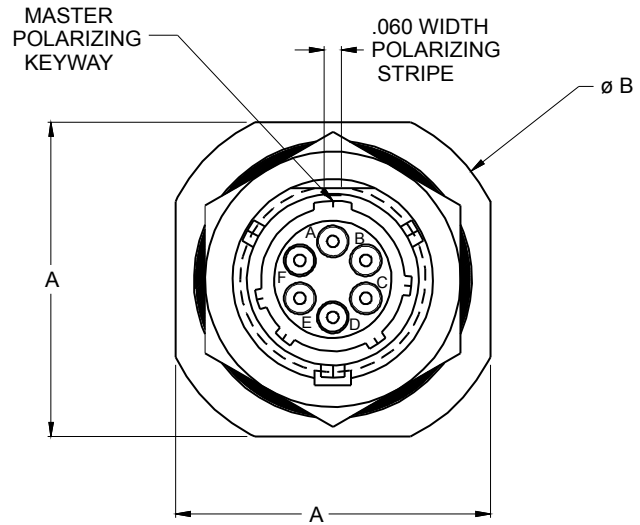
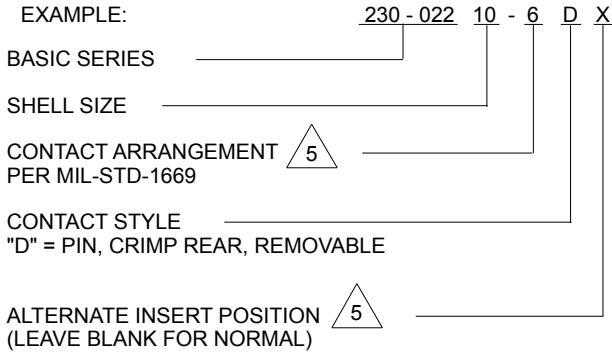
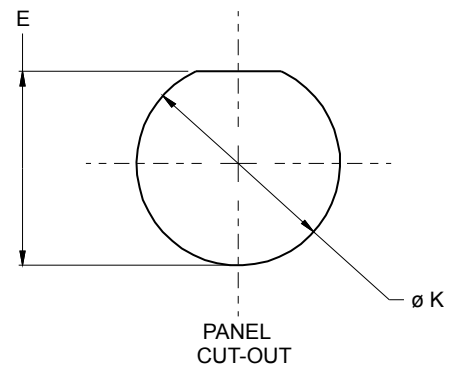


**HOW TO ORDER:**



SHELL SIZE	AVAILABLE CONTACT ARRANGEMENTS
8	-2, -3, -4, -33, -98
10	-6, -98
12	-3, -8, -10
14	-5, -12, -15, -18, -19
16	-8, -23, -99
18	-11, -30, -32
20	-16, -24, -27, -39, -41
22	-21, -32, -34, -41, -55
24	-31, -61



**TABLE II: CONNECTOR DIMENSIONS**

SHELL SIZE	A LENGTH +.000-.031 (+0 - 0.8)	B ø +.000-.031 (+0 - 0.8) ACROSS FLANGE CORNER	C +.000-.010 (+0 - 0.3) MTG. FLAT	E PANEL FLAT LOCATION	F MOUNTING FLANGE LOCATION	G MOUNTING FLANGE THICKNESS	J TO THREAD CHAMFER ±.010 (±0.3)
8	.954 (24.2)	1.078 (27.4)	.530 (13.5)	.536 (13.6)	.887/.867 (22.5/22.0)	.113/.097 (2.9/2.5)	.368 (9.3)
10	1.078 (27.4)	1.203 (30.6)	.655 (16.6)	.661 (16.8)	.887/.867 (22.5/22.0)	.113/.097 (2.9/2.5)	.368 (9.3)
12	1.266 (32.2)	1.391 (35.3)	.818 (20.8)	.824 (20.9)	.887/.867 (22.5/22.0)	.113/.097 (2.9/2.5)	.368 (9.3)
14	1.391 (35.3)	1.516 (38.5)	.942 (23.9)	.948 (24.1)	.887/.867 (22.5/22.0)	.113/.097 (2.9/2.5)	.368 (9.3)
16	1.516 (38.5)	1.641 (41.7)	1.062 (27.0)	1.072 (27.2)	.887/.867 (22.5/22.0)	.113/.097 (2.9/2.5)	.368 (9.3)
18	1.641 (41.7)	1.766 (44.9)	1.191 (30.3)	1.197 (30.4)	.887/.867 (22.5/22.0)	.113/.097 (2.9/2.5)	.368 (9.3)
20	1.828 (46.4)	1.954 (49.6)	1.316 (33.4)	1.322 (33.6)	.916/.896 (23.3/22.8)	.148/.128 (3.8/3.3)	.368 (9.3)
22	1.954 (49.6)	2.078 (52.8)	1.441 (36.6)	1.447 (36.8)	.916/.896 (23.3/22.8)	.148/.128 (3.8/3.3)	.368 (9.3)
24	2.078 (52.8)	2.203 (56.0)	1.566 (39.8)	1.572 (39.9)	.916/.896 (23.3/22.8)	.148/.128 (3.8/3.3)	.395 (10.0)

**TABLE II (CONTINUED): CONNECTOR DIMENSIONS**

SHELL SIZE	K +.010-.005 (+0.3-0.1) PANEL MOUNTING HOLE	L OVERALL LENGTH	N UNE-F-2A MOUNTING THREAD	R O-RING SEAL MS29513-	S PANEL THICKNESS		MAX. WEIGHT (LBS)
					MIN	MAX	
8	.572 (14.5)	1.078 (27.4)	.5625-24	16	.062 (1.6)	.187 (4.7)	TBD
10	.697 (17.7)		.6875-24	18			TBD
12	.885 (22.5)		.875-20	21			TBD
14	1.010 (25.7)		1.000-20	23			TBD
16	1.135 (28.8)		1.125-18	25			TBD
18	1.260 (32.0)		1.250-18	27			TBD
20	1.385 (35.2)	1.140 (29.0)	1.375-18	29	.250 (6.4)	TBD	
22	1.510 (38.4)		1.500-18	30		TBD	
24	1.635 (41.5)		1.625-18	31		TBD	
						TBD	

**NOTES:**

- MATERIAL/FINISH:  
 SHELL - C1215 CRS / TIN PLATED  
 CONTACTS - 52 NICKEL ALLOY / TIN PLATED  
 BAYONETS: STAINLESS STEEL / PASSIVATED  
 SEALS: SILICONE ELASTOMER  
 INSULATION: GLASS, NOIBN  
 REAR INSULATOR: RIGID DIELECTRIC

2 ASSEMBLY TO BE IDENTIFIED WITH GLENAIR'S NAME, PART NUMBER AND DATE CODE SPACE PERMITTING.

- PERFORMANCE:  
 HERMETICITY: <1 X 10<sup>-7</sup> SCCHE/SEC @ 1 ATMOSPHERE DIFFERENTIAL  
 DIELECTRIC WITHSTANDING VOLTAGE: CONSULT FACTORY OR MIL-STD-1669  
 INSULATION RESISTANCE: 5000 MEGOHMS MIN @ 500VDC

- GLENAIR 230-022 WILL MATE WITH ANY QPL MIL-C-26482 SERIES 2 BAYONET COUPLING PLUG OF SAME SIZE AND INSERT POLARIZATION.

5 SEE TABLE I ON SHEET 2 FOR AVAILABLE ARRANGEMENT OPTIONS.

- CONNECTORS ARE SUPPLIED WITH APPLICABLE CRIMP CONTACTS PER MIL-C-39029/15-\*\*-\*\* AND MS3160-\*\* INSERT & REMOVAL TOOL