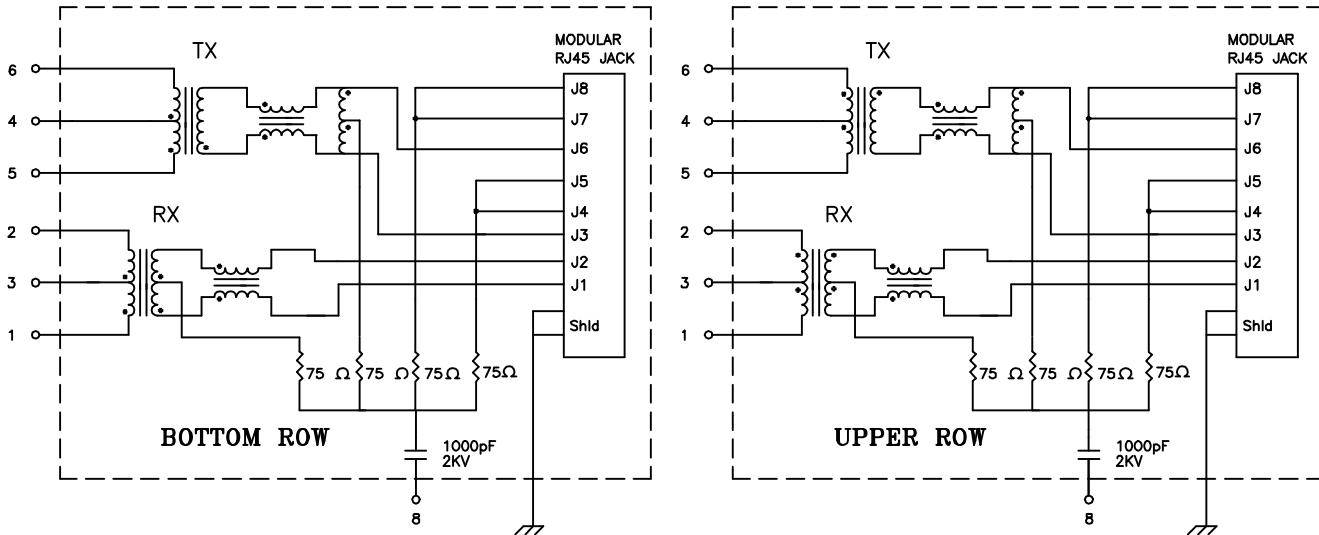


# Schematic:



## Electrical Specifications: 25°C

- Turns Ratio: TX 1CT:1CT±3%, RX 1CT:1CT±3%
- Isolation Voltage: 1500 Vrms (INPUT to OUTPUT)
- UTP Side OCL: 350uH Min @100KHz 100mV 8mADC
- Rise Time (10–90%): 2.5ns Typical
- Insertion Loss (1–100MHz): –1.0dB Maximum
- Insertion Loss (100MHz–125MHz): –1.5dB Typ.
- Return Loss: –20dB Typ. @30MHz  
–12dB Typ @80MHz
- Crosstalk 32MHz: 40.0dB Min  
62MHz: 35.0dB Min  
100MHz: 30.0dB Min
- CMRR 100KHz–100MHz: 35.0dB Typ

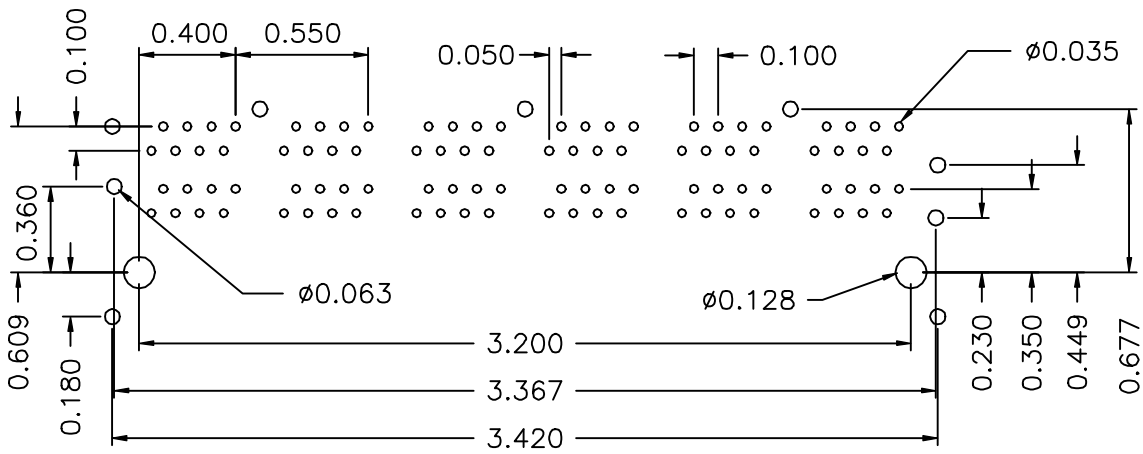
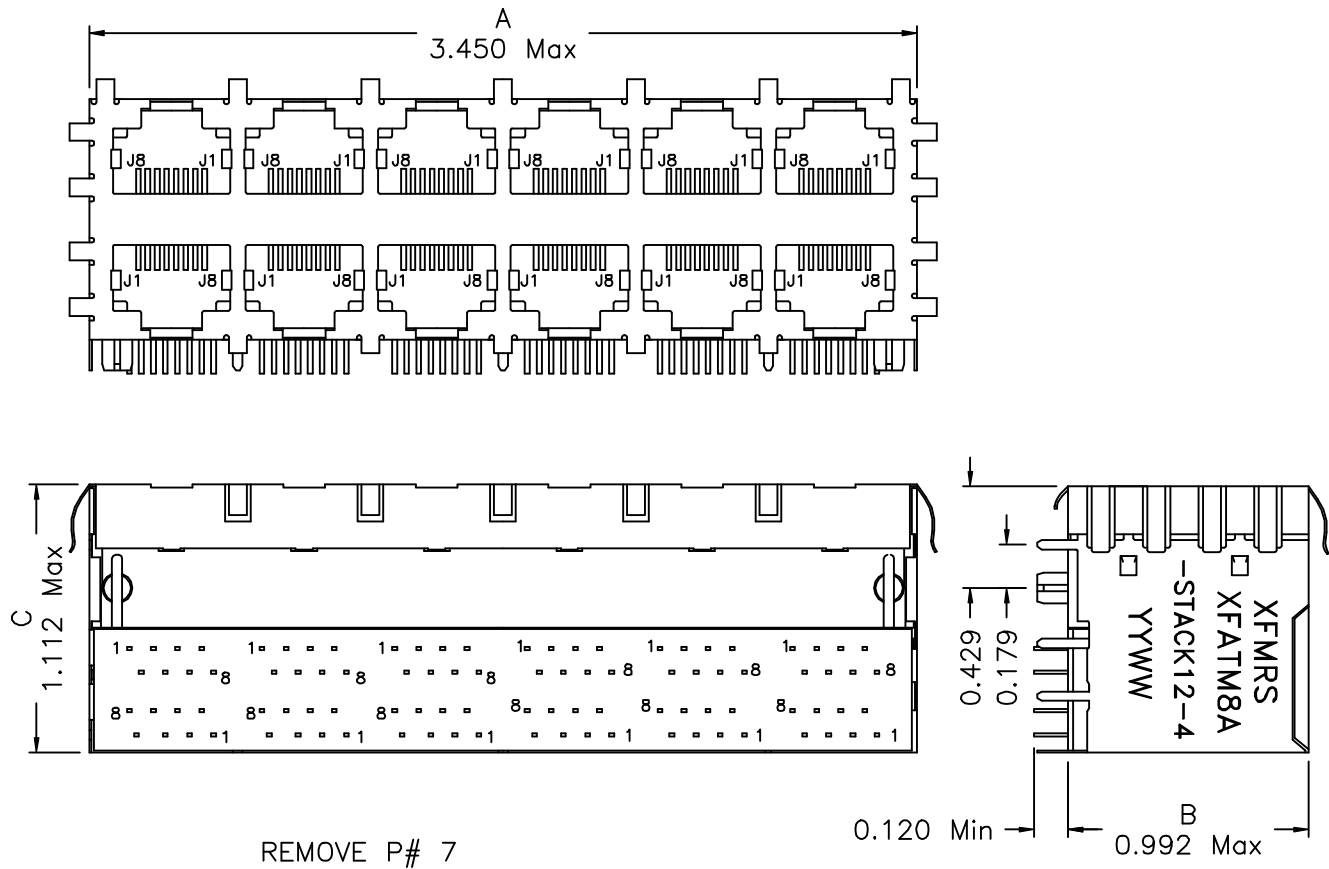
**Notes:**

1. Solderability: Leads shall meet MIL-STD-202, Method 208D for solderability.
2. Flammability: UL94V-0
3. ASTM oxygen index: > 28%
4. Temperature rating: 155°C. UL file E151556
5. Operating Temperature Range: All listed parameters are to be within tolerance from 0°C to +70°C

DOC. REV. A/2

<b>XFMRs Inc.</b>	Title: <b>2x6 STACKED COMBO SERIES</b>		
	UNLESS OTHERWISE SPECIFIED	P/N: XFATM8A-STACK12-4	REV. A
TOLERANCES: .xxx ±0.010	DWN.	廖玉坤	Nov-16-01
Dimensions in Inch	CHK.	李清儿	Nov-16-01
SHEET 1 OF 2	APP.	Joe Huff	Nov-16-01

### Mechanical Dimensions:



SUGGESTED MOUNTING PATTERN (COMPONENT SIDE)

DOC. REV. A/2

<b>XFMRs Inc.</b>	Title: Mechanical Dimensions For 2x6 STACKED COMBO Series		
	UNLESS OTHERWISE SPECIFIED TOLERANCES: .xxx ±0.010 Dimensions in Inch	P/N: XFATM8A-STACK12-4	REV. A
		DWN.	廖玉坤 Nov-16-01
		CHK.	李清儿 Nov-16-01
SHEET 2 OF 2	APP.	Joe Huff Nov-16-01	