

IEC Appliance Inlet C14 with Line Switch 1- or 2-pole



C14

 70° C

**Description**

- Panel Mount:
Screw-on version from front or rear side, snap-in version from front side
- 2 Functions:
Appliance Inlet Protection class I, Line Switch 1- or 2-pole
- Quick connect terminals 4.8 x 0.8 mm
- Alternative: version with line filter [DC12](#)
- Substitute for type [KEB1](#); [KEB2](#) Meets the glow wire test acc. IEC60335-1 edition 4

Approvals

- VDE License Number: 40007009
- UL License Number: E96454

Characteristics

- Ultra-compact design
- All single elements are already wired
Unwired versions available on request
- Line switch non-illuminated or illuminated
- Ideal for application with high transient loads
- Qualified for use in equipment according IEC/EN 60950

Other versions on request

- Snap-in, panel thickness 1 and 3 mm
- Unwired versions
- Solder terminals
- Line switch with other rocker marking
- For protection class II

References

[General Product Information](#)

Weblinks

[Approvals](#), [RoHS](#), [CHINA-RoHS](#), [Mating Connectors](#), [e-Store](#), [Distributor-Stock-Check](#), [Accessories](#)

Technical Data

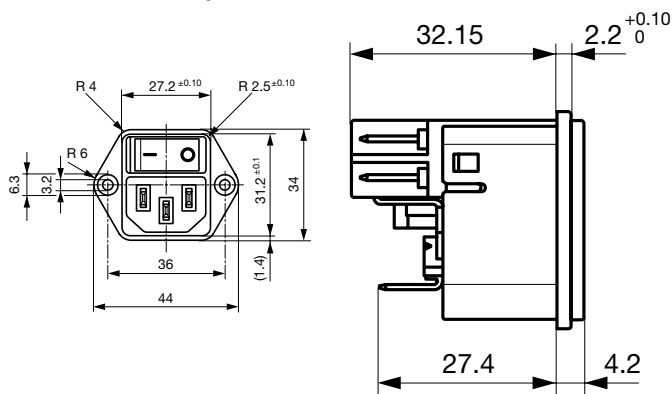
Ratings IEC	10A / 250VAC; 50Hz
Ratings UL/CSA	15A / 250VAC; 50/60Hz ¹⁾
Dielectric Strength	> 2.5 kVAC between L-N > 3 kVAC between L/N-PE (1 min/50Hz)
Allowable Operation Temp.	-25 °C to 70 °C
Degree of Protection	from front side IP 40 acc. to IEC 60529
Protection Class	Suitable for appliances with protection class 1 acc. to IEC 61140
Terminal	Quick connect terminals 4.8 x 0.8 mm
Panel Thickness s	Screw: max 6 mm Mounting screw torque max 0.5Nm Snap-in: 1.5/2/2.5 mm
Material: Housing	Thermoplastic, black, UL 94V-0

Appliance Inlet	C14 acc. to IEC/EN 60320-1, UL 498, CSA C22.2 no. 42 (for cold conditions) pin-temperature 70 °C, 10A, Protection Class 1
Line Switch	Rocker switch 1 or 2 pole, non-illuminated or illuminated, acc. to IEC 61058-1 Technical details

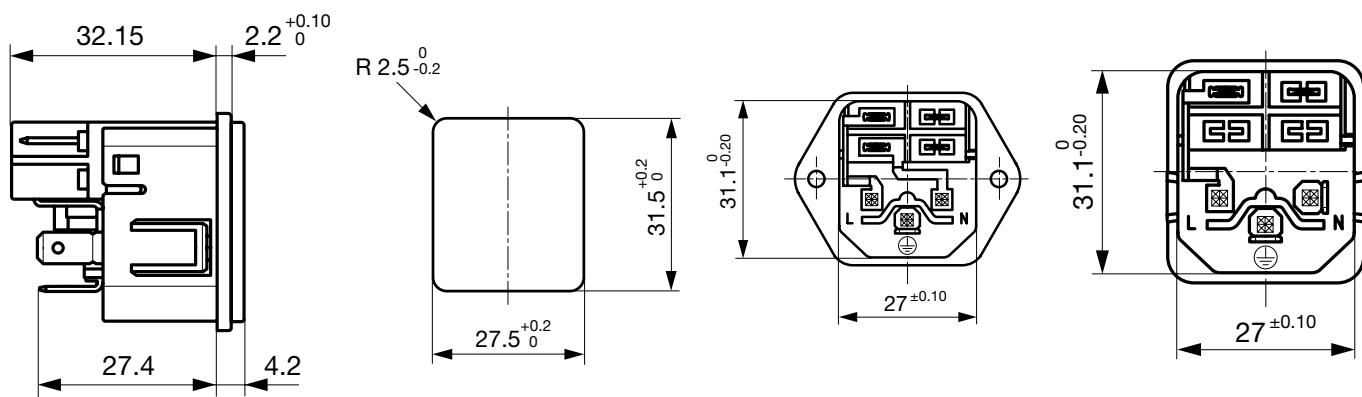
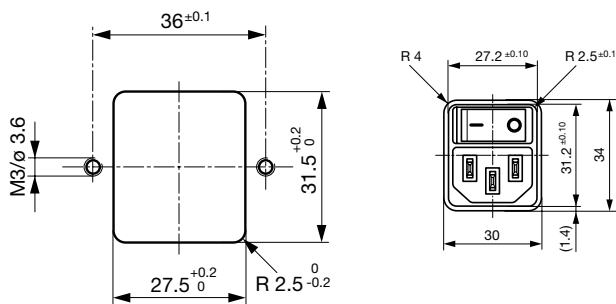
1) Standard version 12 A / special version 15A

Dimensions

Screw on PCB mounting



Snap-in mounting

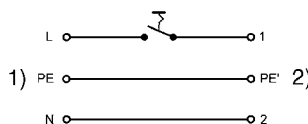
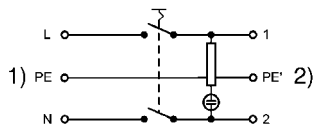
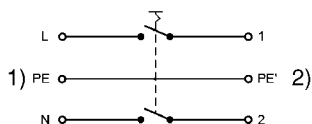


Diagrams

Line switch non-illuminated 2-pole

Line switch illuminated 2-pole

Line switch non-illuminated 1-pole



1) Line
2) Load

1) Line
2) Load

1) Line
2) Load

Variants

with internal connections

Rated Current UL [A]	Panel mounting	Panel Thickness s [mm]	Line Switch	Illumination	Color	Order Number
12	Screw	-	2-pole	●	red	DC11.0021.001
15	Screw	-	2-pole	●	red	DC11.0021.006
12	Screw	-	2-pole	●	green	DC11.0031.001
12	Screw	-	1-pole	-	-	DC11.0001.003
15	Screw	-	1-pole	-	-	DC11.0001.007
12	Screw	-	2-pole	-	-	DC11.0001.001
15	Screw	-	2-pole	-	-	DC11.0001.006
12	Snap-in	1.5	2-pole	●	red	DC11.0021.201
15	Snap-in	1.5	2-pole	●	red	DC11.0021.206
12	Snap-in	2	2-pole	●	red	DC11.0021.301
12	Snap-in	2.5	2-pole	●	red	DC11.0021.401
12	Snap-in	1.5	2-pole	●	green	DC11.0031.201
12	Snap-in	2	2-pole	●	green	DC11.0031.301
12	Snap-in	2.5	2-pole	●	green	DC11.0031.401

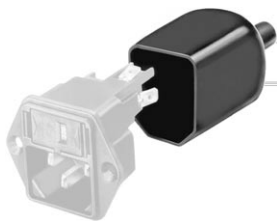
Rated Current UL [A]	Panel mounting	Panel Thickness [mm]	Line Switch	Illumination	Color	Order Number
12	Snap-in	1.5	1-pole		-	DC11.0001.203
15	Snap-in	1.5	1-pole		-	DC11.0001.207
12	Snap-in	2	1-pole		-	DC11.0001.303
12	Snap-in	2.5	1-pole		-	DC11.0001.403
12	Snap-in	1.5	2-pole		-	DC11.0001.201
15	Snap-in	1.5	2-pole		-	DC11.0001.206
12	Snap-in	2	2-pole		-	DC11.0001.301
12	Snap-in	2.5	2-pole		-	DC11.0001.401

All variants according VDE (ENEC 10) approved for 10 A

Packaging unit 50 Pcs

Accessories

Description



Assorted Covers
Rear Cover

0859.0047

4311.9403



Cord retaining kits
Cord retaining strain relief

Flat head, A

4700.0001

Countersunk, B

4700.0002

Mating Outlets/Connectors

Category / Description

[Appliance Outlet Overview complete](#)



IEC Appliance Outlet F, Screw-on Mounting, Front Side, Solder or Quick-connect Terminal

4787

IEC Appliance Outlet F, Snap-in Mounting, Front Side, Solder or Quick-connect Terminal

4788

IEC Appliance Outlet F or H, Screw-on Mounting, Front Side, Solder, PCB or Quick-connect Terminal

5091

IEC Appliance Outlet F or H, Screw-on Mounting, Front Side, Solder or Quick-connect Terminal

5092

[Appliance Outlet further types to DC11](#)

[Connector Overview complete](#)



IEC Connector C15, Rewireable, Straight

0101

IEC Connector C15A, Rewireable, Straight

0102

IEC Connector C15A, Rewireable, Straight

0102-G

IEC Connector C15A, Rewireable, Angled

0112

IEC Connector C13, Rewireable, Angled

4012

[Connector further types to DC11](#)

...

Category / Description

[Power Cord Overview complete](#)



Power Cord with IEC Connector C13, Angled	0311
Power Cord with IEC Connector C13, Angled	3011
Power Cord with IEC Connector C13, Angled	3012
Power Cord with IEC Connector C13, Angled	3013
Power Cord with IEC Connector C13	3020
Power Cord further types to DC11	...