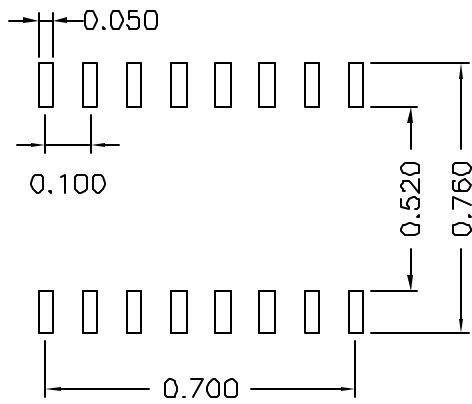
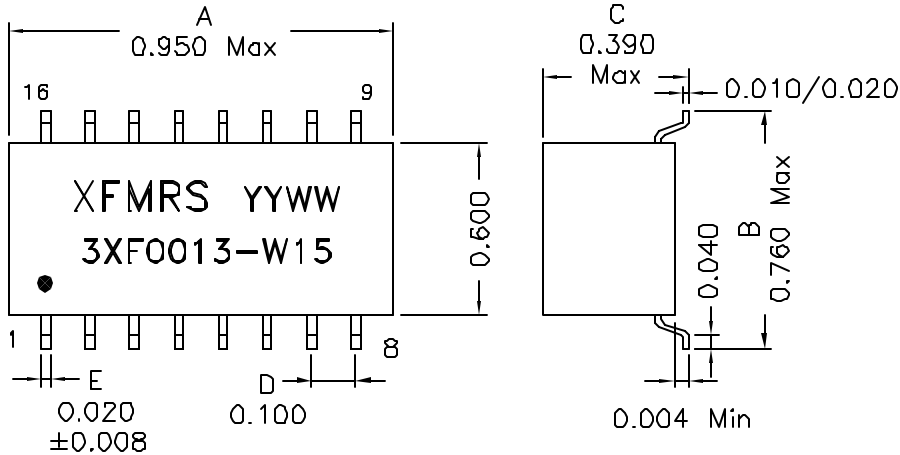


1. Dimensions:

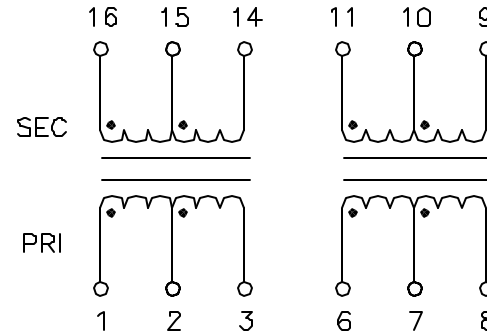


SUGGESTED PCB LAYOUT

Notes:

1. Solderability: Leads shall meet MIL-STD-202G, Method 208H for solderability.
2. Flammability: UL94V-0
3. ASTM oxygen index: > 28%
4. Insulation System: Class F 155°C. UL file E151556
5. Operating Temperature Range: All listed parameters are to be within tolerance from -40°C to +85°C
6. Storage Temperature Range: -55°C to +125°C
7. Aqueous wash compatible
8. SMD Lead Coplanarity: ±0.004*(0.102mm)
9. Electrical and mechanical specifications 100% tested
10. RoHS Compliant Component

2. Schematic:



2. Electrical Specifications @25°C

- TURN RATIO: P1-2-3:P16-15-14 1CT:1CT±5%
- TURN RATIO: P6-7-8:P11-10-9 1CT:2CT±5%
- OCL: P1-3,P6-8 1.2 mH Min @100KHz 0.1V
- LL: P1-3 0.5uH Max @100KHz 0.1V
- LL: P6-8 0.8uH Max @100KHz 0.1V
- CW/W: P1-16 20pF Max @100KHz 0.1V
- CW/W: P6-11 25pF Max @100KHz 0.1V
- DCR: P1-3,P6-8 0.50 Ohms Max
- DCR: P16-14 0.70 Ohms Max
- DCR: P9-11 1.10 Ohms Max
- HIPOT: 3000Vrms

DOC. REV C/6

PROPRIETARY

Document is the property of XFMRs Group & is not allowed to be duplicated without authorization.

XFMRs Inc www.XFMRs.com		Title: SMD TRANSFORMER FOR ISDN S-INTERFACE	
UNLESS OTHERWISE SPECIFIED TOLERANCES: .xxx ±0.010 Dimensions in Inch SHEET 1 OF 2	P/N: 3XF0013-W15		REV. C
	DWN.	Juan Mao	Nov-13-07
	CHK.	YK Liao	Nov-13-07
	APP.	BW	Nov-13-07