



Flyback Transformers for PoE



- Flyback transformers for 6 W and 13 W PoE applications
- Designed to operate with 36 – 72 V input at 250 kHz
- 1500 Vrms isolation from primary and bias to secondary

Designer's Kit C372 contains two samples of parts shown in bold

Core material Ferrite

Terminations RoHS tin-silver over tin over nickel over phos bronze. Other terminations available at additional cost.

Weight 5.0 – 5.6 g

Ambient temperature –40°C to +125°C

Storage temperature Component: –40°C to +125°C.
Packaging: –40°C to +80°C

Resistance to soldering heat Max three 40 second reflows at +260°C, parts cooled to room temperature between cycles

Moisture Sensitivity Level (MSL) 1 (unlimited floor life at <30°C / 85% relative humidity)

Failures in Time (FIT) / Mean Time Between Failures (MTBF)
38 per billion hours / 26,315,789 hours, calculated per Telcordia SR-332

Packaging 200 per 13" reel Plastic tape: 44 mm wide, 0.4 mm thick, 28 mm pocket spacing, 9.6 mm pocket depth

PCB washing Only pure water or alcohol recommended

Part number ¹	Power (W)	Inductance at 0 A ² ±10% (µH)	Inductance at I _{pk} ³ min (µH)	DCR max (Ohms) ⁴			Leakage inductance ⁵ max (µH)	Turns ratios ⁶		I _{pk} ³ (A)	Output ⁷
				pri	sec	bias		pri:sec	pri:bias		
POE60F-18L	6	75.0	67.5	0.195	0.005	0.195	8.0	1 : 0.07	1 : 0.36	1.3	1.8 V, 3.3 A
POE60F-25L	6	55.0	49.5	0.095	0.005	0.150	4.6	1 : 0.08	1 : 0.33	1.2	2.5 V, 2.4 A
POE60F-33L	6	65.0	58.5	0.138	0.007	0.180	3.9	1 : 0.11	1 : 0.36	1.2	3.3 V, 1.8 A
POE60F-50L	6	60.0	54.0	0.130	0.009	0.165	2.3	1 : 0.15	1 : 0.35	1.1	5.0 V, 1.2 A
POE60F-12L	6	55.0	49.5	0.095	0.017	0.150	0.7	1 : 0.35	1 : 0.35	1.1	12 V, 0.5 A
POE13F-18L	13	45.0	40.5	0.195	0.005	0.195	7.9	1 : 0.07	1 : 0.36	2.3	1.8 V, 7.2 A
POE13F-25L	13	35.0	31.5	0.095	0.005	0.150	4.2	1 : 0.08	1 : 0.33	2.2	2.5 V, 5.2 A
POE13F-33L	13	40.0	36.0	0.138	0.007	0.180	3.4	1 : 0.11	1 : 0.36	2.2	3.3 V, 3.9 A
POE13F-50L	13	40.0	36.0	0.130	0.009	0.165	1.9	1 : 0.15	1 : 0.35	2.1	5.0 V, 2.6 A
POE13F-12L	13	35.0	31.5	0.095	0.017	0.150	0.6	1 : 0.35	1 : 0.35	2.0	12 V, 1.1 A
POE13F-19L	13	37.0	33.3	0.085	0.025	0.385	0.4	1 : 0.57	1 : 0.35	2.0	19.5 V, 0.67 A
POE13F-24L	13	37.0	33.3	0.086	0.049	0.370	0.4	1 : 0.67	1 : 0.33	2.0	24 V, 0.54 A

1. When ordering, please specify **packaging** code:

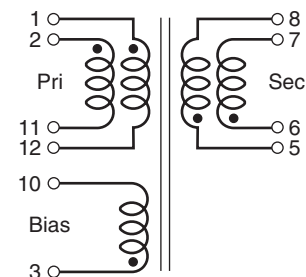
POE13F-12L D

Packaging: **D** = 13" machine-ready reel. EIA-481 embossed plastic tape (200 parts per full reel).

B = Less than full reel. In tape, but not machine ready. To have a leader and trailer added (\$25 charge), use code letter D instead.

- Inductance is for the primary, measured at 250 kHz, 0.3 Vrms.
- Peak primary current drawn at minimum input voltage.
- DCR for the primary and for the secondary are with the windings connected in parallel.
- Leakage inductance is for the primary windings with the secondary windings shorted.
- Turns ratios are with the primary the secondary windings connected in parallel.
- Output of the secondary is with the windings connected in parallel. Bias winding output is 12 V, 20 mA.
- Electrical specifications at 25°C.

Refer to Doc 362 "Soldering Surface Mount Components" before soldering.



Primary windings and secondary windings to be connected in parallel on PCB board.

Coilcraft[®]

Specifications subject to change without notice.
Please check our website for latest information.

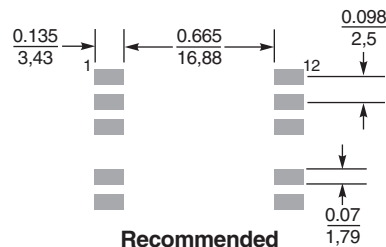
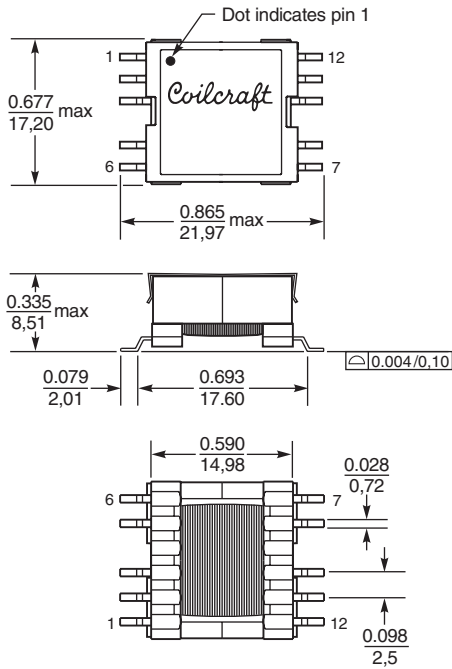
Document 381-1 Revised 10/28/08

1102 Silver Lake Road Cary, Illinois 60013 Phone 847/639-6400 Fax 847/639-1469

E-mail info@coilcraft.com Web <http://www.coilcraft.com>



Flyback Transformers for PoE



Recommended Land Pattern

Dimensions are in $\frac{\text{inches}}{\text{mm}}$



Specifications subject to change without notice.
Please check our website for latest information.

Document 381-2 Revised 10/28/08

1102 Silver Lake Road Cary, Illinois 60013 Phone 847/639-6400 Fax 847/639-1469

E-mail info@coilcraft.com Web <http://www.coilcraft.com>