

IDC

EDGE CARD

- Industry compatible
- Competitively priced
- Selective gold plated contacts
- 2.54mm pitch
- Complete with Strain Relief



SPECIFICATION

Material & Finish

Insulator: PBT UL94V-0

Contact: Brass

Electrical Characteristics

Rating Current: 1 Amp DC

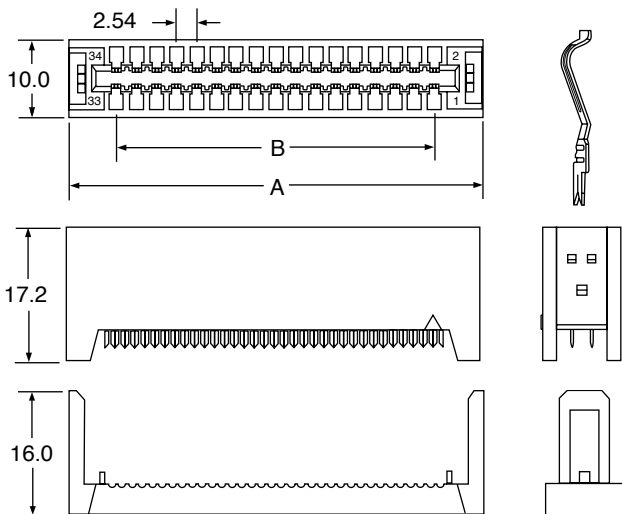
Contact Resistance: 30 mΩ max

Insulation Resistance: 3000MΩ min.

Dielectric Voltage: 500v AC for 1 minute

Operating Temperature: -40°C to +105°C

OUTLINE DRAWING



Position	A	B
10	22.36	10.16
14	27.44	15.24
16	29.98	17.78
20	35.06	22.86
26	42.68	30.48
34	52.84	40.64
40	60.46	48.26
44	65.54	53.34
50	73.16	60.96
56	80.78	68.58
60	85.86	73.66
62	88.40	76.20
64	90.94	78.74

ORDERING INFORMATION

DBC	A08	10	A	S	1
Dubilier Connectors	Series	No. of Contacts	Contact Material	Contact Plating	Colour
		10 = 10Way 14 = 14Way 16 = 16Way 20 = 20Way 26 = 26Way 34 = 34Way 40 = 40Way 44 = 44Way 50 = 50Way 56 = 56Way 60 = 60Way 62 = 62Way 64 = 64Way	A = Brass	S = Selective Gold	1 = Black

SECTION 15