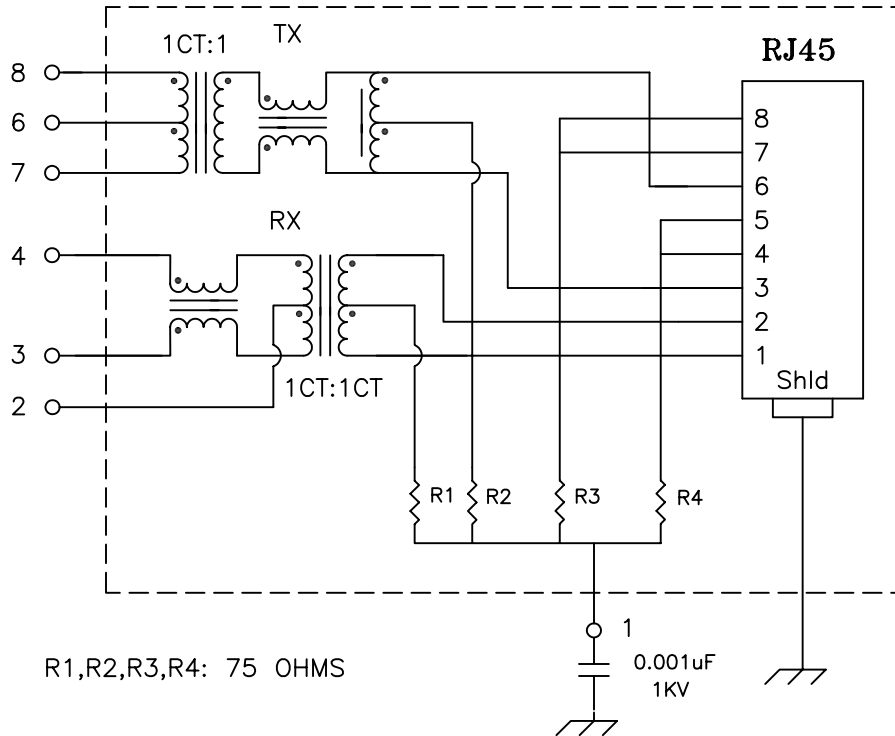


Schematic:



Electrical Specifications: @25°C

Isolation Voltage: 1500 Vrms (INPUT to OUTPUT)

Isolation Voltage: 500 Vrms (6+7+8-2+3+4)

URNS RATIO: TX 1CT:1 ±5% RX 1CT:1CT ±5%

OCL: 350uH Minimum @100KHz 100mV 8mADC

Insertion Loss (300KHz-100MHz): -1.0dB Typical

Return Loss: 30MHz -16dB Typical

60MHz -12dB Typical

80MHz -10dB Typical

CROSSTALK: 32MHz -40dB Minimum

62MHz -35dB Minimum

100MHz -35dB Minimum

Note:

1. Solderability: Leads shall meet MIL-STD-202, Method 208D for solderability.
2. Flammability: UL94V-0,
3. ASTM oxygen index: > 28% ,
4. Temperature rating: 155°C. UL file E151556,
5. Operating Temperature Range: All listed parameters are to be within tolerance from -40°C to +85°C

XFMRs Inc.

Title: **SINGLE PORTS COMBO**

UNLESS OTHERWISE SPECIFIED

P/N: XFATM6-COMBO1-4

REV. C

TOLERANCES:

DWN.

廖玉坤

Feb-25-01

.xxx ±0.010

CHK.

李清儿

Feb-25-01

Dimensions in Inch

APP.

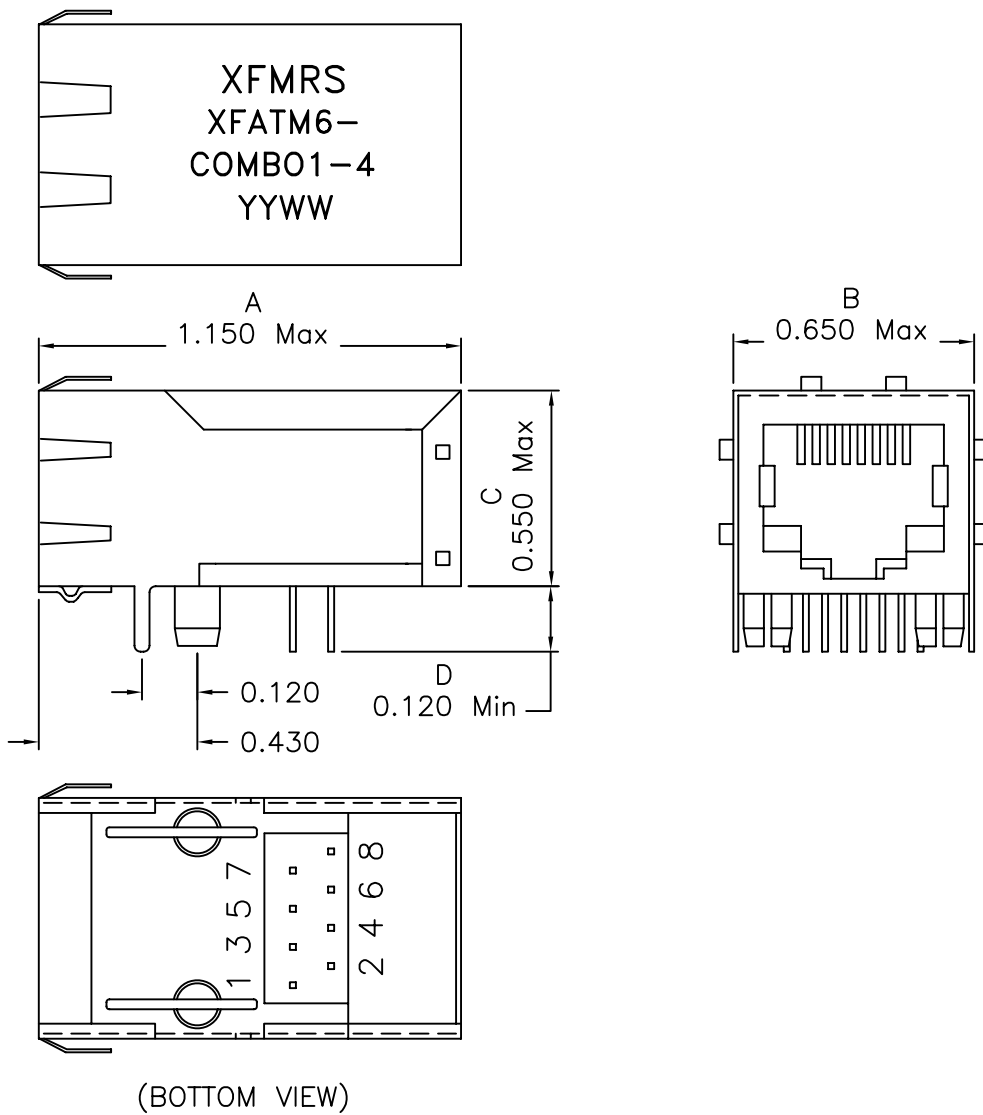
BW

Feb-25-01

SHEET 1 OF 2

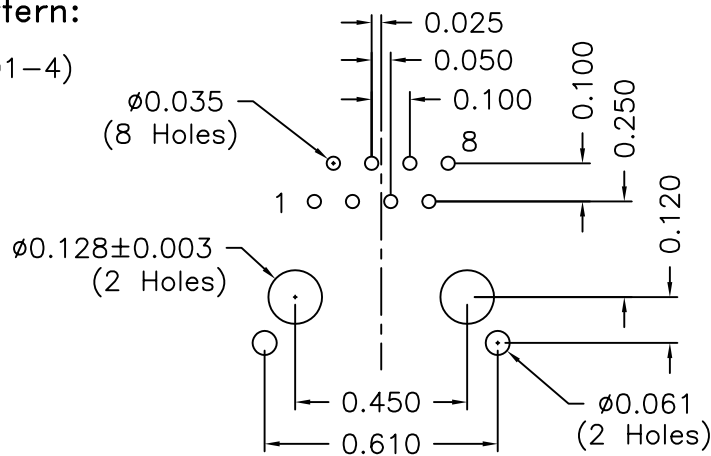
DOC. REV: C/1

Mechanical Dimensions:



Mounting Pattern:

(FOR COMBO1-4)
(COMP SIDE)



DOC. REV: C/1

XFMR5 Inc.	Title: Mechanical Dimensions For COMBO1-4 Series		
	UNLESS OTHERWISE SPECIFIED TOLERANCES: .xxx ±0.010 Dimensions in Inch	P/N: XFATM6-COMBO1-4	REV. C
	DWN.	廖玉坤	Feb-25-01
	CHK.	李清儿	Feb-25-01
SHEET 2 OF 2	APP.	BW	Feb-25-01