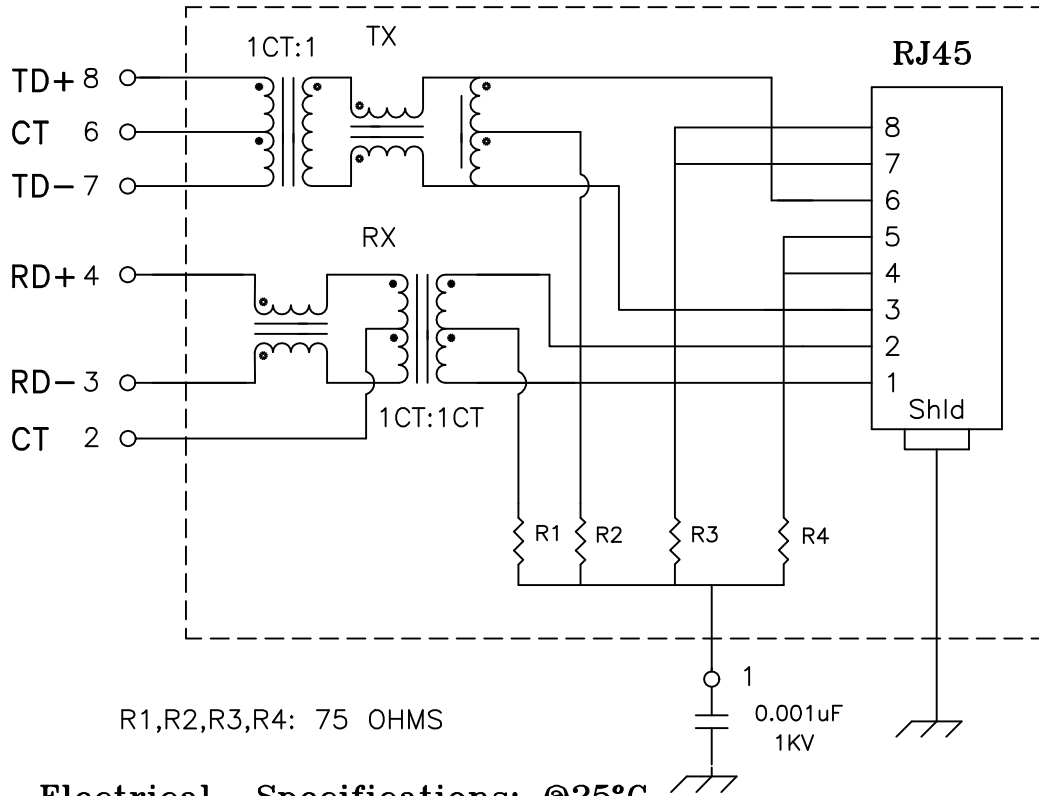


Schematic:



Electrical Specifications: @25°C

- Isolation Voltage: 1500 Vrms (INPUT to OUTPUT)
- Isolation Voltage: 500 Vrms (6+7+8-2+3+4)
- TURNS RATIO: TX 1CT:1 ±5% RX 1CT:1CT ±5%
- OCL: 350uH Minimum @100KHz 100mV 8mADC
- Insertion Loss (300KHz-100MHz): -1.0dB Typical
- Return Loss: 30MHz -16dB Typical
 - 60MHz -12dB Typical
 - 80MHz -10dB Typical
- CROSSTALK: 32MHz -40dB Minimum
 - 62MHz -35dB Minimum
 - Note: 100MHz -35dB Minimum

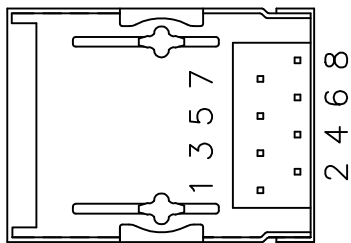
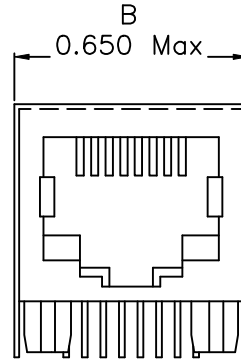
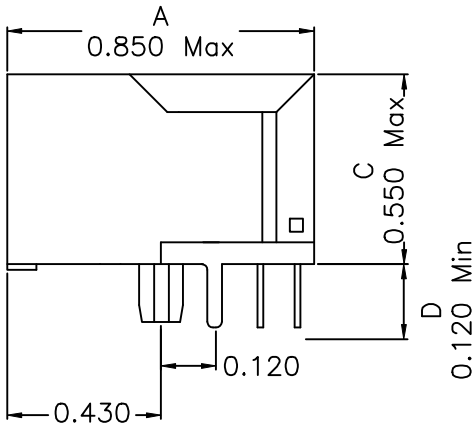
- Note:
1. Solderability: Leads shall meet MIL-STD-202, Method 208D for solderability.
 2. Flammability: UL94V-0,
 3. ASTM oxygen index: > 28% ,
 4. Temperature rating: 155°C. UL file E151556,
 5. Operating Temperature Range: 0°C to +70°C

PRELIMINARY

XFMRs Inc.	Title: SINGLE PORT COMBO		
	UNLESS OTHERWISE SPECIFIED	P/N: XFATM6-COMBO1-2MS	REV. A
TOLERANCES: .xxx ±0.010	DWN.	李小锋	Mar-27-02
Dimensions in Inch	CHK.	廖玉坤	Mar-27-02
SHEET 1 OF 2	APP.	BW	Mar-27-02

DOC. REV: A/1

Mechanical Dimensions:

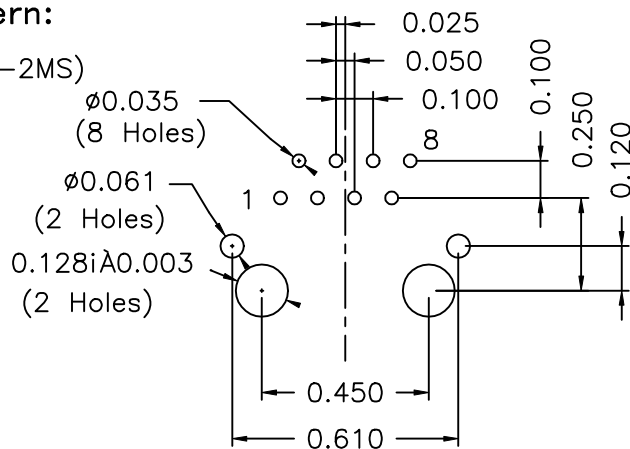


(BOTTOM VIEW)

PRELIMINARY

Mounting Pattern:

(FOR COMBO1-2MS)
(COMP SIDE)



DOC. REV. A/1

XFMRs Inc.	Title: Mechanical Dimensions For COMBO1-2MS Series	
	UNLESS OTHERWISE SPECIFIED TOLERANCES: .xxx ±0.010 Dimensions in Inch	P/N: XFATM6-COMBO1-2MS
SHEET 2 OF 2	APP.	REV. A
	DWN.	李小锋 Mar-27-02
	CHK.	廖玉坤 Mar-27-02
		Mar-27-02