

Description

Dual center tap Schottky rectifier designed for high frequency Switched Mode Power Supplies.

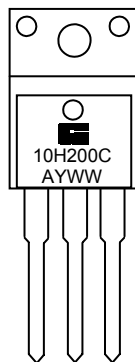
Features

- High junction temperature capability
- Good trade off between leakage current and forward voltage drop
- Low leakage current

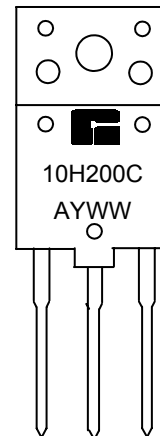
Applications

- | | |
|--|--|
| <ul style="list-style-type: none"> ■ Switching Power Supply ■ Industrial Application ■ Computer and Peripheral ■ Home Appliance ■ Consumer Product ■ Battery Charger/Adapter | <ul style="list-style-type: none"> ■ LCD Monitor/TV ■ AC-DC Converter ■ DC-DC Converter ■ Telecommunication ■ Free Wheeling Diodes ■ Polarity Protection |
|--|--|

Marking Information and Pin Configurations (Top View)



TO - 220FPAB & TO - 220AB



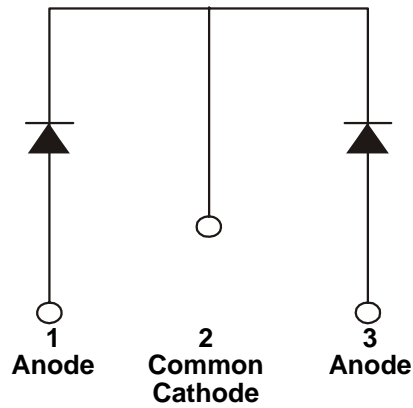
TO - 3PF

10: Maximum average forward rectified current - 10A
 H: Low V_F family
 200: Repetitive peak reverse voltage - 200V
 C: Dual Cathode Common
 A: Assembly Location
 Y: Year
 WW: Work Week

Ordering Information

| ORDERING NUMBER | PACKAGE | SHIPPING |
|-----------------|-----------|----------------|
| GMR10H200CTB3T | TO220AB | 50 Units/ Tube |
| GMR10H200CTBF3T | TO220FPAB | 50 Units/ Tube |
| GMR10H200CTPF3 | TO-3PF | 30 Units/ Tube |

Block Diagram



Absolute Maximum Ratings

| PARAMETER | SYMBOL | VALUE | UNITS |
|--|--------------|-------------|-------|
| Repetitive Peak Reverse Voltage | V_{RPM} | 200 | V |
| RMS Forward Current | $I_{F(RMS)}$ | 10 | A |
| Peak Forward Surge Current 8.3ms single half sine-wave superimposed on rated load (JEDEC METHOD) | I_{FSM} | 110 | A |
| Maximum Operating Junction Temperature | T_J | 175 | °C |
| Operating storage temperature | T_{STG} | -45 to +150 | °C |
| Voltage Rate of Change | dV/dt | 10,000 | V/μs |
| Electrostatic Discharge Voltage. JEDEC Method. ESD HBM. Contact | V_{ESD} | ± 8 | kV |

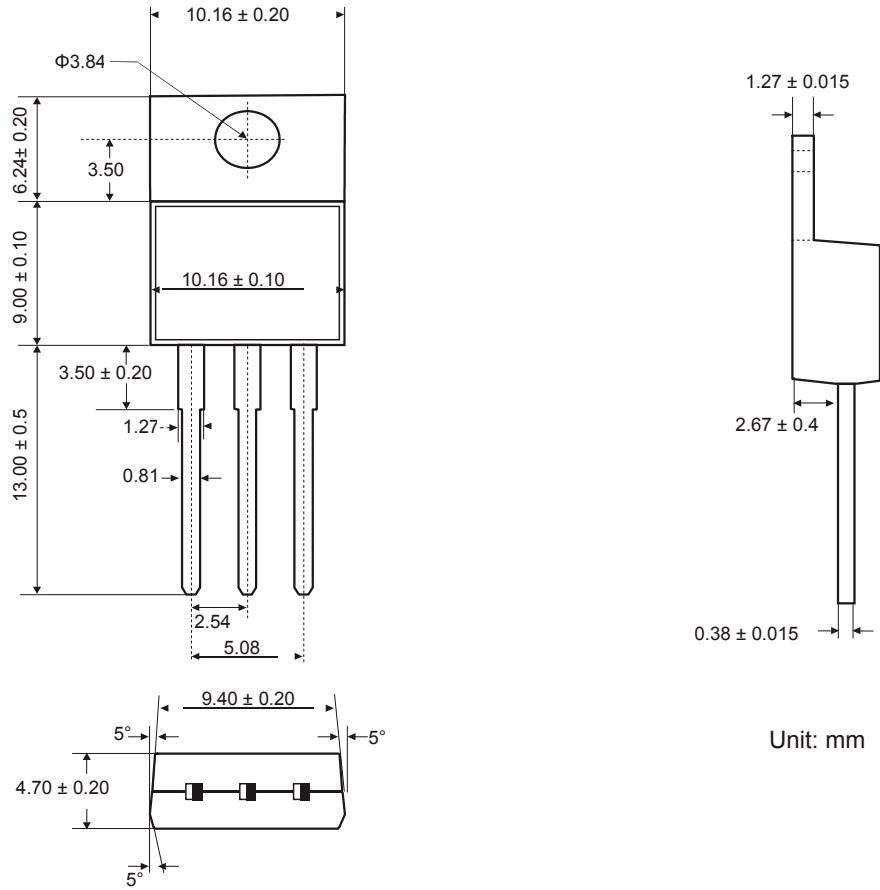
Thermal Characteristics

| PARAMETER | SYMBOL | TO220AB | TO220FPAB | TO-3PF | UNITS |
|----------------------------|---------------|---------|-----------|--------|-------|
| Typical thermal resistance | Θ_{JC} | 2.4 | 4.2 | 1.2 | °C/W |

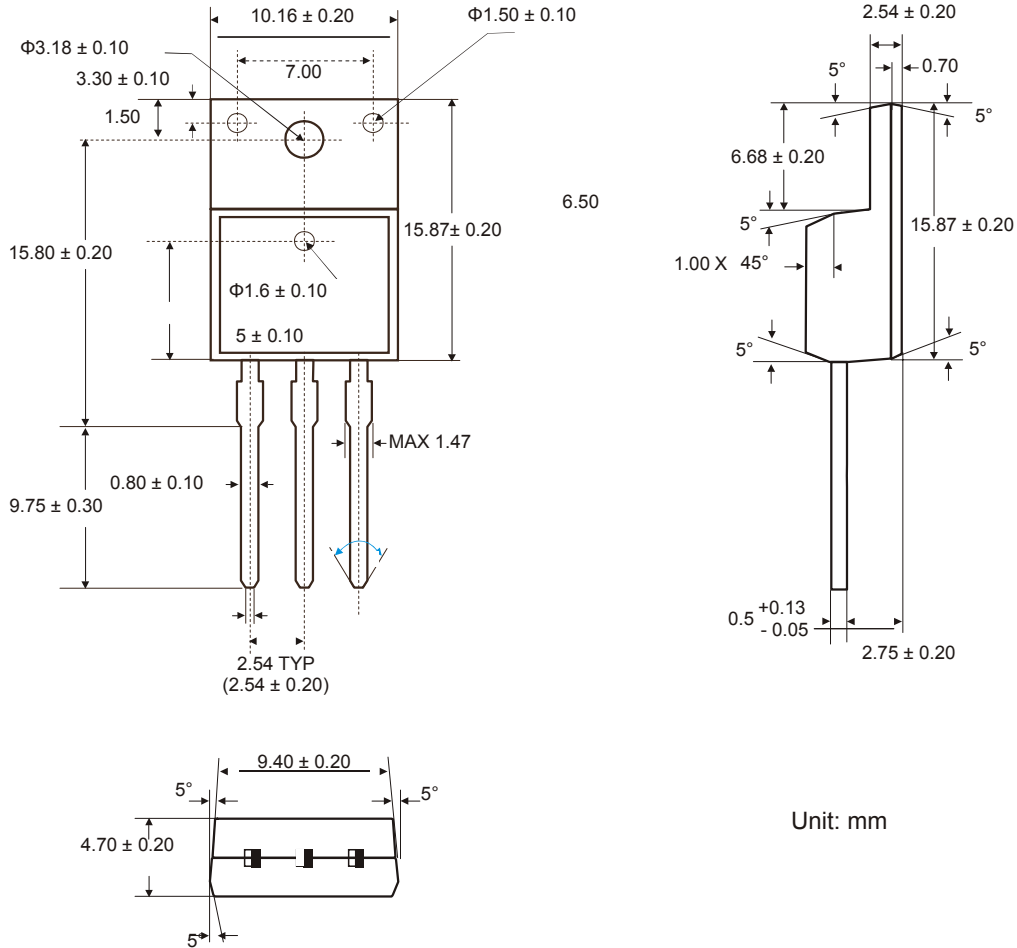
Electrical Characteristics (per diode) $T_J = 25^\circ\text{C}$, Unless otherwise noted

| PARAMETER | SYMBOL | Test Condition | Min | Typ | Max | Units |
|-----------------------------------|-------------|--|-----|------|------|-------|
| DC Forward Voltage | V_F | $I_F = 5\text{A}$ | | 0.85 | 0.89 | V |
| Average Rectified Forward Current | $I_{F(AV)}$ | | | | 5.0 | A |
| Maximum Reverse Current | I_R | $V_R = 200\text{V}$ | - | - | 5 | μA |
| | | $V_R = 200\text{V}, T_J = 125^\circ\text{C}$ | | - | 5 | mA |

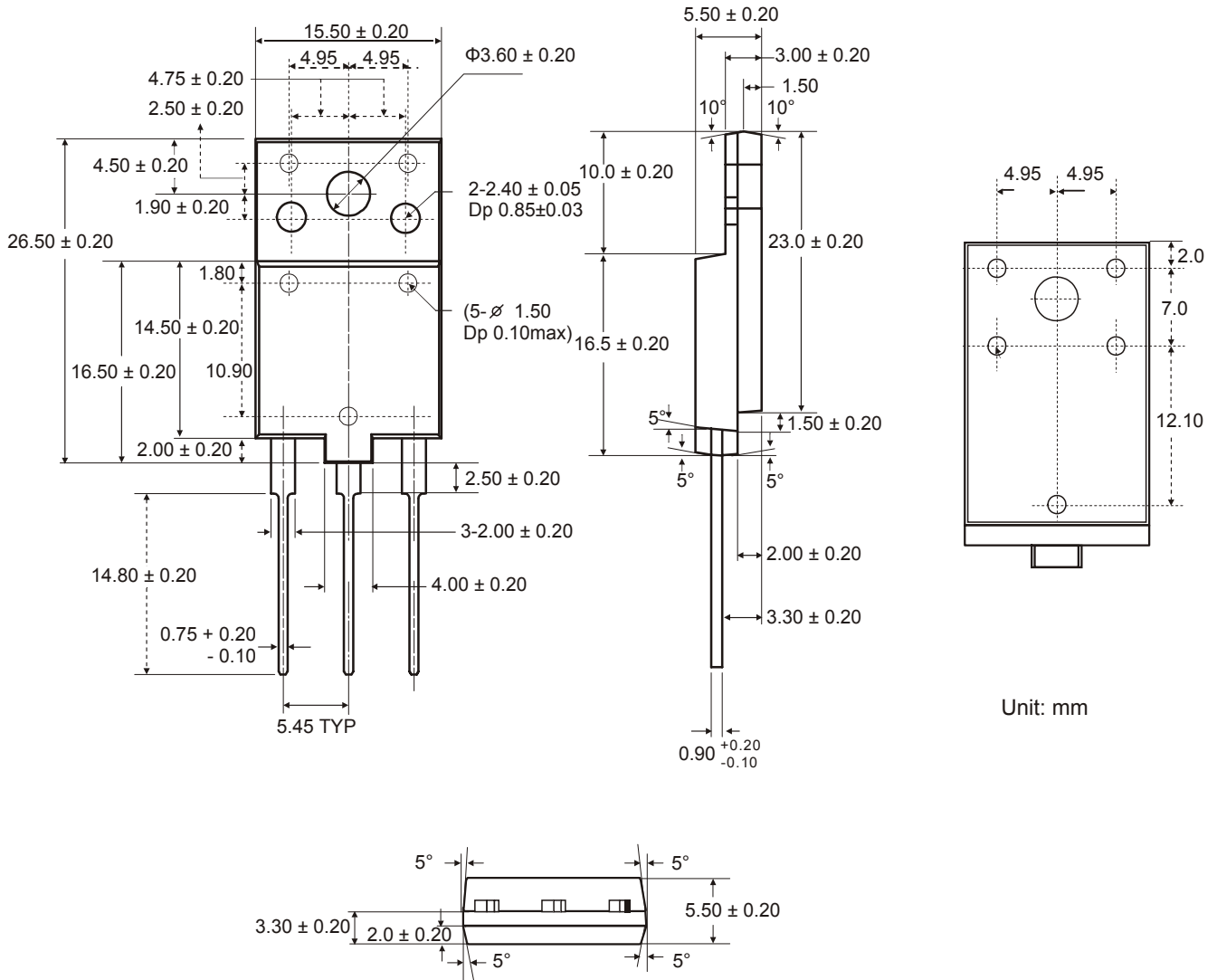
Package Outline Dimensions – TO220AB



Package Outline Dimensions – TO220FPAB



Package Outline Dimensions – TO-3PF



Ordering Number

| | | | | | | | |
|-----------------------|-------------------------------|-------------------------|---------------------|--------------------------|---------------------------|--|---------------------------------------|
| <u>GM</u> | <u>R</u> | <u>10</u> | <u>H</u> | <u>200</u> | <u>C</u> | <u>TB3</u> | <u>I</u> |
| APM Gamma Micro | Circuit Type: Rectifier | Rated Current 10A | Low V_F Family | Rated Voltage 200V | Dual Cathode Common | Package TB3: TO220AB TBF3: TO220FPAB TPF3: TO-3PF | Shipping T: Tube R: Tape & Reel |