

# SMD Zener Diode



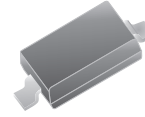
SMD Diodes Specialist

## CZRV5221B-G Thru CZRV5267B-G

Voltage: 2.4 to 75 Volts

Power: 200 mWatts

RoHS Device



### Features

For surface mounted applications.

200mW Power Dissipation.

Ideally suited for automated assembly processes.

Pb free product.

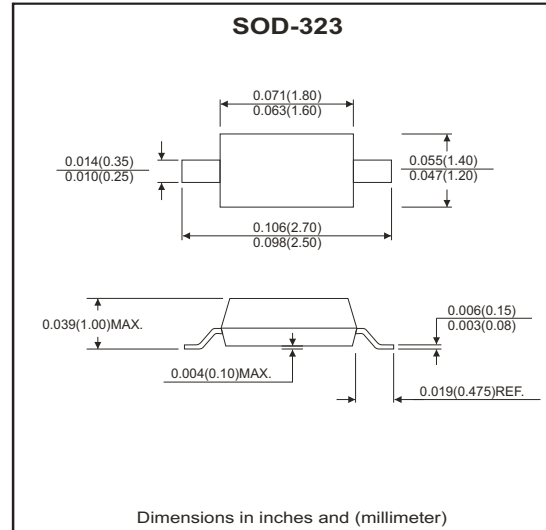
### Mechanical data

Case: SOD-323, Molded plastic.

Terminals: Solder Plated, solderable per MIL-STD-750, method 2026.

Polarity: Cathode band.

Weight: 0.008 gram (approx.).



### Maximum Rating AND Electrical Characteristics

Parameter	Symbol	Value	Unit
Maximum Power Dissipation, $T_A = 25^\circ\text{C}$	$P_D$	200	mW
Operating Junction and Storage Temperature Range	$T_J$	-55 to +150	$^\circ\text{C}$

## Electrical Characteristics(Ta = 25°C)

Part Number	Zener Voltage			Operating resistance		Rising operating resistance		Reverse current		Marking Code
	Vz(V)@IzT			ZzT(Ohm)		Zzk(Ohm)		IR(uA)		
	Min	Nom	Max	Max	IzT(mA)	Max	Izk(mA)	Max	VR(V)	
CZRV5221B-G	2.28	2.4	2.52	30	20	1200	0.25	100	1	C1
CZRV5222B-G	2.38	2.5	2.63	30	20	1250	0.25	100	1	C2
CZRV5223B-G	2.57	2.7	2.84	30	20	1300	0.25	75	1	C3
CZRV5225B-G	2.85	3	3.15	30	20	1600	0.25	50	1	C5
CZRV5226B-G	3.14	3.3	3.47	28	20	1600	0.25	25	1	D1
CZRV5227B-G	3.42	3.6	3.78	24	20	1700	0.25	15	1	D2
CZRV5228B-G	3.71	3.9	4.1	23	20	1900	0.25	10	1	D3
CZRV5229B-G	4.09	4.3	4.52	22	20	2000	0.25	5	1	D4
CZRV5230B-G	4.47	4.7	4.94	19	20	1900	0.25	5	2	D5
CZRV5231B-G	4.85	5.1	5.36	17	20	1600	0.25	5	2	E1
CZRV5232B-G	5.32	5.6	5.88	11	20	1600	0.25	5	3	E2
CZRV5234B-G	5.89	6.2	6.51	7	20	1000	0.25	5	4	E4
CZRV5235B-G	6.46	6.8	7.14	5	20	750	0.25	3	5	E5
CZRV5236B-G	7.13	7.5	7.88	6	20	500	0.25	3	6	F1
CZRV5237B-G	7.79	8.2	8.61	8	20	500	0.25	3	6	F2
CZRV5239B-G	8.65	9.1	9.56	10	20	600	0.25	3	6.5	F4
CZRV5240B-G	9.5	10	10.5	17	20	600	0.25	3	8	F5
CZRV5241B-G	10.45	11	11.55	22	20	600	0.25	3	8.4	H1
CZRV5242B-G	11.4	12	12.6	30	20	600	0.25	2	9.1	H2
CZRV5243B-G	12.35	13	13.65	13	9.5	600	0.25	1	9.9	H3
CZRV5244B-G	13.3	14	14.7	15	9.0	600	0.25	0.5	10.5	H4
CZRV5245B-G	14.25	15	15.75	16	8.5	600	0.25	0.5	11	H5
CZRV5246B-G	15.2	16	16.8	17	7.8	600	0.25	0.1	12	J1
CZRV5247B-G	16.15	17	17.85	19	7.5	600	0.25	0.1	13	J2
CZRV5248B-G	17.1	18	18.9	21	7	600	0.25	0.1	14	J3
CZRV5250B-G	19	20	21	25	6.2	600	0.25	0.1	15	J5
CZRV5251B-G	20.9	22	23.1	29	5.6	600	0.25	0.1	17	K1
CZRV5252B-G	22.8	24	25.2	33	5.2	600	0.25	0.1	18	K2
CZRV5254B-G	25.65	27	28.35	41	5	600	0.25	0.1	21	K4
CZRV5255B-G	26.6	28	29.4	44	4.5	600	0.25	0.1	21	K5
CZRV5256B-G	28.5	30	31.5	49	4.2	600	0.25	0.1	23	M1
CZRV5257B-G	31.35	33	34.65	58	3.8	700	0.25	0.1	25	M2
CZRV5258B-G	34.2	36	37.8	70	3.4	700	0.25	0.1	27	M3
CZRV5259B-G	37.05	39	40.95	80	3.2	800	0.25	0.1	30	M4
CZRV5260B-G	40.85	43	45.15	93	3	900	0.25	0.1	33	M5
CZRV5261B-G	44.65	47	49.35	105	2.7	1000	0.25	0.1	36	N1
CZRV5262B-G	48.45	51	53.55	125	2.5	1100	0.25	0.1	39	N2
CZRV5263B-G	53.2	56	58.8	150	2.2	1300	0.25	0.1	43	N3
CZRV5264B-G	57	60	63	170	2.1	1400	0.25	0.1	46	N4
CZRV5265B-G	58.9	62	65.1	185	2	1500	0.25	0.1	47	N5
CZRV5266B-G	64.6	68	71.4	230	1.8	1600	0.25	0.1	52	P1
CZRV5267B-G	71.25	75	78.75	270	1.7	1400	0.25	0.1	56	P2

## RATING AND CHARACTERISTIC CURVES (CZRV5221B-G Thru CZRV5267B-G)

Fig.1 Typical forward voltage

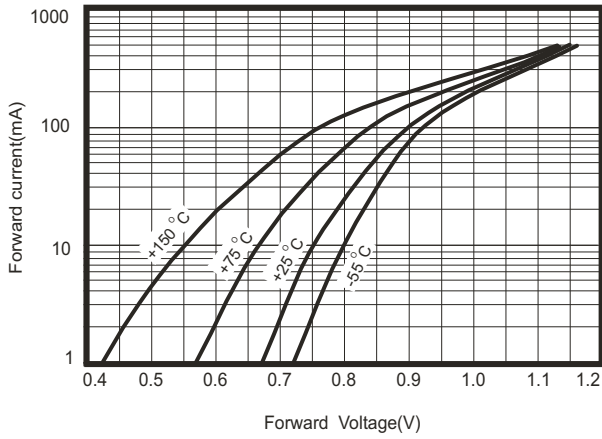


Fig.2 Typical leakage current

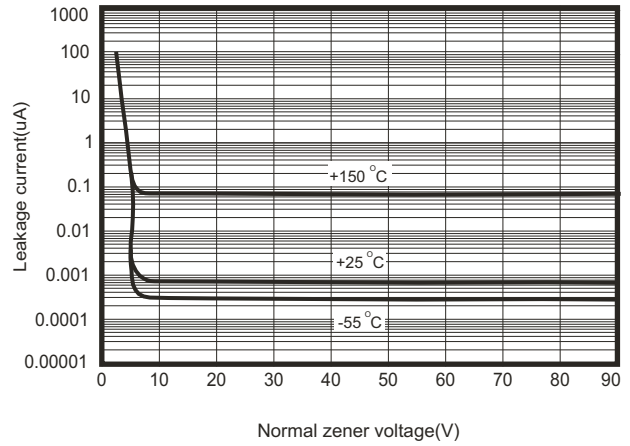


Fig.3 Temperature coefficients

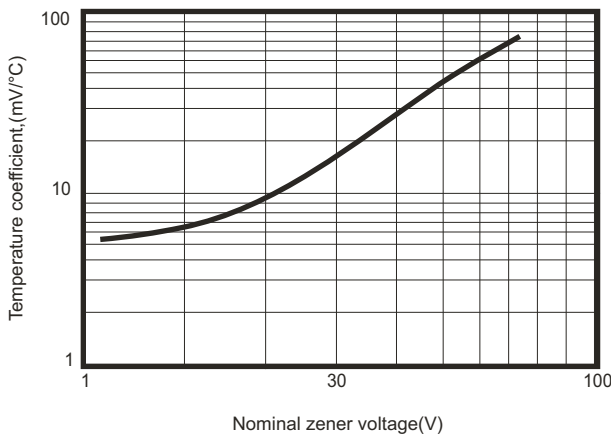
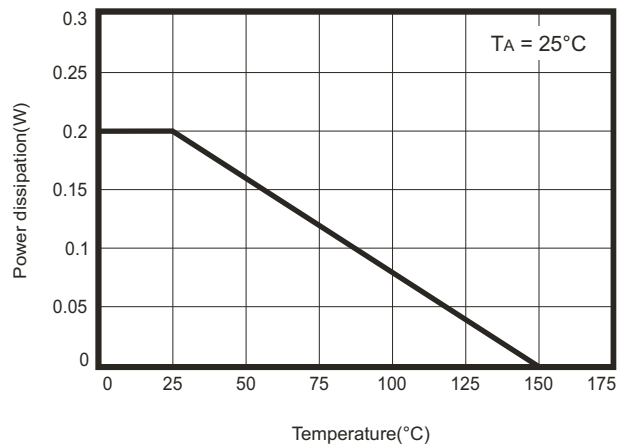
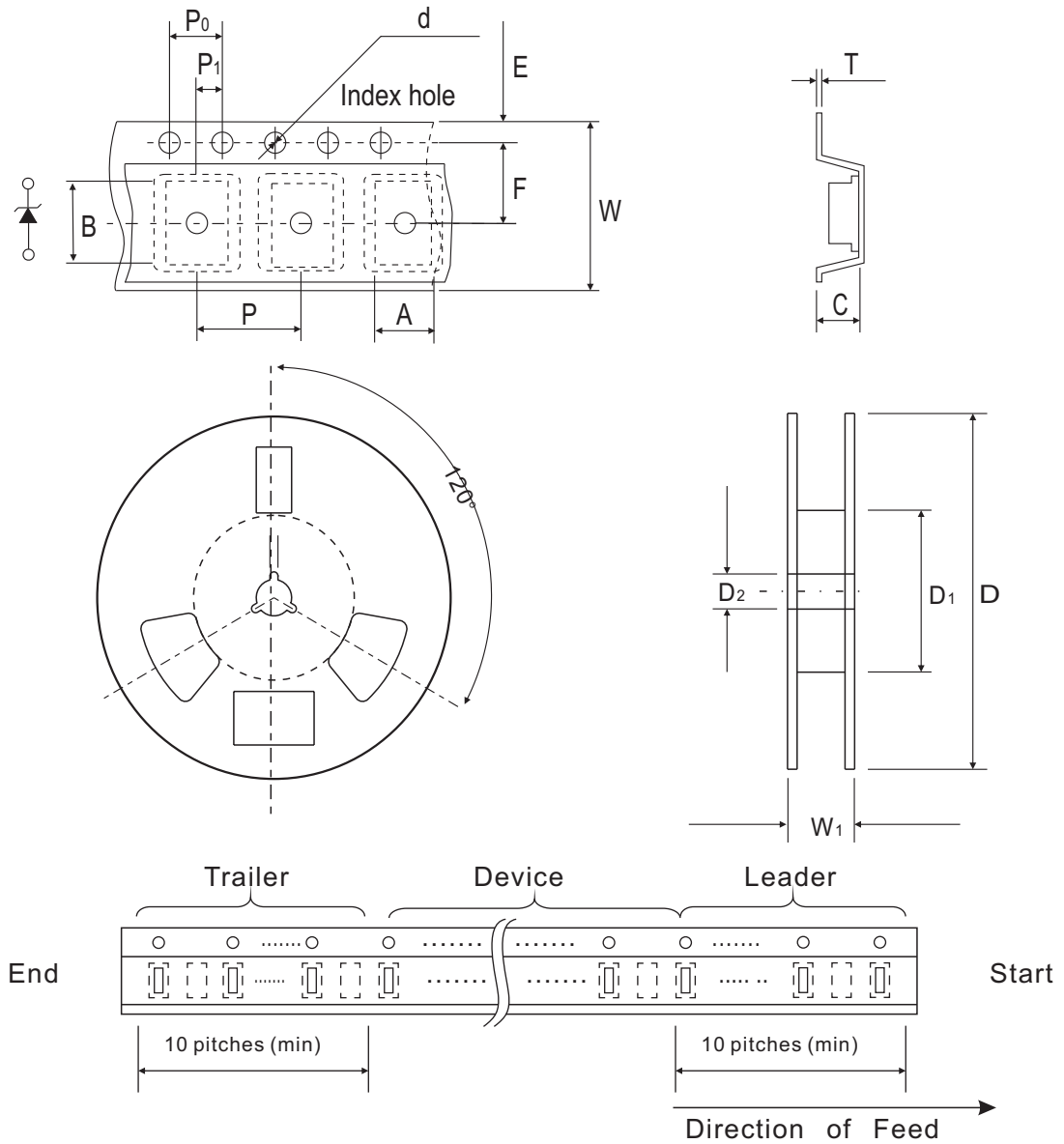


Fig.4 Steady state power derating



## Reel Taping Specification

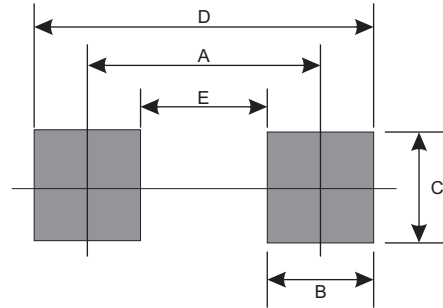


SOD-323	SYMBOL	A	B	C	d	D	D1	D2
	(mm)	1.52 ± 0.10	2.90 ± 0.10	1.35 ± 0.10	1.50 ± 0.10	178 ± 1	54.4 MIN.	13.0 ± 0.20
	(inch)	0.060 ± 0.004	0.114 ± 0.004	0.053 ± 0.004	0.059 ± 0.004	7.008 ± 0.040	2.142 MIN.	0.512 ± 0.008

SOD-323	SYMBOL	E	F	P	P0	P1	W	W1
	(mm)	1.75 ± 0.10	3.50 ± 0.05	4.00 ± 0.10	4.00 ± 0.10	2.00 ± 0.05	8.00 ± 0.30	9.5 MAX.
	(inch)	0.069 ± 0.004	0.138 ± 0.002	0.157 ± 0.004	0.157 ± 0.004	0.079 ± 0.002	0.315 ± 0.012	0.374 MAX.

## Suggested PAD Layout

SIZE	SOD-323	
	(mm)	(inch)
A	2.33	0.092
B	0.70	0.028
C	0.70	0.028
D	3.03	0.119
E	1.63	0.064



## Standard Package

Case Type	Qty per Reel	Reel Size
	(Pcs)	(inch)
SOD-323	3000	7