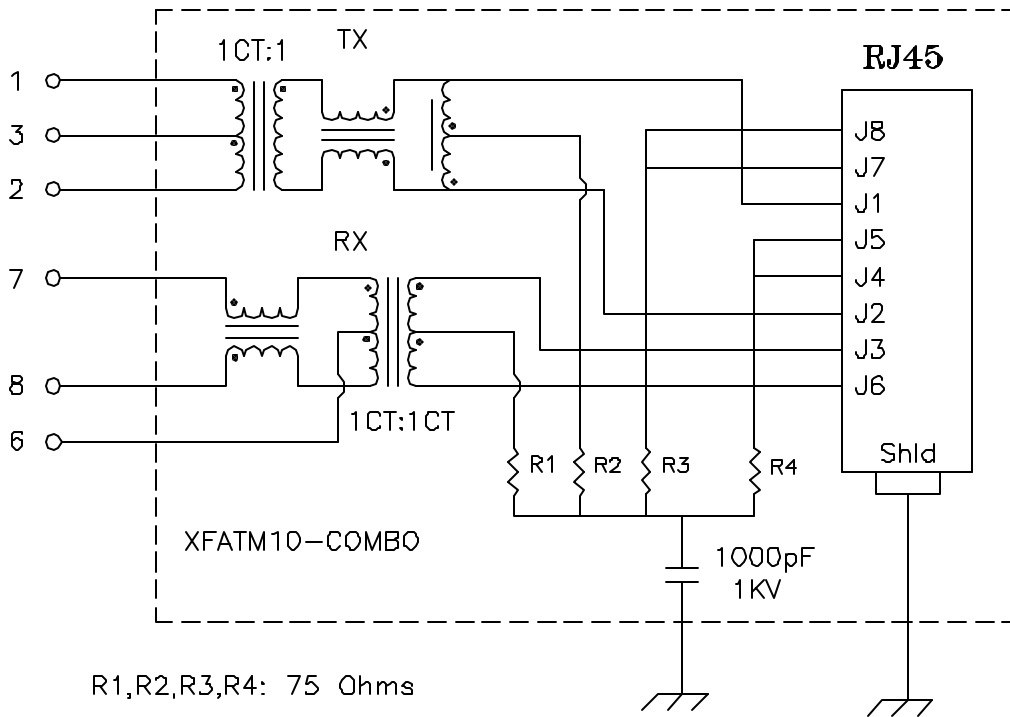


**Schematic:**



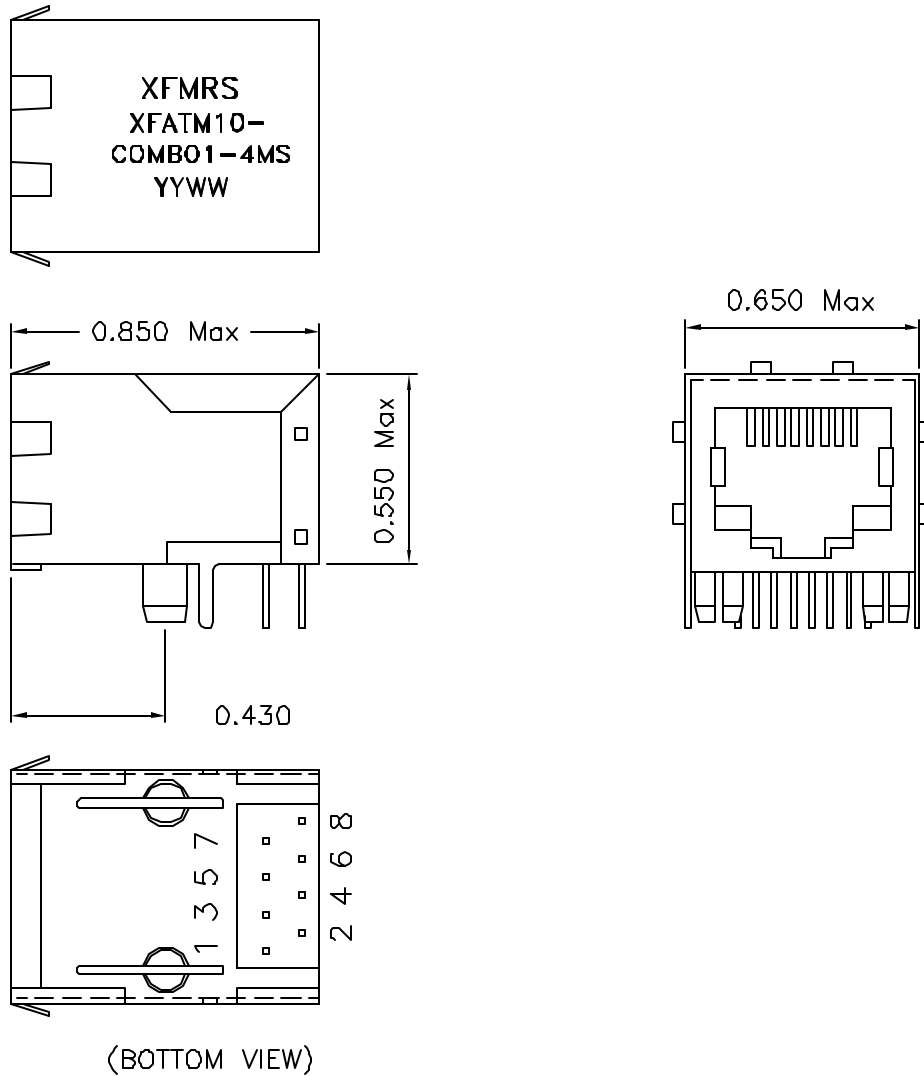
**Electrical Specifications: @25°C**

- Isolation Voltage: 1500 Vrms
- Isolation Voltage: 500 Vrms 1+2+3 to 6+7+8
- URNS RATIO: TX 1CT:1 ±5% RX 1CT:1CT ±5%
- UTP SIDE OCL: 350uH Minimum @100KHz 100mV 8mADC
- Insertion Loss {300KHz-100MHz}: -1.0dB Typical
- Return Loss: 30MHz -16dB Typical
  - 60MHz -12dB Typical
  - 80MHz -10dB Typical
- CROSSTALK: 32MHz -40dB Minimum
  - 62MHz -35dB Minimum
  - 100MHz -35dB Minimum

DOC. REV A/1

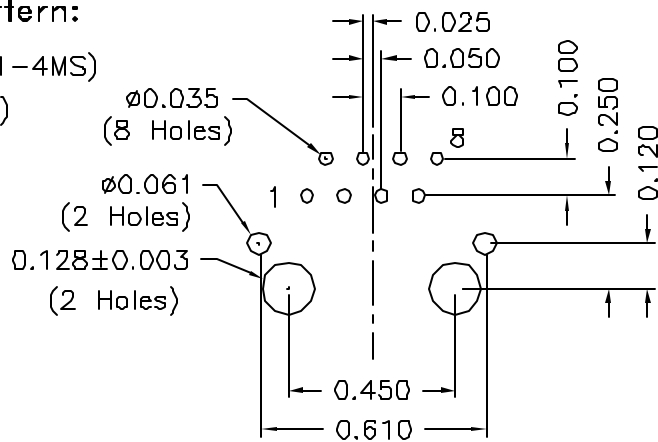
<b>XFMRs Inc.</b>	Title: <b>SINGLE PORT COMBO</b>		
	UNLESS OTHERWISE SPECIFIED	P/N: XFATM10-COMBO1-4MS	REV. A
	TOLERANCES: .xxx ±0.010	DWN.	廖玉坤 Oct-29-01
	Dimensions in Inch	CHK.	李清儿 Oct-29-01
	SHEET 1 OF 2	APP.	Isaiah M Oct-29-01

**Mechanical Dimensions:**



**Mounting Pattern:**

(FOR COMBO1-4MS)  
(COMP SIDE)



<b>XFMR5 Inc.</b>		Title: Mechanical Dimensions For COMBO1-4MS Series	
UNLESS OTHERWISE SPECIFIED TOLERANCES: .xxx ±0.010 Dimensions in Inch	XFATM10-COMBO1-4MS		REV. A
	DWN.	廖玉坤	Oct-29-01
	CHK.	李清儿	Oct-29-01
SHEET 2 OF 2	APP.	Isaiah M	Oct-29-01