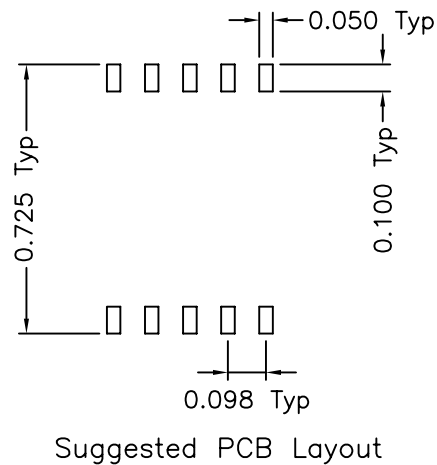
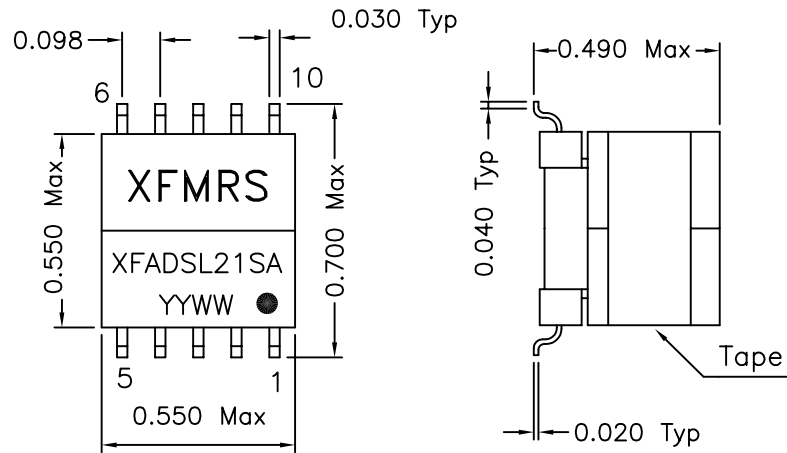
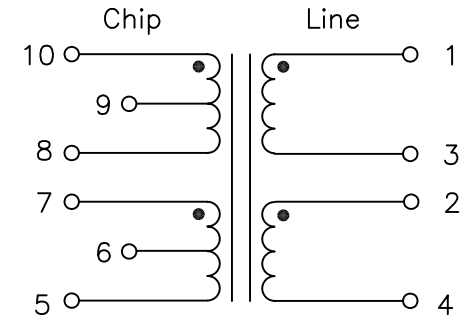


1. Mechanical Dimensions:



2. Schematic:



3. Electrical Specifications:

OCL: (Pins 1-4) 512uH \pm 5% 300KHz, 0.1V Tie 2+3

Leakage L: (Pins 1-4) 10.0uH Max 300KHz, 0.1V

Short Pins 10-9-8-7-6-5, tie 2+3

Turns Ratio: (1-4):(10-5) 1CS:1CS \pm 2% Tie 2-3&7-8

DC Res: (Pins 1-3) 0.500 Ohms Max

DC Res.: (Pins 2-4) 0.500 Ohms Max

DC Res: (Pins 10-8) 0.500 Ohms Max

DC Res.: (Pins 7-5) 0.500 Ohms Max

HYPOT: 1500VAC Chip-Line

HYPOT: 1500VAC Wdgs-Core

Operating Temp.: -40 to +85°C

Specifications are subject to change without prior notice.

DOC. REV: A/1

XFMRS Inc	Title: ADSL TRANSFORMER	
	UNLESS OTHERWISE SPECIFIED TOLERANCES: .xxx \pm 0.010 Dimensions in INCH	P/N: XFADSL21SA REV. A
	DWN.	李清儿 May-02-00
	CHK.	孙小松 May-02-00
SHEET 1 OF 1	APP.	Joe Huff May-02-00

THIS DOCUMENT IS STRICTLY NOT ALLOWED TO BE DUPLICATED WITHOUT AUTHORIZATION