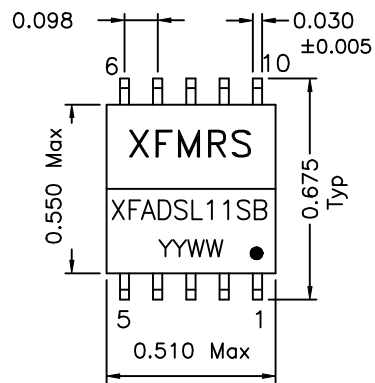
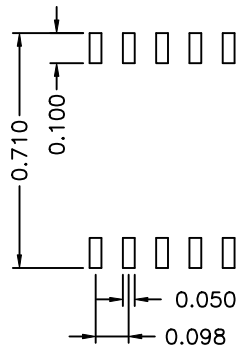
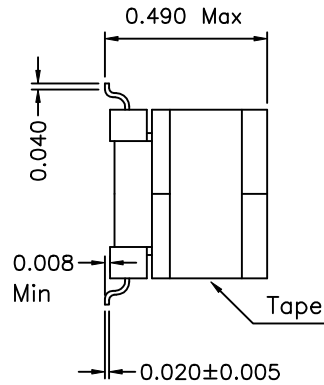


1. Dimensions:



CO-PLANARITY: 0.004 Max



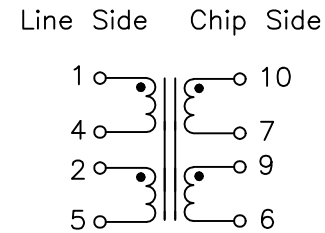
Suggested PCB Layout

Note:

1. Solderability: Leads shall meet MIL-STD-202, Method 208D for solderability.
2. Flammability: UL94V-0,
3. ASTM oxygen index: > 28% ,
4. Temperature rating: 155°C. UL file E151556,
5. Operating Temperature Range: -40°C to +85°C
6. UL1950 approved for the requirements of Supplementary Insulation with 300 working volts. UL file #E165866

DOC. REV A/5

2.Schematic:



3.Electrical Specifications: @25°C

Isolation: 1500Vrms

PIN10-6 OCL: 470uH±5% @10KHz 100mV

(CONNECT PIN7-9)

TURNS RATIO: (10-6):(1-5)=1CS:1CS ±2%

DCR: 1-4,2-5 0.69 Ohms Max

DCR: 10-7,9-6 0.64 Ohms Max

DC Current: 160mA Max

Leakage L: 10-6 10uH Max @ 100KHz, 0.1V (Short 1-5)

Cw/w: 1-10 30pF Max @10KHz, 0.1V (Tie 4-2 & 7-9)

Long. Bal.: 20KHz-1.1MHz 50dB Min

Return Loss: 30KHz - 1.1MHz 10dB Min

Insertion Loss: 500KHz ±0.5dB

THD: -70dB Min @50KHz

XFMRS Inc	Title: ADSL TRANSFORMER	
	UNLESS OTHERWISE SPECIFIED	P/N: XFADSL11SB REV. A
	TOLERANCES: .xxx ±0.010	DWN. 李清儿 Jul-27-01
	Dimensions in INCH	CHK. 孙小松 Jul-27-01
SHEET 1 OF 1	APP. Joe Huff	Jul-27-01