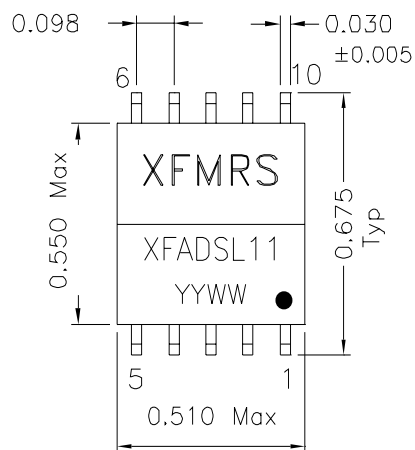
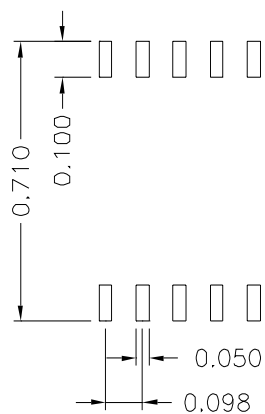


1. Dimensions:

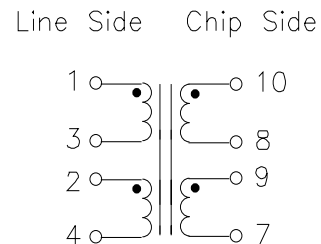


CO-PLANARITY: 0.004 Max



Suggested PCB Layout

2.Schematic:



3.Electrical Specifications: @25°C

Isolation: 1500Vrms

PIN10-7 OCL: 470uH±5% @10KHz 100mV

(CONNECT PIN8-9)

URNS RATIO: (10-7):(1-4)=1CS:1CS ±2%

DCR: 1-3,2-4 0.64 Ohms ±15%

DCR: 9-7,1-8 0.69 Ohms ±15%

DC Current: 160mA Max

Leakage L: 10-7 10uH Max @ 100KHz, 0.1V (Short 1-4)

Cw/w: 1-10 30pF Max @100KHz, 0.1V (Tie 3-2 & 8-9)

Long. Bal.: 20KHz-1.1MHz 40dB Min

DOC. REV A/1

XFMRS Inc	Title: ADSL TRANSFORMER		
	UNLESS OTHERWISE SPECIFIED TOLERANCES: .xxx ±0.010	P/N: XFADSL11	REV. A
Dimensions in INCH	DWN.	李清儿	Jun-14-98
	CHK.	孙小松	Jun-14-98
SHEET 1 OF 1	APP.	Joe Huff	Jun-15-98