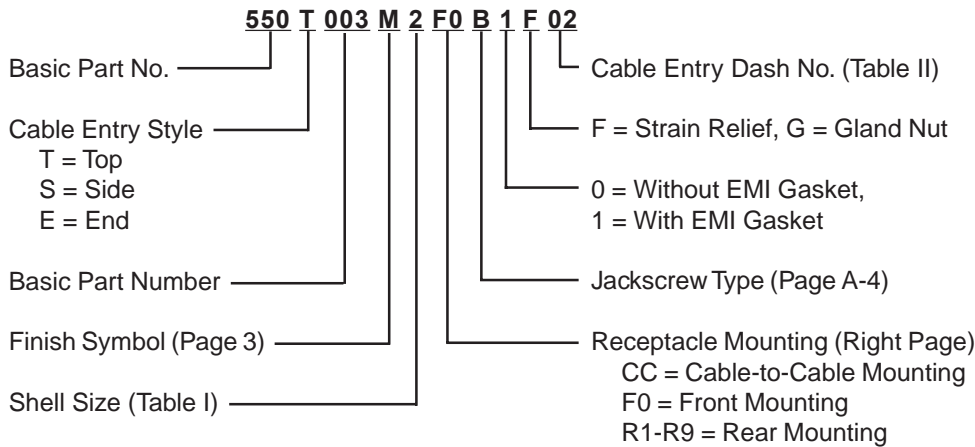




550-003
EMI/RFI D-Subminiature
Strain-Relief Split Backshell
for Individual and Overall Shielding



1. Metric dimensions (mm) are indicated in parentheses.
2. **DO NOT USE CONNECTORS WITH FLOAT MOUNTINGS.**
3. Individual and overall shield. Thickness range: .031 (.8) to .188 (4.8).

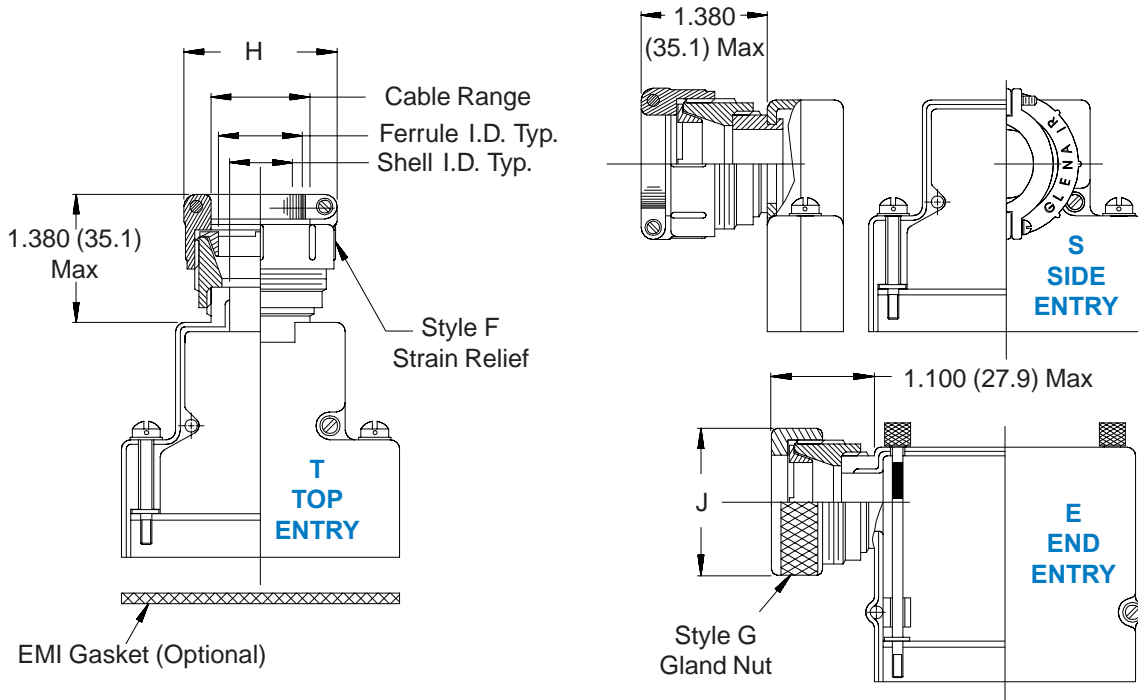


TABLE I: SHELL SIZE & ENTRY STYLE

Com'l Shell Size	Shell Size Ref	Entry Style T (Ref) Shell I.D.	Entry Style E Shell I.D.
1	E/09	.250 (6.4)	.375 (9.5)
2	A/15	.375 (9.5)	.375 (9.5)
3	B/25	.475 (12.1)	.475 (12.1)
4	C/37	.475 (12.1)	.475 (12.1)
5	D/50	.575 (14.6)	.575 (14.6)
6*	F/104	1.000 (25.4)	n/a

* Shell Size 6 Available in Top Entry Only.

TABLE II: BACKSHELL DIMENSIONS & CABLE ENTRY

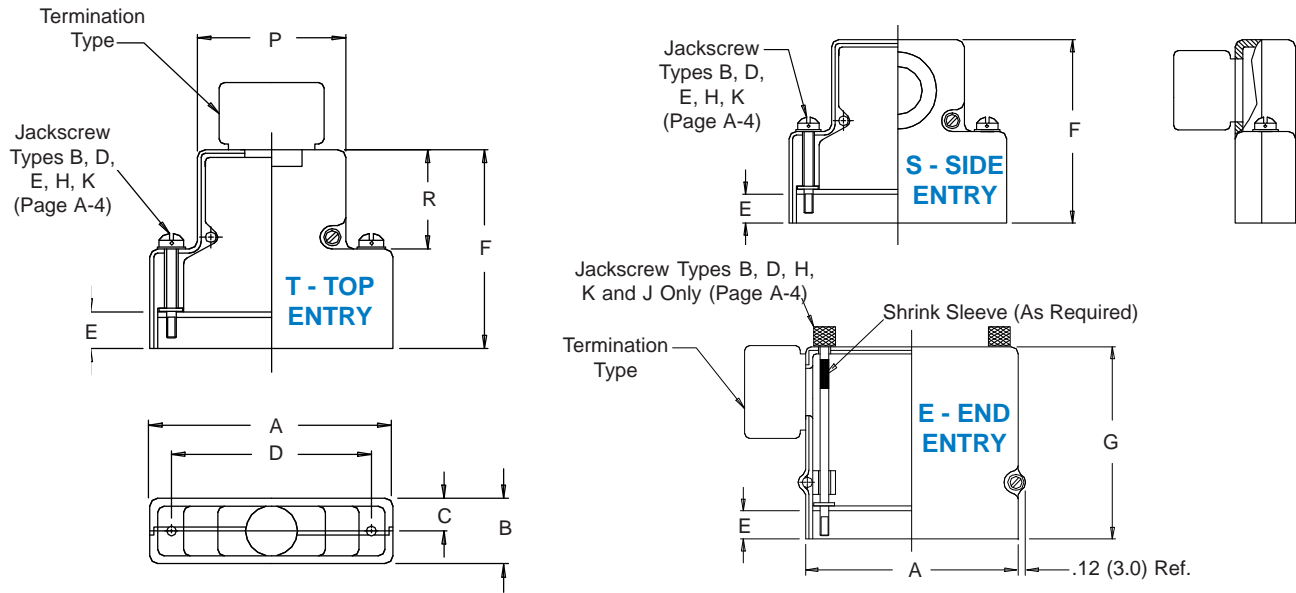
Dash No.	H Max	J Max	Cable Range		Ferrule I.D.
			Min	Max	
02	.968 (24.6)	.781 (19.8)	.125 (3.2)	.250 (6.4)	.125 (3.2)
03	1.046 (26.6)	.906 (23.0)	.250 (6.4)	.375 (9.5)	.250 (6.4)
04	1.156 (29.4)	1.031 (26.2)	.312 (7.9)	.500 (12.7)	.375 (9.5)
05	1.218 (30.9)	1.156 (29.4)	.437 (11.1)	.625 (15.9)	.500 (12.7)
06	1.343 (34.1)	1.281 (32.5)	.562 (14.3)	.750 (19.1)	.625 (15.9)
07*	1.468 (37.3)	1.406 (35.7)	.687 (17.4)	.875 (22.2)	.750 (19.1)
08*	1.593 (40.5)	1.531 (38.9)	.812 (20.6)	1.000 (25.4)	.875 (22.2)

* Available in Shell Size 6 Only

D-Subminiature Split Backshells Standard Dimensions



MIL-C-24308
D-Subminiature



COMMON CONNECTOR/SHELL INTERFACE & BACKSHELL DIMENSIONS

Shell Size	Com'l Shell Size Ref	A Max	B Max	C Ref.	D ±.005 (.1)	P	R Ref
1	E/09	1.393 (35.4)	.624 (15.8)	.312 (7.9)	.984 (25.0)	.730 (18.5)	.719 (18.3)
2	A/15	1.706 (43.3)	.624 (15.8)	.312 (7.9)	1.312 (33.3)	1.050 (26.7)	.719 (18.3)
3	B/25	2.265 (57.5)	.624 (15.8)	.312 (7.9)	1.852 (47.0)	1.594 (40.5)	.938 (23.8)
4	C/37	2.900 (73.7)	.624 (15.8)	.312 (7.9)	2.500 (63.5)	2.240 (56.9)	.938 (23.8)
5	D/50	2.800 (71.1)	.750 (19.1)	.375 (9.5)	2.406 (61.1)	2.140 (54.4)	.938 (23.8)
6	F/104	2.900 (73.7)	.844 (21.4)	.422 (10.7)	2.500 (63.5)	2.240 (56.9)	1.094 (27.8)

CABLE MOUNTING AND BACKSHELL DIMENSIONS

Dash No.	Panel Thickness	E	F ± .031 (0.79)			G ± .031 (0.79)	
			Sizes 1 & 2	Sizes 3 - 5	Size 6	Sizes 1 & 2	Sizes 3 - 5
CC	n/a	.174 (4.4)	1.451 (36.9)	1.671 (42.4)	1.820 (46.2)	1.583 (40.2)	1.831 (46.5)
F0	n/a	.343 (8.7)	1.625 (41.3)	1.844 (46.8)	2.000 (50.8)	1.750 (44.5)	2.000 (50.8)
R1	.031 (.8)	.247 (6.3)	1.525 (38.7)	1.745 (44.3)	1.890 (48.0)	1.656 (42.1)	1.904 (48.4)
R2	.047 (1.2)	.231 (5.9)	1.509 (38.3)	1.728 (43.9)	1.875 (47.6)	1.640 (41.7)	1.888 (48.0)
R3	.062 (1.6)	.216 (5.5)	1.500 (38.1)	1.720 (43.7)	1.860 (47.2)	1.625 (41.3)	1.873 (47.6)
R4	.093 (2.4)	.185 (4.7)	1.470 (37.3)	1.690 (42.9)	1.829 (46.5)	1.594 (40.5)	1.842 (46.8)
R5	.104 (2.6)	.174 (4.4)	1.451 (36.9)	1.671 (42.4)	1.820 (46.2)	1.583 (40.2)	1.831 (46.5)
R6	.125 (3.2)	.153 (3.9)	1.430 (36.3)	1.650 (41.9)	1.798 (45.7)	1.563 (39.7)	1.811 (46.0)
R7	.156 (4.0)	.125 (3.2)	1.400 (35.6)	1.620 (41.1)	1.767 (44.9)	1.531 (38.9)	1.781 (45.2)
R8	.135 (3.4)	.140 (3.6)	1.417 (36.0)	1.637 (41.6)	1.805 (45.8)	1.550 (39.4)	1.798 (45.7)
R9	.188 (4.8)	.094 (2.4)	1.368 (34.7)	1.590 (40.4)	1.740 (44.2)	1.500 (38.1)	1.750 (44.5)

1. Metric dimensions (mm) are indicated in parentheses.