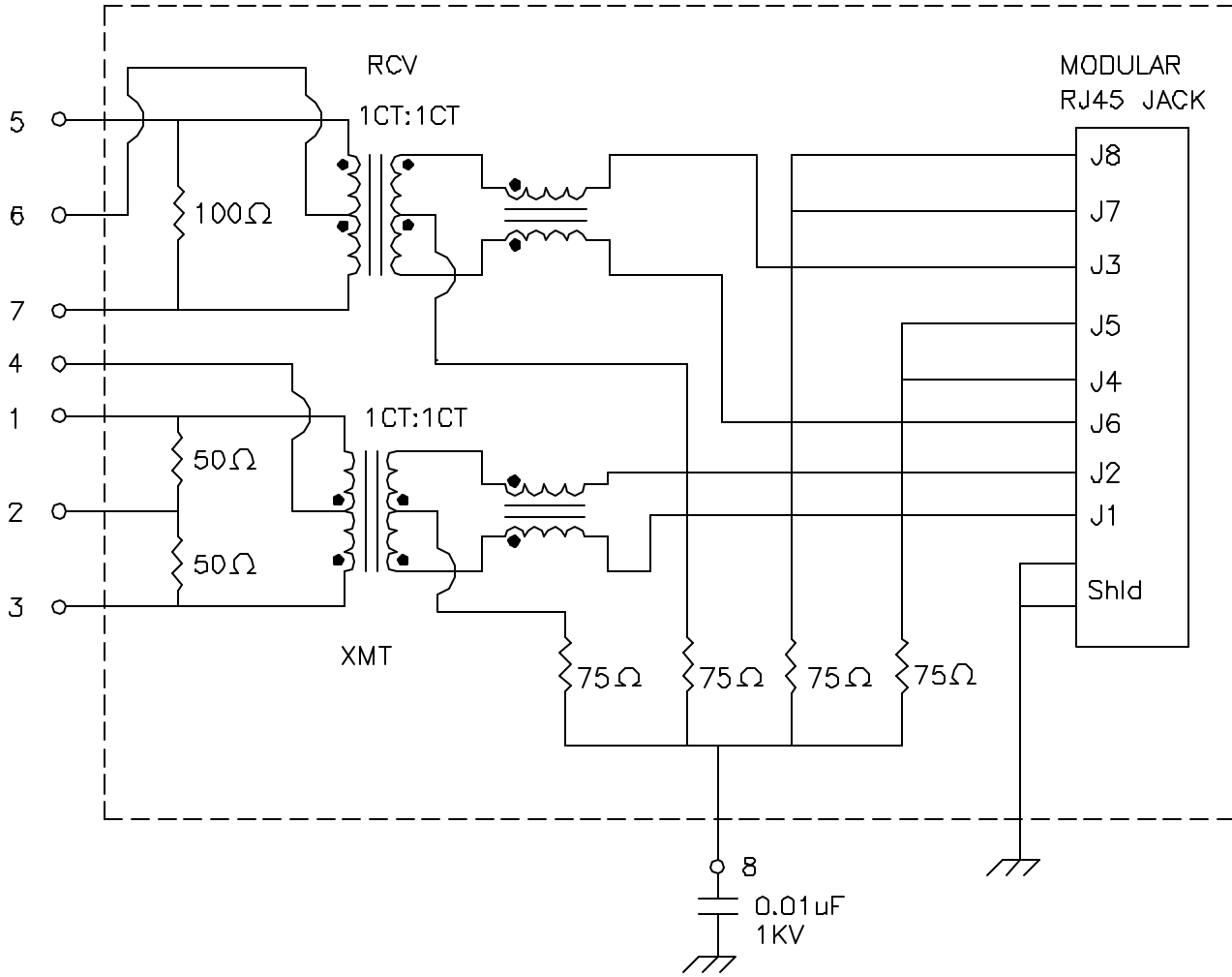


Schematic:



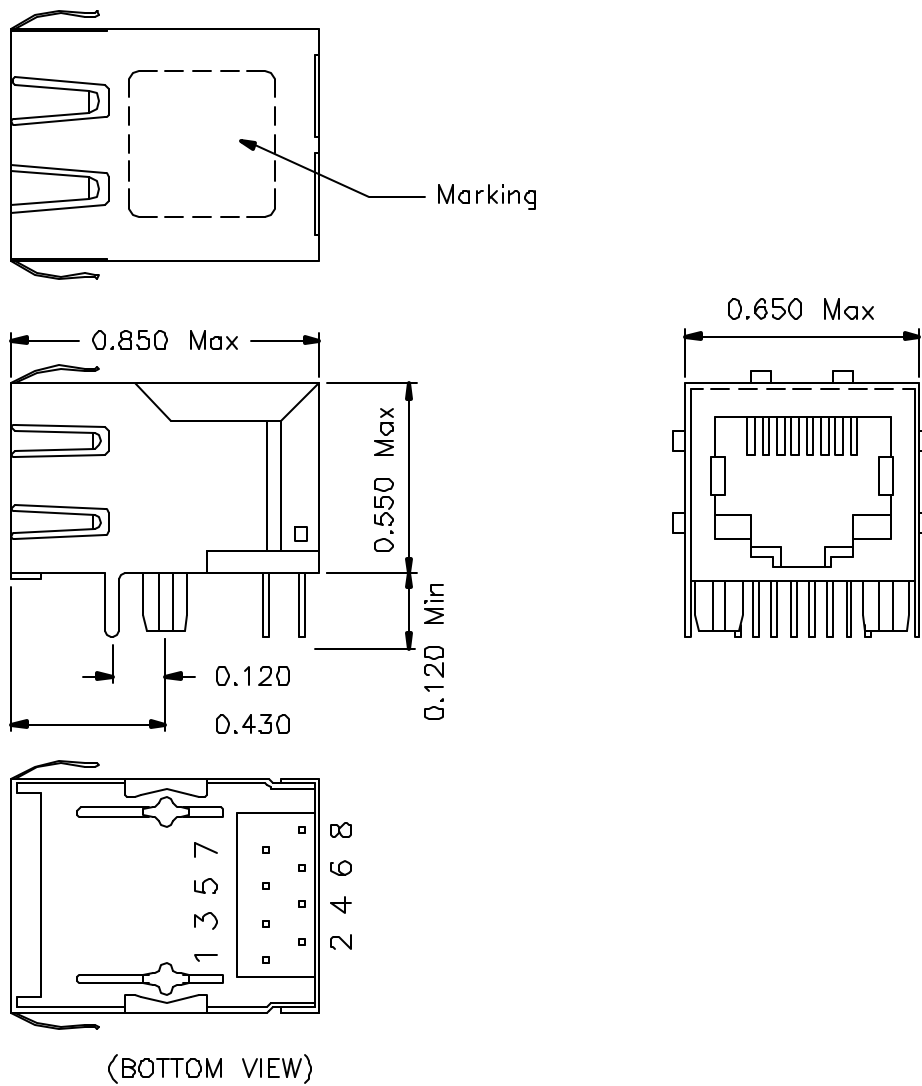
Electrical Specifications: @25°C

- HIPOT: 1500 Vrms (INPUT/OUTPUT)
- HIPOT: 500 Vrms (P5+6+7 to P1+2+3+4))
- Turns Ratio: 1CT : 1CT ±3% (RCV)
- Turns Ratio: 1CT : 1CT ±3% (XMT)
- CABLE SIDE OCL: 350uH Minimum @100KHz 100mV 8mADC
- Cw/w: 27pF Typical @100KHz 100mV

DOC. REV C/1

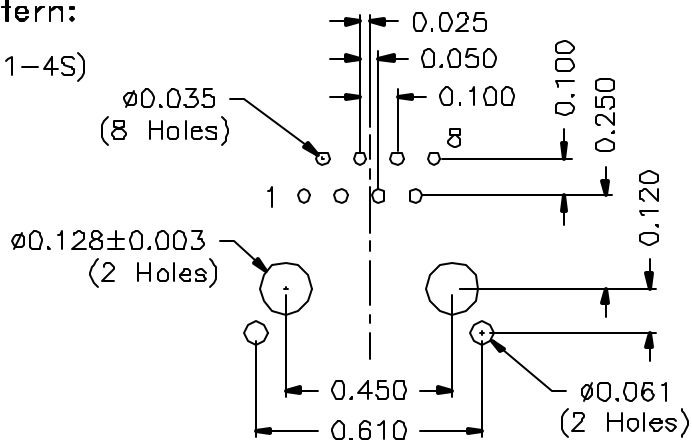
| | | | |
|--|---------------------------------|----------|-----------|
| XFMRs Inc. <small>UNLESS OTHERWISE SPECIFIED TOLERANCES: .xxx ±0.010 Dimensions in Inch</small> | Title: SINGLE PORT COMBO | | |
| | P/N: XF970D2-COMBO1-4S | | REV. C |
| | DWN. | 廖玉坤 | Apr-27-01 |
| | CHK. | 李清儿 | Apr-27-01 |
| SHEET 1 OF 2 | APP. | Isaiah M | Apr-27-01 |

Mechanical Dimensions:



Mounting Pattern:

(FOR COMBO1-4S)
(COMP SIDE)



DOC REV: C

| | | | |
|---------------------------------|--|----------|-----------|
| XFMRs Inc. | Title: Mechanical Dimensions For COMBO1-4S Series | | |
| UNLESS OTHERWISE SPECIFIED | P/N: XF970D2-COMBO1-4S | REV. C | |
| TOLERANCES: .xxx ± 0.010 | DWN. | 李小锋 | Apr-27-01 |
| Dimensions in Inch | CHK. | 廖玉坤 | Apr-27-01 |
| SHEET 2 OF 2 | APP. | Isaiah M | Apr-27-01 |