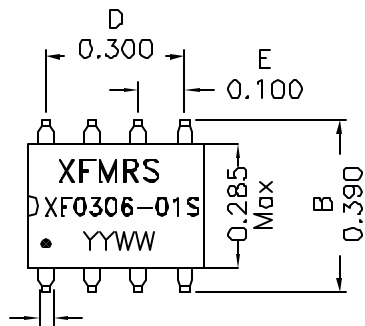
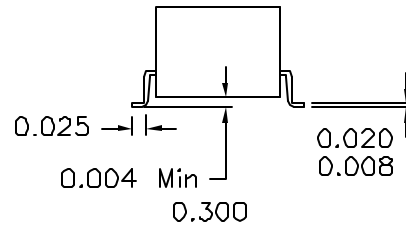
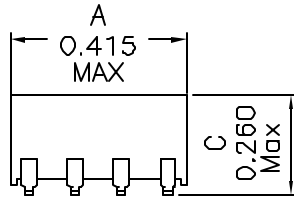
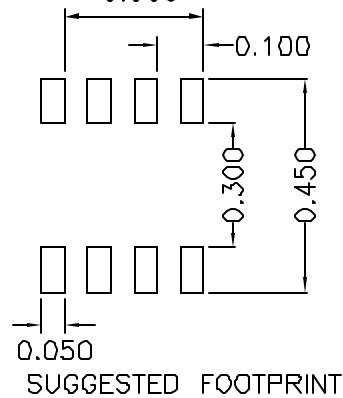


1. Mechanical Dimensions:



0.045±0.005



Isolation Voltage: 500 VAC (WINDING TO WINDING)

Turns Ratio: 1:1:1:1

OCL: 30uH Minimum @100KHz 100mV (EACH WINDING)

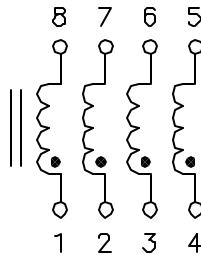
DC Resistance: 0.25 Ohms TYPICAL

PIN1-8 LL: 0.2uH Max @100KHz 100mV

OTHER WINDINGS SHORTED

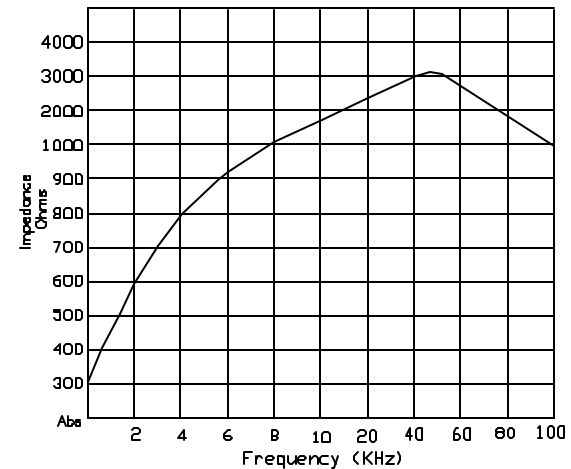
Cw/w: 20pF Maximum @100KHz 100mV (Winding TO Winding)

2. Schematic:



Notes:

1. Solderability: Leads shall meet MIL-STD-202G, Method 208H for solderability.
2. Flammability: UL94V-D
3. ASTM oxygen index: > 28%
4. Insulation System: Class F 155°C, UL file E151558
5. Operating Temperature Range: All listed parameters are to be within tolerance from -40°C to +85°C
6. Storage Temperature Range: -55°C to +125°C
7. Aqueous wash compatible
8. SMD Lead Coplanarity: ±0.004"(0.102mm)
9. Electrical and mechanical specifications 100% tested
10. RoHS Compliant Component



DOC. REV C/6

PROPRIETARY Document is the property of XFMRS Group & is not allowed to be duplicated without authorization.

XFMRS Inc. www.XFMRS.com		Title: COMMON MODE CHOKE	
UNLESS OTHERWISE SPECIFIED TOLERANCES: .xxx ±0.010 Dimensions in Inch		P/N: XF0306-01S	REV. C
SHEET 1 OF 2		DWN. Juan Moa	Aug-23-06
		CHK. YK Liao	Aug-23-06
		APP. MS	Aug-23-06