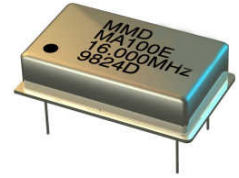


MVAH Series – 14 Pin DIP HCMOS VCXO



- Industry Standard Package
- +2.5VDC, +3.3VDC, or +5.0VDC Supply Voltage
- HCMOS Output
- RoHS Compliant Available



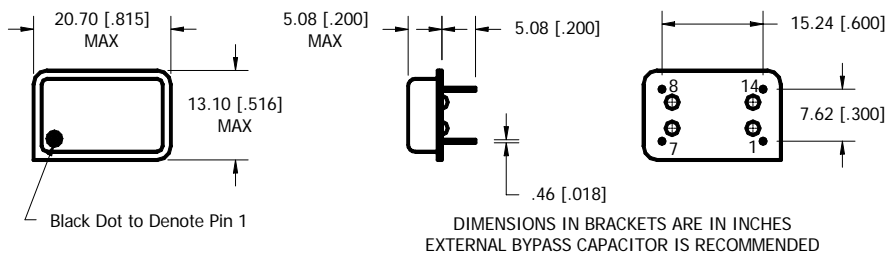
ELECTRICAL SPECIFICATIONS:

Supply Voltage (Vdd)	+2.5VDC ±10%	+3.3VDC ±10%	+5.0VDC ±10%
Frequency Range	1.000MHZ TO 220.000MHZ		
Frequency Stability (Inclusive of Temp., Load, Voltage and Aging)	(See Part Number Guide for Options)		
Operating Temp. Range	(See Part Number Guide for Options)		
Storage Temp. Range	-55°C to +125°C		
Supply Current	60mA max	60mA max	85mA max
Load	15pF	30pF	30pF
Output	HCMOS		
Logic "0"	10% Vdd max		
Logic "1"	90% Vdd min		
Symmetry (50% of waveform)	40%/60%		
Rise / Fall Time (10% to 90%)	10nSec max		
Start Time	10mSec max		
Control Voltage	1.25 VDC ±1.00 VDC	1.65 VDC ±1.50 VDC	2.50 VDC ±2.00 VDC
Linearity	(See Part Number Guide for Options)		
Pullability	(See Part Number Guide for Options)		

ENVIRONMENTAL/MECHANICAL SPECIFICATIONS:

Shock	MIL-STD-883, Meth 2002, Cond B
Solderability	MIL-STD-883, Meth 2003
Vibration	MIL-STD-883, Meth 2007, Cond A
Gross Leak Test	MIL-STD-883, Meth 1014, Cond C
Fine Leak Test	MIL-STD-883, Meth 1014, Cond A

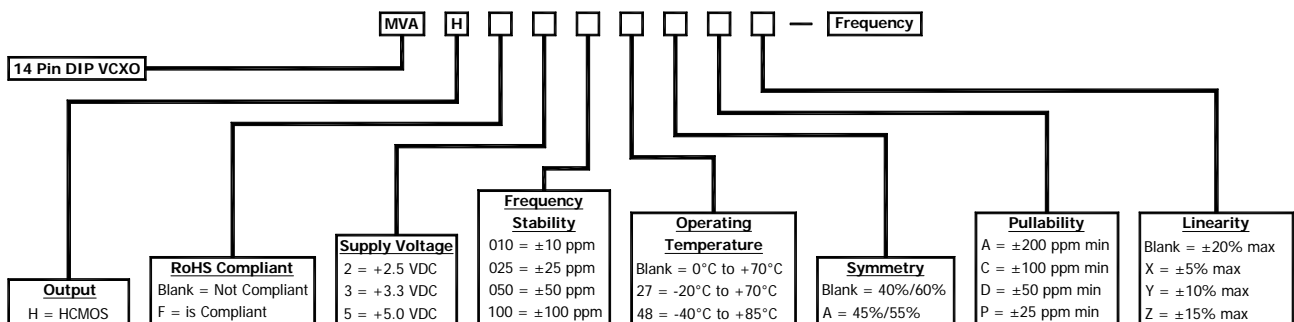
MECHANICAL DIMENSIONS:



PIN CONNECTIONS	
PIN 1	VOLTAGE CONTROL
PIN 7	GROUND
PIN 8	OUTPUT
PIN 14	SUPPLY VOLTAGE

DIMENSIONS IN BRACKETS ARE IN INCHES
EXTERNAL BYPASS CAPACITOR IS RECOMMENDED

PART NUMBERING GUIDE:



Please Consult with MMD Sales Department for any other Parameters or Options

MMD Components, 30400 Esperanza, Rancho Santa Margarita, CA, 92688
 Phone: (949) 709-5075, Fax: (949) 709-3536, www.mmdcomp.com
 Sales@mmdcomp.com