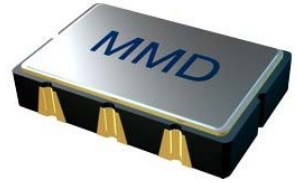


MIL and MIV Series – 5 x 7 Ceramic SMD Oscillator



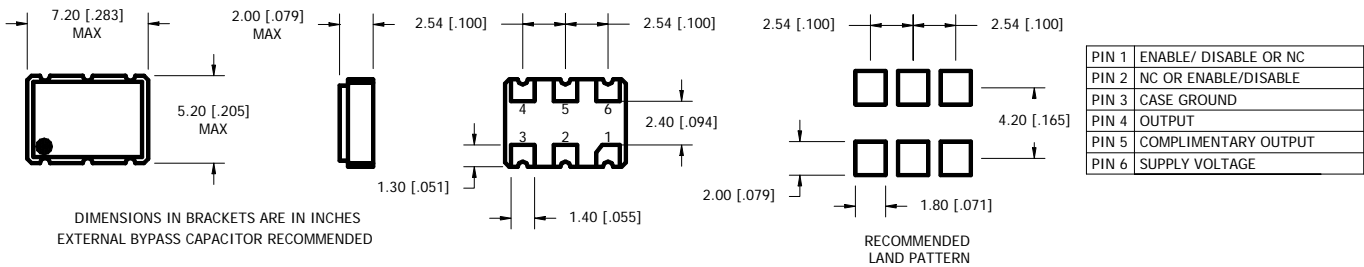
- 5mm x 7mm 6 Pads Ceramic Package
- RoHS Compliant
- Negative Enable Available
- Wide Frequency Range
- LVPECL or LVDS Output



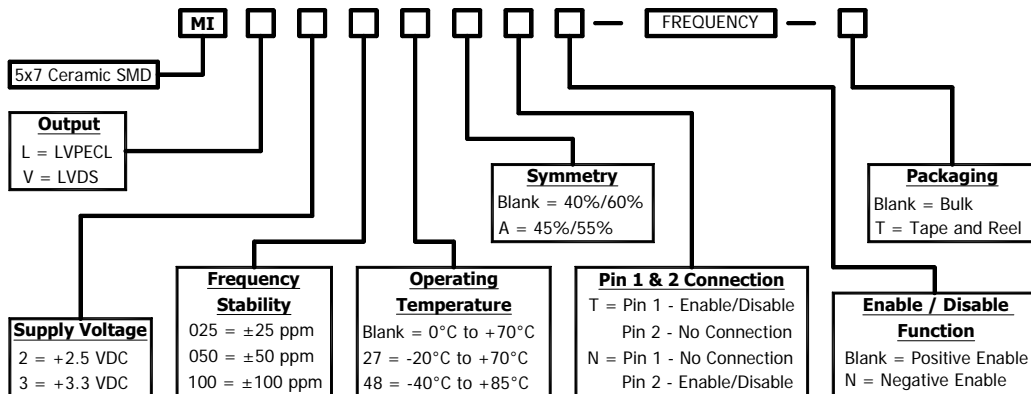
ELECTRICAL SPECIFICATION:

	LVPECL		LVDS	
Frequency	19.440 MHz to 1.000GHZ			
Frequency Stability	$\pm 20\text{ppm}^*$ to $\pm 100\text{ppm}$ Inclusive of Load, Voltage, and Aging $^*\pm 20\text{ppm}$ 0°C to +70°C only			
Aging	$\pm 3\text{ppm}$ First Year max			
Operating Temperature Range	0°C - +70°C to -40°C - +85°C			
Storage Temperature Range	-55°C – +125°C			
Supply Voltage (Vdd)	+2.5 VDC $\pm 5\%$	+3.3 VDC $\pm 5\%$	+2.5 VDC $\pm 5\%$	+3.3 VDC $\pm 5\%$
Supply Current	65mA max	80mA max	45mA max	
Output Voltage Logic "0" (Vol)	Vdd - 1.620Vdc max			1.43V typ
Output Voltage Logic "1" (Voh)	Vdd - 1.025Vdc min			1.10V typ
Symmetry (at 50% of wave form)	40% / 60% or 45% / 55%			
Rise / Fall Time (20% to 80%)	1nSec max			
Jitter (RMS)	1pSec at 12k to 20.000MHZ			
Load Drive Capacity	50 Ω		50 Ω	
Enable / Disable Function	Vih = 70% of Vdd min to Enable Output Vil = 30% max or grounded to Disable Output (High Impedance) Negative Enable / Disable Vih = 70% of Vdd min to Disable Output (High Impedance) Vil = 30% min or No Connect to Enable Outputs			

MECHANICAL DETAIL:



PART NUMBERING GUIDE:



Please Consult with MMD Sales Department for any other Parameters or Options

MMD Components, 30400 Esperanza, Rancho Santa Margarita, CA, 92688
 Phone: (949) 709-5075, Fax: (949) 709-3536, www.mmdcomp.com
Sales@mmdcomp.com