

### Description

GM6605 series of positive adjustable and fixed regulators is designed to provide 5A output current with low dropout voltage performance. On-chip trimming adjusts the reference voltage with an accuracy of  $\pm 1\%$  for adjustable, and  $\pm 2\%$  for fixed output voltage versions. Besides the features mentioned, GM6605 works well in post regulators or micro-processor power supplies where low voltage operation and fast transient response are required. GM6605 includes over current protection and thermal shutdown protection as well.

GM6605 is available in TO-220 and surface-mount TO-263 packages.

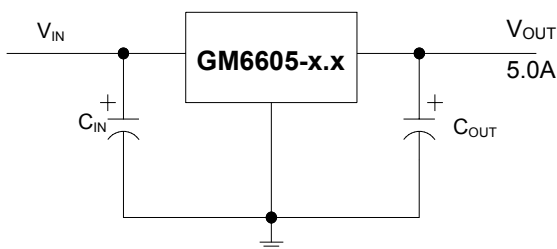
### Features

- Adjustable or Fixed Output
- Output Current of 5A
- Low Dropout, 1.5V max at 5A Output Current
- 0.04% Line Regulation
- 0.2 % Load Regulation
- 100% Thermal Limit Burn-In
- Fast Transient Response

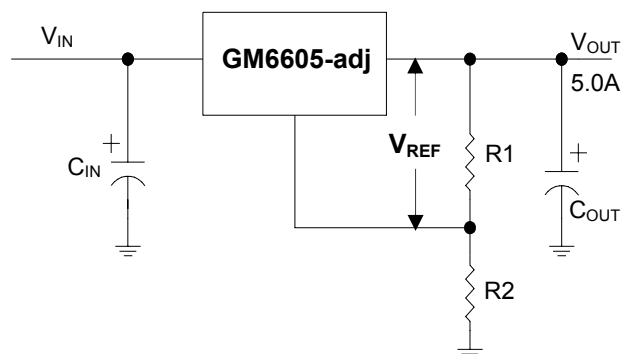
### Applications

- Microprocessor Supply
- Post Regulators for Switching Supplies
- Telecommunication Systems
- Medical Equipment
- Printer Supplies
- Motherboards

### Typical Application Circuit



**Fixed Output Voltage Version**

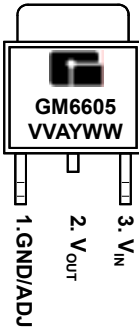


**Adjustable Output Voltage Version**

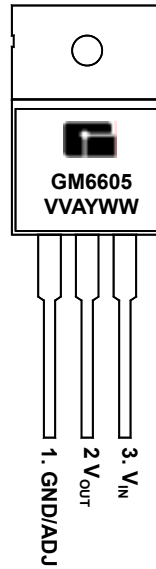
$$V_{OUT} = V_{REF} \times \left( 1 + \frac{R2}{R1} \right) + I_{ADJ} \times R2$$

## Marking Information and Pin Configurations (Top View)

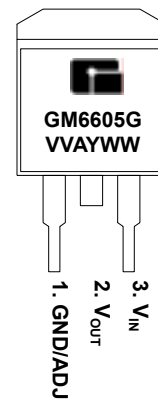
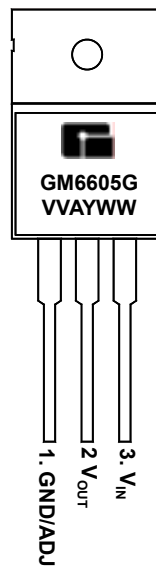
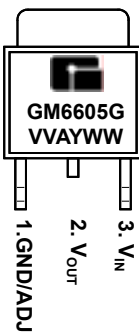
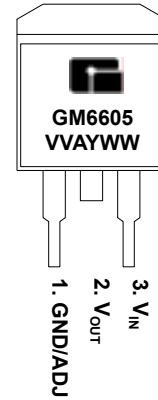
TO 252  
(D-PAK)



TO 220



TO 263  
(D<sup>2</sup>-PAK)



G: Green Product  
 VV: Output Voltage Codes (05: 5.0V, ...A: ADJ)  
 A: Assembly/Test Site Code  
 Y: Year  
 WW: Week

## Ordering Information

Ordering Number	V <sub>OUT</sub>	Package	Shipping
GM6605-ATA3T	Adj	TO-263	50 Units/Tube
GM6605-ATA3R		TO-263	800 Units / Reel
GM6605-ATB3T		TO-220	50 Units/Tube
GM6605-ATC3T		TO-252	80 Units/Tube
GM6605-ATC3R		TO-252	2,500 Units / Reel
GM6605-1.8TA3T	1.8V	TO-263	50 Units/Tube
GM6605-1.8TA3R		TO-263	800 Units / Reel
GM6605-1.8TB3T		TO-220	50 Units/Tube
GM6605-1.8TC3T		TO-252	80 Units/Tube
GM6605-1.8TC3R		TO-252	2,500 Units / Reel
GM6605-2.5TA3T	2.5V	TO-263	50 Units/Tube
GM6605-2.5TA3R		TO-263	800 Units / Reel
GM6605-2.5TB3T		TO-220	50 Units/Tube
GM6605-2.5TC3T		TO-252	80 Units/Tube
GM6605-2.5TC3R		TO-252	2,500 Units / Reel
GM6605-3.3TA3T	3.3V	TO-263	50 Units/Tube
GM6605-3.3TA3R		TO-263	800 Units / Reel
GM6605-3.3TB3T		TO-220	50 Units/Tube
GM6605-3.3TC3T		TO-252	80 Units/Tube
GM6605-3.3TC3R		TO-252	2,500 Units / Reel
GM6605-5.0TA3T	5.0V	TO-263	50 Units/Tube
GM6605-5.0TA3R		TO-263	800 Units / Reel
GM6605-5.0TB3T		TO-220	50 Units/Tube
GM6605-5.0TC3T		TO-252	80 Units/Tube
GM6605-5.0TC3R		TO-252	2,500 Units / Reel

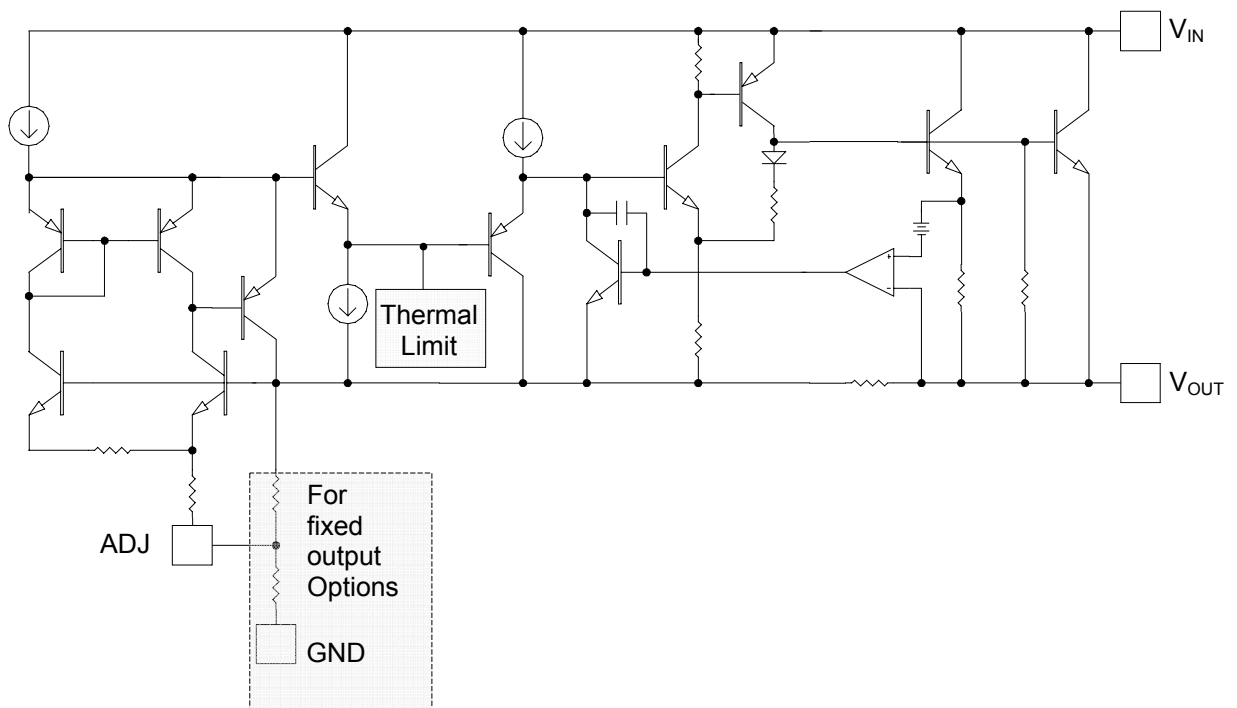
### Ordering Information – Green Products

Ordering Number	V <sub>OUT</sub>	Package	Shipping
GM6605-ATA3TG	Adj	TO-263	50 Units/Tube
GM6605-ATA3RG		TO-263	800 Units / Reel
GM6605-ATB3TG		TO-220	50 Units/Tube
GM6605-ATC3TG		TO-252	80 Units/Tube
GM6605-ATC3RG		TO-252	2,500 Units / Reel
GM6605-1.8TA3TG	1.8V	TO-263	50 Units/Tube
GM6605-1.8TA3RG		TO-263	800 Units / Reel
GM6605-1.8TB3TG		TO-220	50 Units/Tube
GM6605-1.8TC3TG		TO-252	80 Units/Tube
GM6605-1.8TC3RG		TO-252	2,500 Units / Reel
GM6605-2.5TA3TG	2.5V	TO-263	50 Units/Tube
GM6605-2.5TA3RG		TO-263	800 Units / Reel
GM6605-2.5TB3TG		TO-220	50 Units/Tube
GM6605-2.5TC3TG		TO-252	80 Units/Tube
GM6605-2.5TC3RG		TO-252	2,500 Units / Reel
GM6605-3.3TA3TG	3.3V	TO-263	50 Units/Tube
GM6605-3.3TA3RG		TO-263	800 Units / Reel
GM6605-3.3TB3TG		TO-220	50 Units/Tube
GM6605-3.3TC3TG		TO-252	80 Units/Tube
GM6605-3.3TC3RG		TO-252	2,500 Units / Reel
GM6605-5.0TA3TG	5.0V	TO-263	50 Units/Tube
GM6605-5.0TA3RG		TO-263	800 Units / Reel
GM6605-5.0TB3TG		TO-220	50 Units/Tube
GM6605-5.0TC3TG		TO-252	80 Units/Tube
GM6605-5.0TC3RG		TO-252	2,500 Units / Reel

### Absolute Maximum Ratings

PARAMETER	SYMBOL	RATINGS	UNITS
Input Voltage	$V_I$	15	V
Power Dissipation	$P_D$	Internally Limited	W
Operating Junction Temperature	$T_J$	- 40 to 125	°C
Storage Temperature	$T_{stg}$	- 60 to 150	°C
Lead Temperature 1.6mm (1/6 inch) from case for 10 seconds		260	°C

### Block Diagram



### Electrical Characteristics (T<sub>i</sub> = 25°C, Inless otherwise noted)

Parameter		Symbol	Test Condition	Min	Typ	Max	Unit
Reference Voltage	GM6605-A	V <sub>REF</sub>	I <sub>OUT</sub> = 10mA, V <sub>IN</sub> - V <sub>OUT</sub> = 1.5V	1.238	1.250	1.262	V
			10mA ≤ I <sub>OUT</sub> ≤ 5A, 3.3V ≤ V <sub>IN</sub> ≤ 7V	1.230	1.250	1.270	
Output Voltage	GM6605-1.8	V <sub>O</sub>	I <sub>OUT</sub> = 10mA, V <sub>IN</sub> = 3.3V	1.782	1.800	1.818	V
			10mA ≤ I <sub>OUT</sub> ≤ 5A, 3.3V ≤ V <sub>IN</sub> ≤ 7V	1.764	1.800	1.836	
	GM6605-2.5		I <sub>OUT</sub> = 10mA, V <sub>IN</sub> = 4V	2.475	2.500	2.525	
			10mA ≤ I <sub>OUT</sub> ≤ 5A, 4V ≤ V <sub>IN</sub> ≤ 7V	2.460	2.500	2.540	
	GM6605-3.3		I <sub>OUT</sub> = 10mA, V <sub>IN</sub> = 4.8V	3.267	3.300	3.333	
			10mA ≤ I <sub>OUT</sub> ≤ 5A, 4.8V ≤ V <sub>IN</sub> ≤ 7V	3.247	3.300	3.353	
	GM6605-5.0		I <sub>OUT</sub> = 10mA, V <sub>IN</sub> = 6.5V	4.950	5.000	5.050	
			10mA ≤ I <sub>OUT</sub> ≤ 5A, 6.5V ≤ V <sub>IN</sub> ≤ 7V	4.920	5.000	5.080	
Line Regulation	GM6605-A	ΔV <sub>OI</sub>	I <sub>OUT</sub> = 10mA, 3.3V ≤ V <sub>IN</sub> ≤ 7V		0.04	0.20	%
	GM6605-1.8		I <sub>OUT</sub> = 10mA, 3.3V ≤ V <sub>IN</sub> ≤ 7V				
	GM6605-2.5		I <sub>OUT</sub> = 10mA, 4V ≤ V <sub>IN</sub> ≤ 7V				
	GM6605-3.3		I <sub>OUT</sub> = 10mA, 4.8V ≤ V <sub>IN</sub> ≤ 7V				
	GM6605-5.0		I <sub>OUT</sub> = 10mA, 6.5V ≤ V <sub>IN</sub> ≤ 7V				
Load Regulation	GM6605-A	ΔV <sub>OL</sub>	V <sub>IN</sub> - V <sub>OUT</sub> = 1.5V, 10mA ≤ I <sub>OUT</sub> ≤ 5A		0.08	0.40	%
	GM6605-1.8		V <sub>IN</sub> = 3.3V, 10mA ≤ I <sub>OUT</sub> ≤ 5A				
	GM6605-2.5		V <sub>IN</sub> = 4.0V, 10mA ≤ I <sub>OUT</sub> ≤ 5A				
	GM6605-3.3		V <sub>IN</sub> = 4.8V, 10mA ≤ I <sub>OUT</sub> ≤ 5A				
	GM6605-5.0		V <sub>IN</sub> = 6.5V, 10mA ≤ I <sub>OUT</sub> ≤ 5A				
Dropout Voltage		V <sub>D</sub>	I <sub>OUT</sub> = 5A		1.3	1.5	V
Current Limit		I <sub>CL</sub>	V <sub>IN</sub> - V <sub>OUT</sub> = 3V	5.5	6.8		A
Minimum Load Current		I <sub>O(MIN)</sub>	V <sub>IN</sub> = 5.0V		5	10	mA
Quiescent Current	GM6605-1.8	I <sub>Q</sub>	V <sub>IN</sub> = 3.3V, 10mA ≤ I <sub>OUT</sub> ≤ 5A		5	10	mA
	GM6605-2.5		V <sub>IN</sub> = 4.0V, 10mA ≤ I <sub>OUT</sub> ≤ 5A				
	GM6605-3.3		V <sub>IN</sub> = 4.8V, 10mA ≤ I <sub>OUT</sub> ≤ 5A				
	GM6605-5.0		V <sub>IN</sub> = 6.5V, 10mA ≤ I <sub>OUT</sub> ≤ 5A				
Adjust Pin Current	GM6605-A	I <sub>ADJ</sub>	I <sub>OUT</sub> = 10mA, 2.75V ≤ V <sub>IN</sub> ≤ 7V		50	120	μA
Temperature Coefficient			I <sub>OUT</sub> = 10mA, V <sub>IN</sub> - V <sub>OUT</sub> = 1.5V		0.005		%/°C
Ripple Rejection		R <sub>A</sub>	I <sub>OUT</sub> = 5A, V <sub>IN</sub> - V <sub>OUT</sub> = 1.5V	60	80		dB

### Application Information

GM6605 series linear regulators provide fixed and adjustable output voltages at currents up to 5.0A. These regulators are protected against over-current conditions and include thermal shutdown protection. The GM6605 has a composite PNP-NPN output transistor and require an output capacitor for stability.

A detailed procedure for selecting this capacitor is as below:

#### Stability Considerations

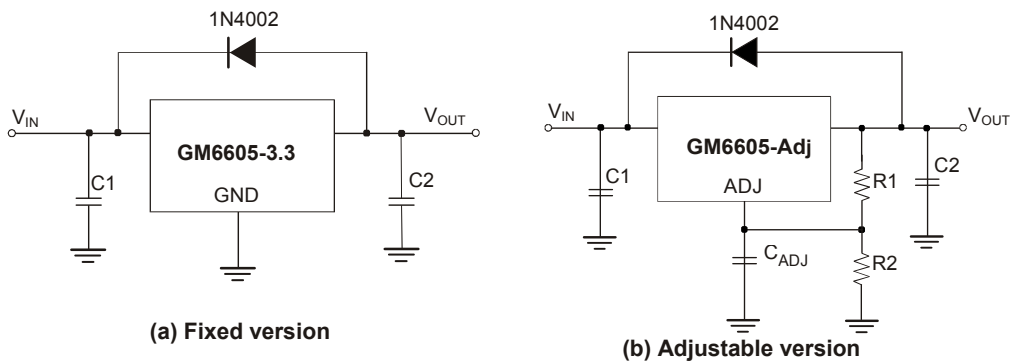
The output compensation capacitor helps to determine three main characteristics of a linear regulator's performance: start-up delay, load transient response, and loop stability. The capacitor value and type is based on cost, availability, size, and temperature constraints. A tantalum or aluminum electrolytic capacitor is preferred, as a film or ceramic capacitor with almost zero ESR can cause instability. An aluminum electrolytic capacitor is the least expensive type. But when the circuit operates at low temperatures, both the value and ESR of the capacitor will vary widely. For optimum performance over the full operating temperature range, a tantalum capacitor is the best. A 22 $\mu$ F tantalum capacitor will work fine in most applications. But with high current regulators, such as GM6605 higher capacitance values will improve the transient response and stability. Most applications for Gm6605 involve large changes in load current, so the output capacitor must supply instantaneous load current. The ESR of the output capacitor causes an immediate drop in output voltage given by:

$$V = I \times \text{ESR}$$

In microprocessor applications an output capacitor network of several tantalum and ceramic capacitors in parallel is commonly used. This reduces overall ESR and minimizes the instantaneous output voltage drop under transient load conditions. The output capacitor network should be placed as close to the load as possible for the best results.

#### Protection Diodes

When large external capacitors are used with most linear regulators, it is wise to add protection diodes. If the input voltage of the regulator is shorted, the output capacitor will discharge into the output of the regulator. The discharge current depends on the value of capacitor, output voltage, and rate at which  $V_{IN}$  drops.

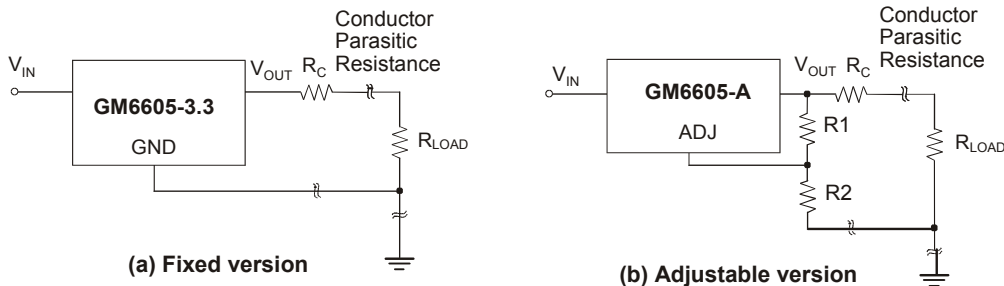


**Figure 1. Protection Diode Scheme  
for large Output Capacitors**

For GM6605, the discharge path is through a large junction, and protection diodes are normally not needed. However, if the regulator is used with large output capacitance values and the input voltage is instantaneously shorted to ground, damage can occur. In this case, a diode connected as shown above in Figure 1 is recommended.

### Output Voltage Sensing

GM6605 series is a three-terminal regulator, so it cannot provide true remote load sensing. Load regulation is limited by the resistance of the conductors connecting the regulator to the load. For best results, GM6605 should be connected as shown in Figure 2.



**Figure 2. Conductor parasitic resistance effects are minimized by this grounding scheme.**

### Calculating Power Dissipation and Heat Sink Requirements

GM6605 series include thermal shutdown and current limit circuitry to protect the devices. However, high power regulators normally operate at high junction temperatures so it is important to calculate the power dissipation and junction temperatures accurately to be sure to use an adequate heat sink. The case is connected to  $V_{OUT}$  on GM6605, so electrical isolation may be required for some applications. Thermal compound should always be used with high current regulators like GM6605.

The thermal characteristics of an IC depend on four factors:

1. Maximum Ambient Temperature  $T_A$  ( $^{\circ}C$ )
2. Power Dissipation  $P_D$  (Watts)
3. Maximum Junction Temperature  $T_J$  ( $^{\circ}C$ )
4. Thermal Resistance Junction to ambient  $\theta_{JA}$

The relationship of these four factors is expressed by equation (1):

$$T_J = T_A + P_D \times \theta_{JA}$$

Maximum ambient temperature and power dissipation are determined by the design while the maximum junction temperature and thermal resistance depend on the manufacturer and the package type.

The maximum power dissipation for a regulator is expressed by equation (2):

$$P_{D(MAX)} = (V_{IN(MAX)} - V_{OUT(MIN)}) \times I_{OUT(MIN)} + V_{IN(MIN)} \times I_Q$$

where:

- $V_{IN(MAX)}$  is the maximum input voltage,
- $V_{OUT(MIN)}$  is the minimum output voltage,
- $I_{OUT(MAX)}$  is the maximum output current
- $I_Q$  is the maximum quiescent current at  $I_{OUT(MAX)}$ .

A heat sink effectively increases the surface area of the package to improve the flow of heat away from the IC into the air. Each material in the heat flow path between the IC and the environment has a thermal resistance. Like series electrical resistances, these resistances are summed to determine  $\theta_{JA}$ , the total thermal resistance between the junction and the air. This is expressed by equation (3):

$$\theta_{JA} = \theta_{JC} + \theta_{CS} + \theta_{SA}$$

where:

- $\theta_{JC}$  is the thermal resistance of Junction to Case,
- $\theta_{CS}$  is the thermal resistance of Case to Heat Sink,
- $\theta_{SA}$  is the thermal resistance of Heat Sink to Ambient air.

The value for  $\theta_{JA}$  is calculated using equation (3) and the result can be substituted in equation (1). The value for  $\theta_{CS}$  is  $3.5^{\circ}C/W$  for a given package type based on an average die size. For a high current regulator such as GM6605, the majority of the heat is generated in the power transistor section.



### Typical Performance Characteristics

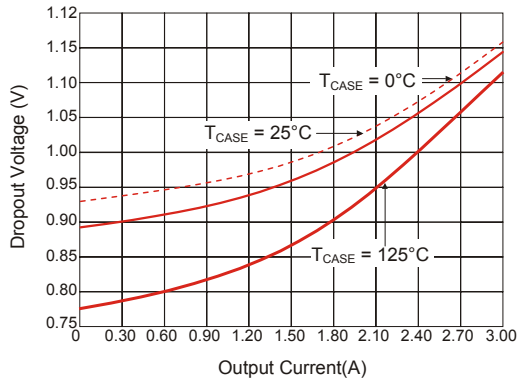


Figure 1. Dropout Voltage vs. Output Current

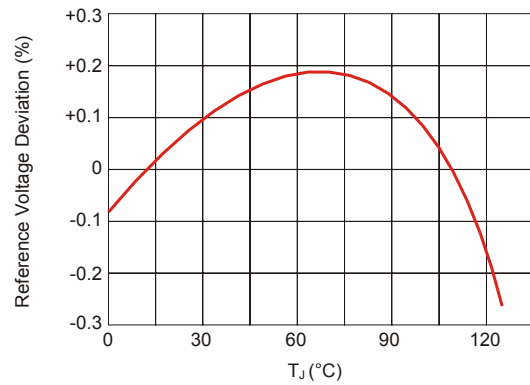


Figure 2. Bandgap Reference Voltage Deviation vs. Temperature

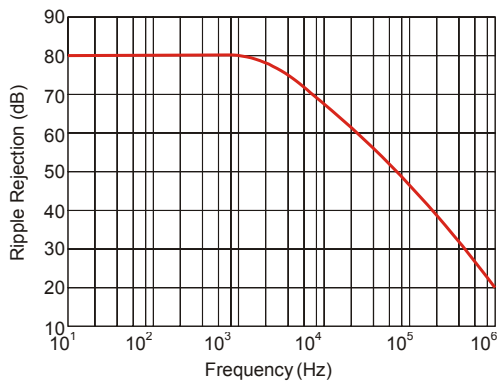


Figure 3. Ripple Rejection vs. Frequency

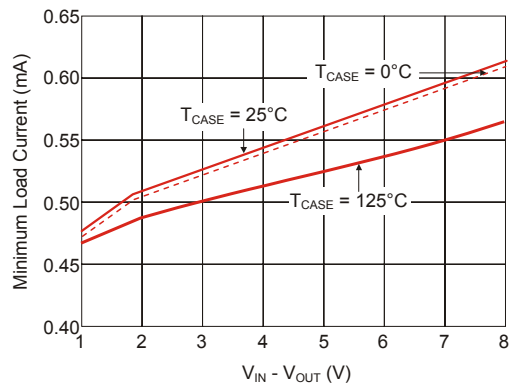
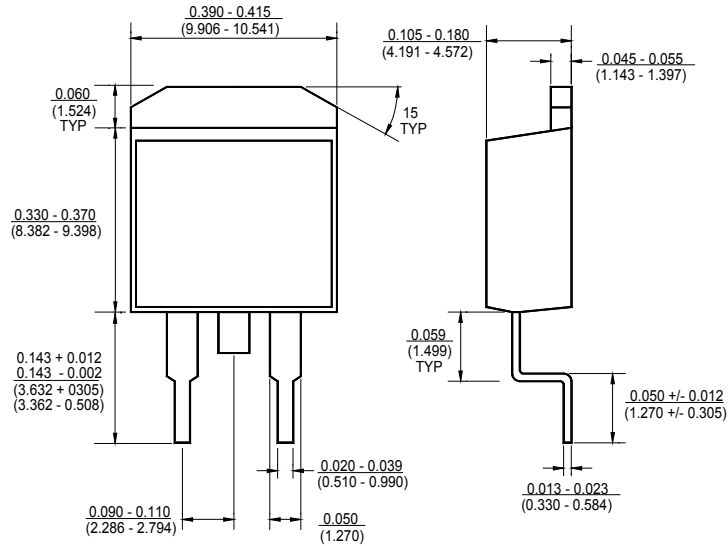
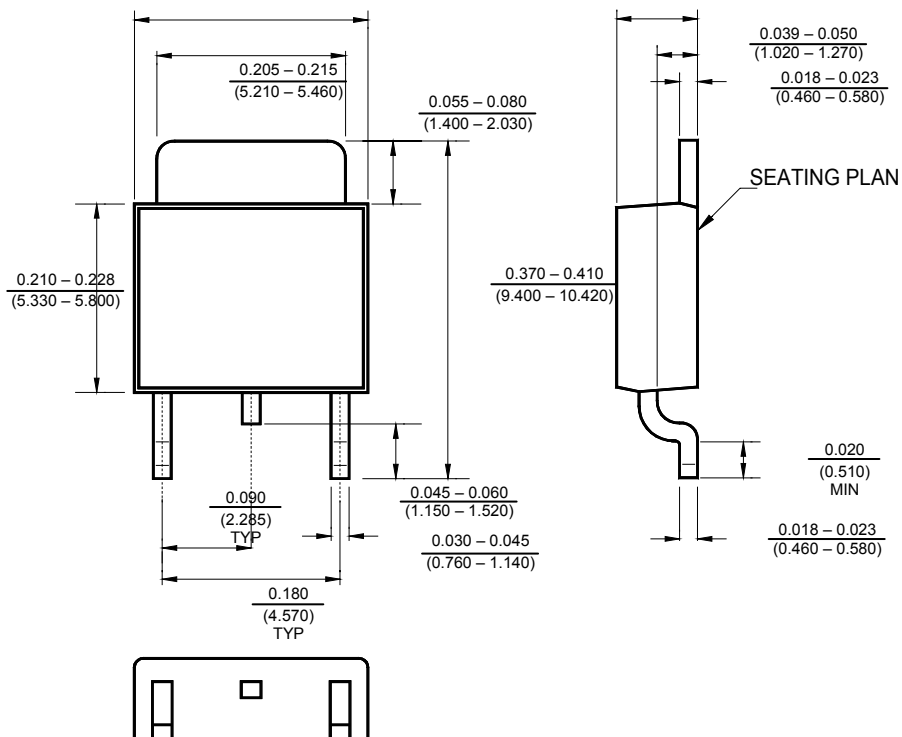


Figure 4. Minimum Load Current vs.  $V_{IN} - V_{OUT}$

### Package Outline Dimensions – TO263



### Package Outline Dimensions – TO252



## Ordering Number

**GM   6605   - 1.8   TA3   I   G**

APM Gamma Micro	Circuit Type	Output Voltages	Package Type	Shipping Type	
		A: ADJ 1.8: 1.8V 2.5: 2.5V 3.3: 3.3V 5.0: 5.0V	TA3: TO263 TB3: TO220 TC3: TO252	T: Tube R: Tape & Reel	Blank: Pb-free G:Green

Note:

**Pb-free products:**

- ◆ RoHS compliant and compatible with the current requirements of IPC/JEDEC J-STD-020.
- ◆ Suitable for use in SnPb or Pb-free soldering processes with 100% matte tin (Sn) plating.

**Green products:**

- ◆ Lead-free (RoHS compliant)
- ◆ Halogen free (Br or Cl does not exceed 900ppm by weight in homogeneous material and total of Br and Cl does not exceed 1500ppm by weight)