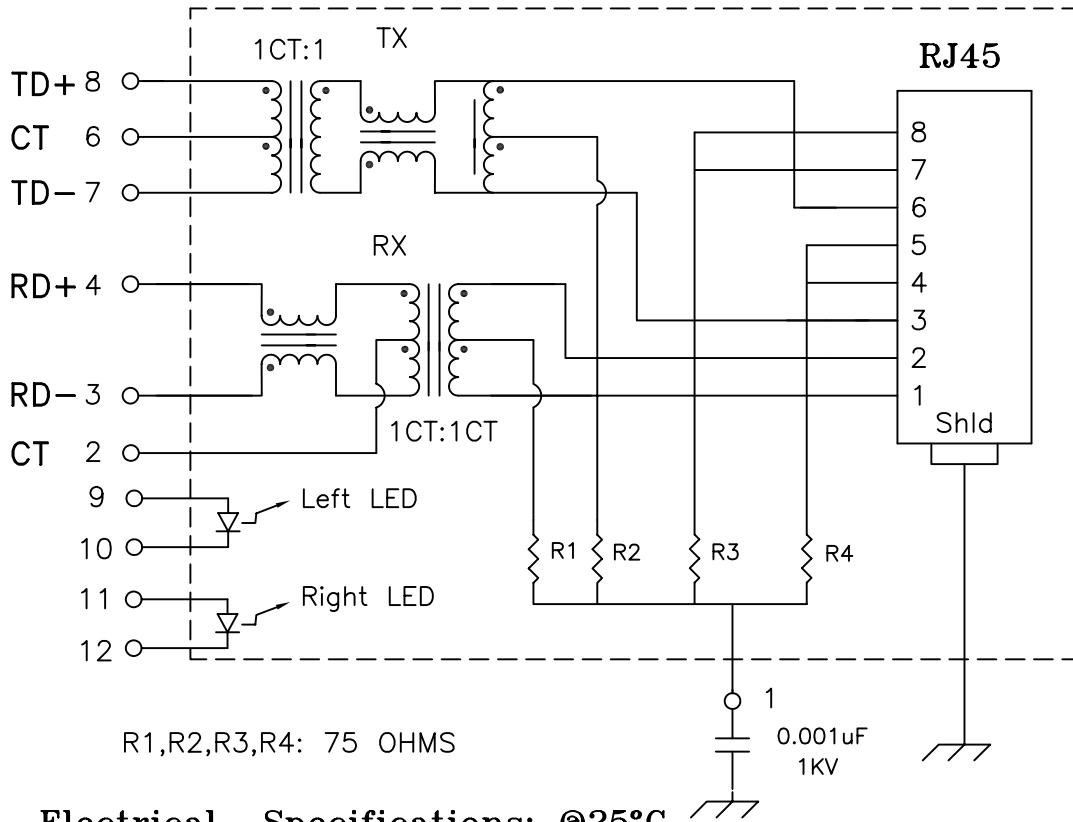


Schematic:



Electrical Specifications: @25°C

Isolation Voltage: 1500 Vrms (INPUT to OUTPUT)

Isolation Voltage: 500 Vrms (6+7+8-2+3+4)

URNS RATIO: TX 1CT:1 ±5% RX 1CT:1CT ±5%

OCL: 350uH Minimum @100KHz 100mV 8mADC

Insertion Loss (300KHz-100MHz): -1.0dB Typical

Return Loss: 30MHz -16dB Typical

60MHz -12dB Typical

80MHz -10dB Typical

CROSSTALK: 32MHz -40dB Minimum

62MHz -35dB Minimum

Notes: 100MHz -35dB Minimum

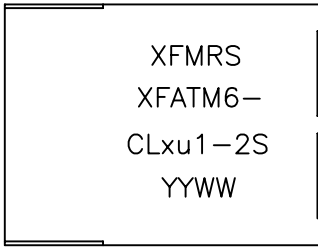
1. Solderability: Leads shall meet MIL-STD-202, Method 208D for solderability.
2. Flammability: UL94V-0
3. ASTM oxygen index: > 28%
4. Temperature rating: 155°C. UL file E151556
5. Operating Temperature Range: 0°C to +70°C

PRELIMINARY

DOC. REV: A/1

XFMRS Inc.	Title: SINGLE PORT COMBO	
	UNLESS OTHERWISE SPECIFIED TOLERANCES: .xxx ±0.010	P/N: XFATM6-CLxul-2S
Dimensions in Inch	DWN. 李小锋	Jun-28-02
SHEET 1 OF 2	CHK. 廖玉坤	Jun-28-02
	APP. Isaiah M	Jun-28-02

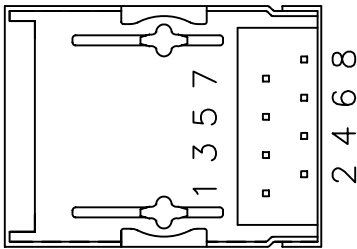
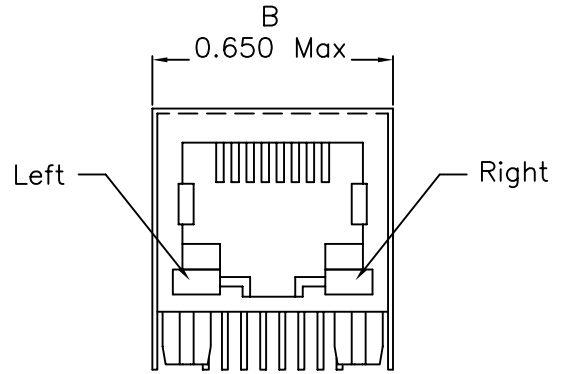
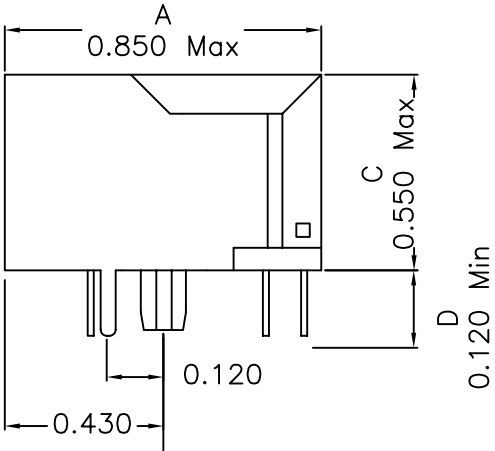
Mechanical Dimensions:



Complete the Combo P/N as follows:

Replace 'x' & 'u' in the part number with one of the four LED color letters:

- 'x' = Left LED Color Y=Yellow
- 'u' = Right LED Color G=Green
- A=Amber
- R=Red

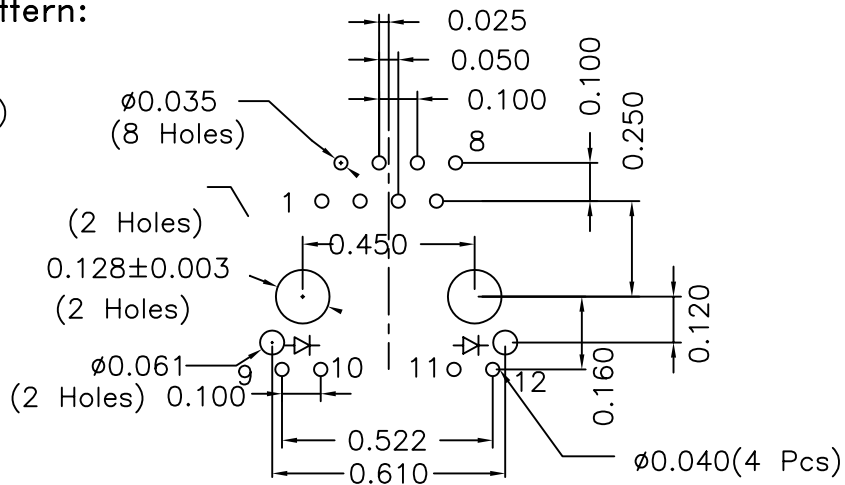


(BOTTOM VIEW)

PRELIMINARY

Mounting Pattern:

(COMP SIDE)



DOC. REV: A/1

XFMR5 Inc.	Title: Mechanical Dimensions For CLxu1-2S Series		
	UNLESS OTHERWISE SPECIFIED TOLERANCES: .xxx ±0.010 Dimensions in Inch	P/N: XFATM6-CLxu1-2S	REV. A
	DWN.	李小锋	Jun-28-02
	CHK.	廖玉坤	Jun-28-02
SHEET 2 OF 2	APP.	Isaiah M	Jun-28-02