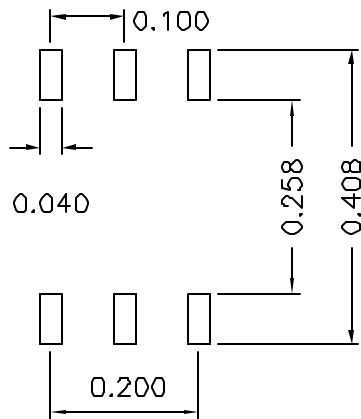
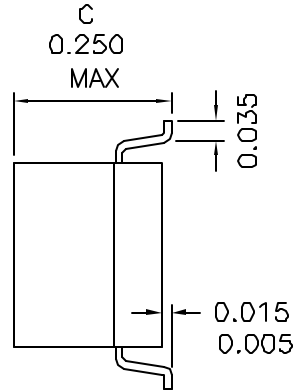
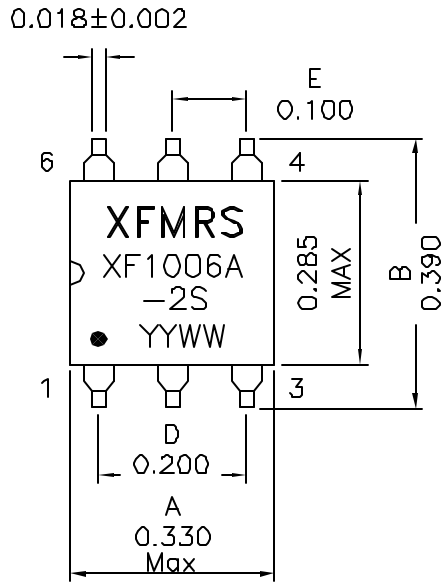


## 1. Mechanical Dimensions:

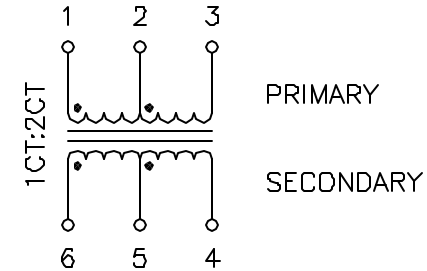


SUGGESTED PCB LAYOUT

### Notes:

1. Solderability: Leads shall meet MIL-STD-202, Method 208D for solderability.
2. Flammability: UL94V-0
3. ASTM oxygen index: > 28%
4. Insulation System: Class F 155°C. UL file E151556
5. Operating Temperature Range: All listed parameters are to be within tolerance from -40°C to +85°C
6. Storage Temperature Range: -55°C to +125°C
7. Aqueous wash compatible
8. SMD Lead Coplanarity:  $\pm 0.004"$  (0.102mm)
9. Moisture Sensitivity: Level 2

## 2. Schematic:



## 3. Electrical Specifications: @25°C

OCL: Pins 1-3 100uH Min @100KHz 0.1V

PRI LL: 0.5uH Max @100KHz 0.1V, Short SEC

Cw/w: Pins 1-6 15pF Max @100KHz 0.1V

DCR: Pins 1-3 0.600 Ohms Max

DCR: Pins 6-4 0.400 Ohms Max

Insertion Loss: -0.5dB Max @1-30MHz

Return Loss: -15dB Min @1-30MHz

TURNS RATIO: Pins (1-2-3):(6-5-4)=2CT:1CT $\pm 3\%$

ISOLATION: 1500Vac, Wdg to Wdg

DOC REV: A/1

**PROPRIETARY** Document is the property of XFMR5 Group & is not allowed to be duplicated without authorization.

<b>XFMR5 Inc</b>	Title: TRANSFORMERS		
UNLESS OTHERWISE SPECIFIED TOLERANCES: .xxx $\pm 0.010$	P/N: XF1006A-2S	REV. A	
	DWN.	罗振江	Aug-11-04
Dimensions in INCH	CHK.	廖玉坤	Aug-11-04
SHEET 1 OF 1	APP.	J Ng	Aug-11-04