

CTCDRH2D14F Series

From 1.5 μH to 12 μH



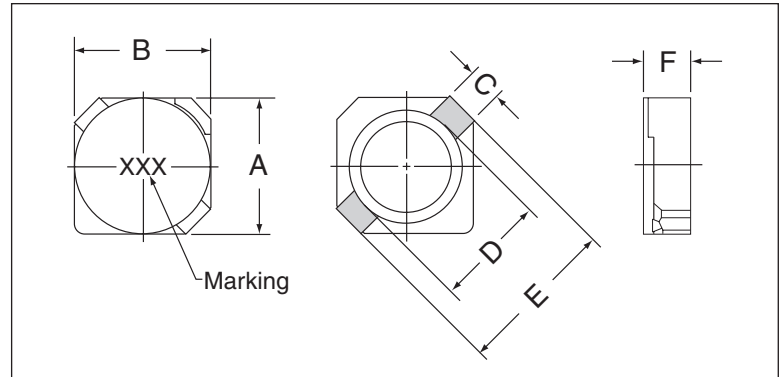
SPECIFICATIONS

Part are available in $\pm 30\%$ tolerance only

Part Number	Inductance (μH)	Test Freq. (KHz)	DCR Max. (m Ω)	Rated DC Current (A)	Temp. Rise Current Typ. (A)
CTCDRH2D14F-1R5N	1.5	100	63	1.80	1.80
CTCDRH2D14F-1R8N	1.8	100	75	1.65	1.80
CTCDRH2D14F-2R2N	2.2	100	114	1.50	1.50
CTCDRH2D14F-2R7N	2.7	100	116	1.35	1.40
CTCDRH2D14F-3R3N	3.3	100	158	1.20	1.24
CTCDRH2D14F-3R9N	3.9	100	205	1.10	1.12
CTCDRH2D14F-4R7N	4.7	100	238	1.00	1.00
CTCDRH2D14F-5R6N	5.6	100	256	0.95	0.98
CTCDRH2D14F-6R8N	6.8	100	282	0.85	0.92
CTCDRH2D14F-8R2N	8.2	100	307	0.80	0.80
CTCDRH2D14F-100N	10	100	338	0.70	0.76
CTCDRH2D14F-120N	12	100	470	0.62	0.64

PHYSICAL DIMENSIONS

Size	A Max.	B Max.	C	D	E	F Max.
mm	3.2	3.2	1.0	2.1	3.3	1.55
inches	0.126	0.126	0.04	0.08	0.130	0.061



CHARACTERISTICS

Description: SMD (shielded) power inductor

Applications: Power supplies for VTR, OA equipment, LCD televisions, PC notebooks, portable communication equipment, DC/DC converters, etc.

Operating Temperature: -30°C to $+100^{\circ}\text{C}$

Rated Current: The rated current indicates the current when the inductance decreases to 65% over it's nominal or D.C. current when the temperature rising $\Delta T=40^{\circ}\text{C}$ lower, whichever is lower.

Inductance Tolerance: $\pm 30\%$

Testing: Tested on a HP4285A at 100 KHz , 0.25Vrms , 0Adc

Packaging: Tape & Reel

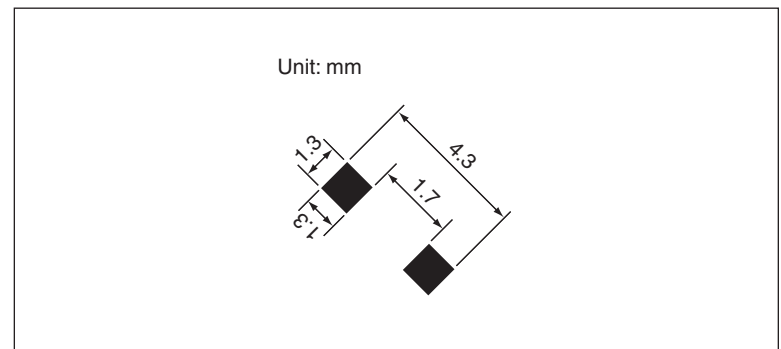
Marking: Parts are marked with inductance code.

Miscellaneous: RoHS Compliant

Additional Information: Additional electrical & physical information available upon request

Samples available. See website for ordering information.

PAD LAYOUT



12.26.06