



PRODUCT SPECIFICATION

Model No : CST-532V9/533V9

Descriptions:

- 0.56 Inch Triad Digit Display
- CST-532: Common Anode
- CST-533: Common Cathode
- Emitting Color: Super Bright Orange



| CUSTOMER APPROVED SIGNATURES | APPROVED BY | CHECKED BY | PREPARED BY |
|---------------------------------|-------------|------------|-------------|
| | | | |

CHINA SEMICONDUCTOR CORPORATION

Address:2FL. NO.909,Chung-Cheng Road,
Chung-Ho City Taipei Hsien,Taiwan.

Tel:886-2-2223-9696
Fax:886-2-2223-9377

OPTO PLUS TECHNOLOGIES CO.,LTD

Address:696 Shun jiang Rd.,Ji Shan St.Shaoxing,
ZheJiang,China

Tel:86-0575-88623888
Fax:86-0575-88623112



Model No : CST-532/533V9

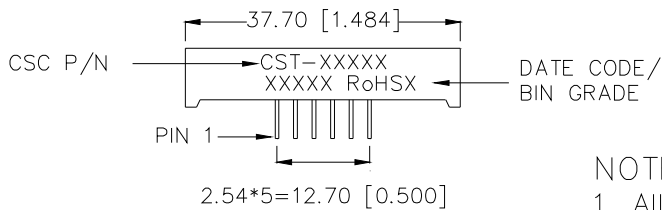
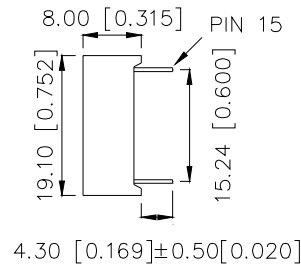
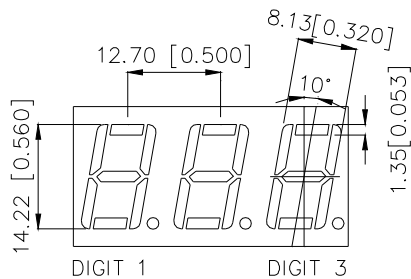
Features -

1. 0.56 inch (14.2mm) digit height.
2. Case mold type.
3. RoHS compliant.
4. Low power consumption.
5. Easy mounting on P.C. board or socket.

Device Selection Guide -

| Part No. | Chip | | Description |
|------------------|----------------|----------------------------|-----------------------|
| | Material | Emitted Color | |
| CST-532V9 | AlGaInP | Super Bright Orange | Common Anode |
| CST-533V9 | AlGaInP | Super Bright Orange | Common Cathode |

Package Dimensions -



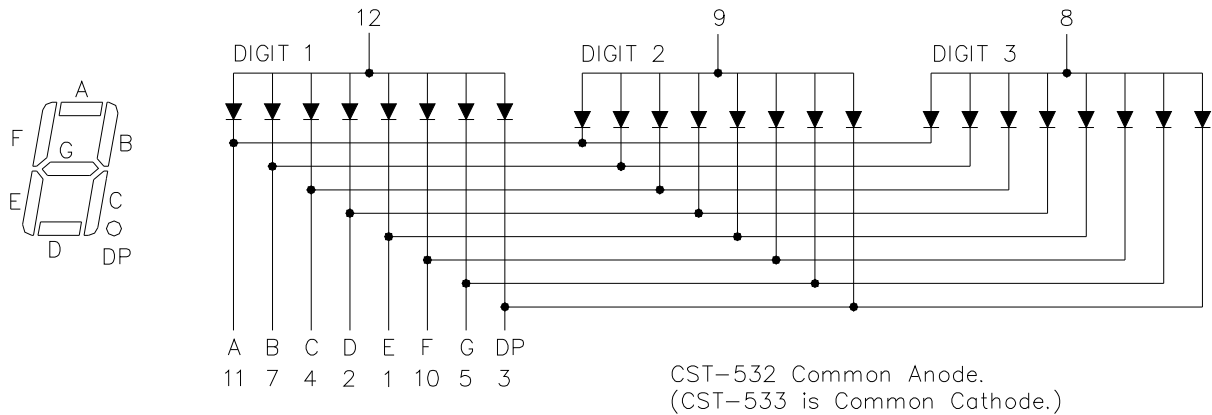
NOTE:

1. All pins are $\phi 0.50 [0.020]$.
2. Dimension in millimeters [inch], tolerance is $\pm 0.25 [0.010]$ unless otherwise noted.



Model No : CST-532/533V9

Internal Circuit Diagrams -



Absolute Maximum Rating -

(Ta=25°C)

| Parameter | Symbol | Rating | Unit |
|---|------------------|-----------|-------|
| Power Dissipation Per Dice | P _{AD} | 70 | mW |
| Continuous Forward Current Per Dice | I _{AF} | 25 | mA |
| Peak Current Per Dice(duty cycle 1/10, 1kHz) | I _{PF} | 90 | mA |
| Derating Linear From 25°C Per Dice | - | 0.33 | mA/°C |
| Reverse Voltage Per Dice | V _R | 5 | V |
| Operating Temp. | T _{opr} | -35 ~ +85 | °C |
| Storage Temp. | T _{stg} | -35 ~ +85 | °C |
| Solder temperature 1/16 inch below seating plane for 3 seconds at 260°C | | | |



Model No : CST-532/533V9

■ Electro-optical Characteristics -

(Ta=25°C)

| Parameter | Symbol | Min. | Typ. | Max. | Unit | Condition |
|-----------------------------------|------------------|------|------|------|------|----------------------|
| Forward Voltage Per Segment | V _F | - | 2.0 | 2.8 | V | I _F =20mA |
| Luminous Intensity Per Segment | I _v | - | 22 | - | mcd | I _F =10mA |
| Peak Emission Wavelength | λ _p | - | 632 | - | nm | I _F =20mA |
| Dominant Wavelength | λ _d | - | 624 | - | nm | I _F =20mA |
| Spectrum Radiation Bandwidth | Δλ | - | 20 | - | nm | I _F =20mA |
| Reverse Current | I _R | - | - | 100 | μA | V _R =5V |
| Luminous Intensity Matching Ratio | I _{V-m} | - | - | 2:1 | - | I _F =10mA |



Model No : CST-532/533V9

Typical Electrical / Optical Characteristics Curves -

(Ta = 25°C Unless Otherwise Noted)

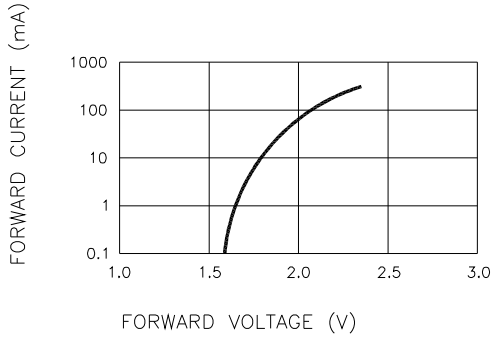


Fig.1 FORWARD CURRENT VS. FORWARD VOLTAGE

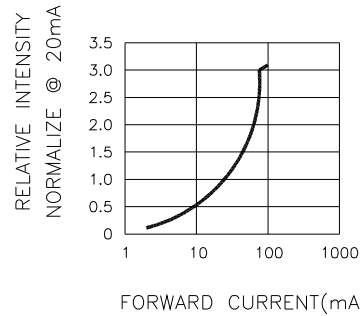


Fig.2 RELATIVE INTENSITY VS. FORWARD CURRENT

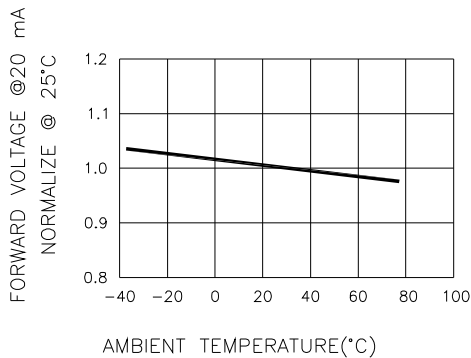


Fig.3 FORWARD VOLTAGE VS. TEMPERATURE

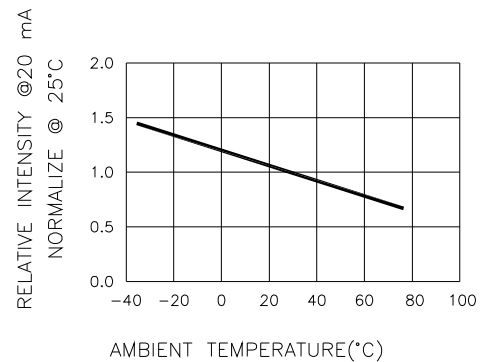


Fig.4 RELATIVE INTENSITY VS. TEMPERATURE

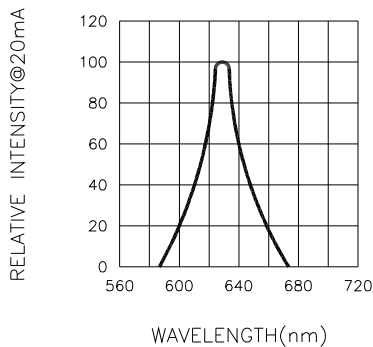
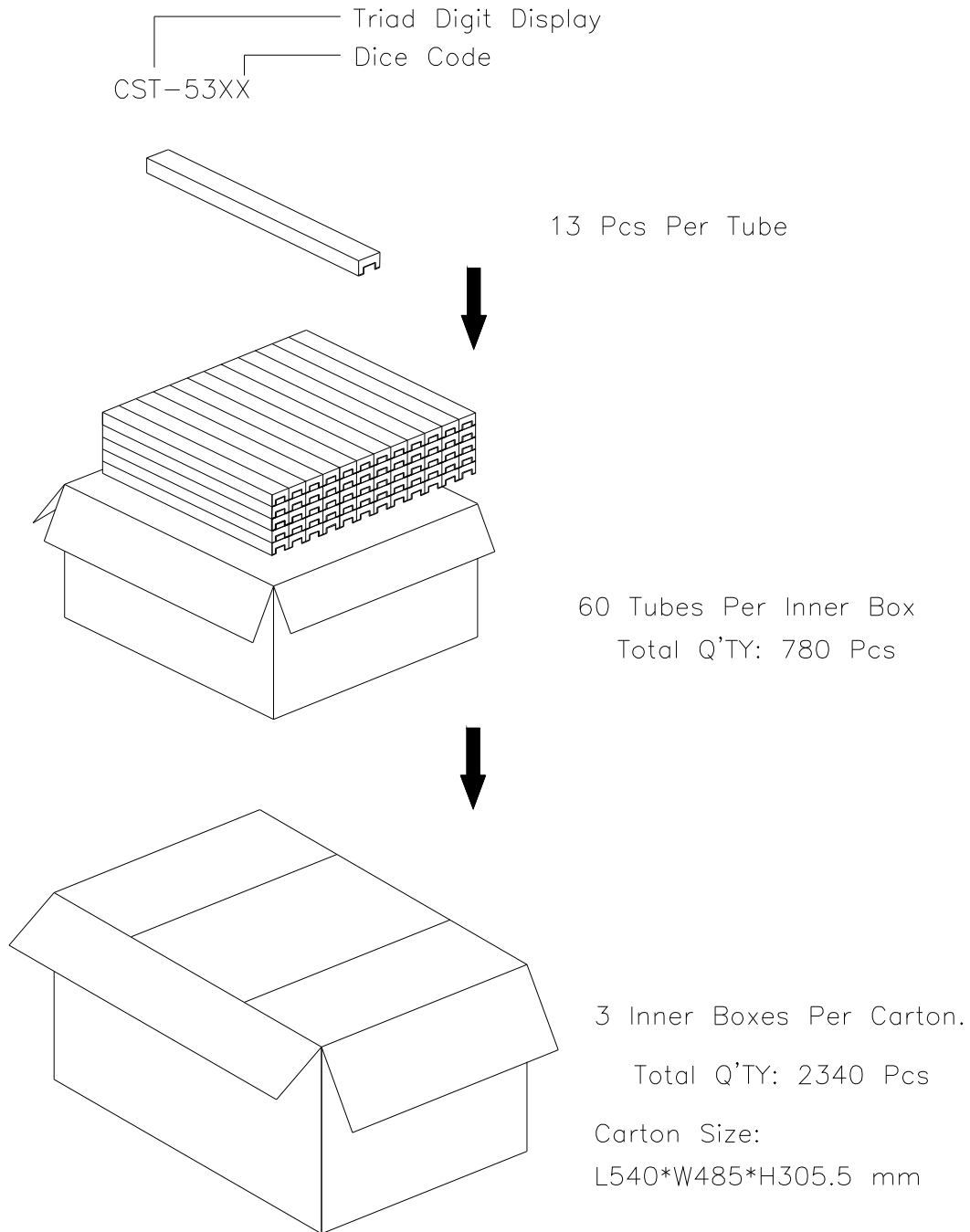


Fig.5 RELATIVE INTENSITY VS. WAVELENGTH



Model No : CST-532/533V9

■ Package Dimensions



Note: The specifications are subject to change without notice. Please contact us for updated information