

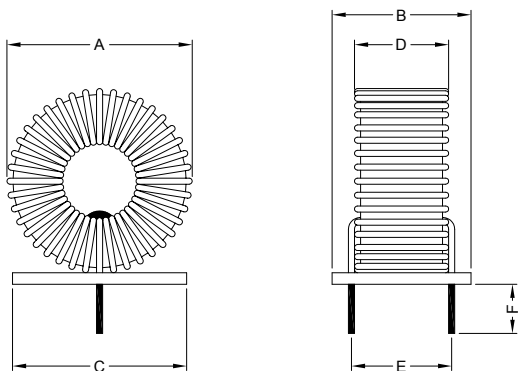
### 1. PART NO. EXPRESSION :

T B V - 1 0 0 M - 2 A - 3 0 2 6

(a)      (b)      (c)      (d)      (e)

- (a) Series code
- (b) Inductance code : 100 = 10.0uH
- (c) 2A : Rated Current
- (d) Core OD : 30 = 0.3"
- (e) Material code

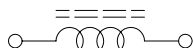
### 2. CONFIGURATION & DIMENSIONS :



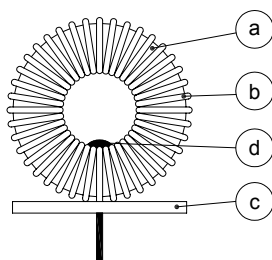
Unit:m/m

| A         | B         | C         | E         | ØW        |
|-----------|-----------|-----------|-----------|-----------|
| 8.50 Max. | 6.00 Max. | 10.00±3.0 | 1.00 Max. | 0.40 Ref. |

### 3. SCHEMATIC :



### 4. MATERIALS :



- (a) Core : Iron Powder Core
- (b) Wire : Enamelled Copper Wire
- (c) Base : FR4 (or equivalent)
- (d) Adhesive : Epoxy



**RoHS Compliant**

NOTE : Specifications subject to change without notice. Please check our website for latest information.

19.06.2008



**SUPERWORLD ELECTRONICS (S) PTE LTD**

## 5. GENERAL SPECIFICATION :

- a) Temp. rise : 40°C Max. at Irms
- b) Storage temp. : -40°C to +125°C
- c) Operating temp. : -25°C to +105°C

## 6. ELECTRICAL CHARACTERISTICS :

| Part No.           | Inductance @ 1KHz  |                     | IDC<br>( A )<br>Max. | DCR<br>( Ω )<br>Max. |
|--------------------|--------------------|---------------------|----------------------|----------------------|
|                    | @ Idc=0A<br>( μH ) | @ Idc=Max<br>( μH ) |                      |                      |
| TBV-100M-2A-3026   | 10                 | 7.7                 | 2                    | 0.017                |
| TBV-120M-1A-3026   | 12                 | 10.7                | 1                    | 0.040                |
| TBV-320M-1A-3026   | 32                 | 25                  | 1                    | 0.065                |
| TBV-8R2M-2A-3726   | 8.2                | 7.2                 | 2                    | 0.017                |
| TBV-220M-2A-3726   | 22                 | 17                  | 2                    | 0.030                |
| TBV-240M-1A-3726   | 24                 | 22                  | 1                    | 0.055                |
| TBV-680M-1A-3726   | 68                 | 53                  | 1                    | 0.095                |
| TBV-150M-2A-4426   | 15                 | 12.6                | 2                    | 0.023                |
| TBV-430M-1A-4426   | 43                 | 37                  | 1                    | 0.074                |
| TBV-680M-2A-4426   | 68                 | 42                  | 2                    | 0.056                |
| TBV-141M-1A-4426   | 140                | 104                 | 1                    | 0.140                |
| TBV-200M-3A-5026   | 20                 | 15                  | 3                    | 0.021                |
| TBV-300M-2A-5026   | 30                 | 25                  | 2                    | 0.035                |
| TBV-600M-3A-5026   | 60                 | 35                  | 3                    | 0.038                |
| TBV-680M-1A-5026   | 68                 | 60                  | 1                    | 0.101                |
| TBV-101M-2A-5026   | 100                | 63                  | 2                    | 0.081                |
| TBV-221M-1A-5026   | 220                | 162                 | 1                    | 0.190                |
| TBV-220M-5A-6026   | 22                 | 15                  | 5                    | 0.014                |
| TBV-290M-4A-6026   | 29                 | 20                  | 4                    | 0.020                |
| TBV-350M-3A-6026   | 35                 | 28                  | 3                    | 0.026                |
| TBV-580M-2A-6026   | 58                 | 45                  | 2                    | 0.061                |
| TBV-900M-3A-6026   | 90                 | 52.5                | 3                    | 0.044                |
| TBV-111M-2A-6026   | 110                | 79                  | 2                    | 0.069                |
| TBV-131M-1.0A-6026 | 130                | 116                 | 1                    | 0.146                |
| TBV-471M-1.0A-6026 | 470                | 310                 | 1                    | 0.286                |
| TBV-250M-5.0A-6826 | 25                 | 18                  | 5                    | 0.016                |
| TBV-320M-4.0A-6826 | 32                 | 24                  | 4                    | 0.021                |
| TBV-430M-3.0A-6826 | 43                 | 30                  | 3                    | 0.030                |
| TBV-650M-4.0A-6826 | 65                 | 55                  | 2                    | 0.055                |
| TBV-111M-4.0A-6826 | 110                | 56                  | 4                    | 0.042                |
| TBV-131M-3.0A-6826 | 130                | 77                  | 3                    | 0.055                |
| TBV-151M-1.0A-6826 | 150                | 137                 | 1                    | 0.159                |
| TBV-231M-2.0A-6826 | 230                | 148                 | 2                    | 0.108                |
| TBV-501M-1.0A-6826 | 500                | 355                 | 1                    | 0.300                |

NOTE : Specifications subject to change without notice. Please check our website for latest information.

19.06.2008



**SUPERWORLD ELECTRONICS (S) PTE LTD**

## 6. ELECTRICAL CHARACTERISTICS :

| Part No.           | Inductance @ 1KHz               |                                   | IDC<br>( A )<br>Max. | DCR<br>( Ω )<br>Max. |
|--------------------|---------------------------------|-----------------------------------|----------------------|----------------------|
|                    | @ I <sub>dc</sub> =0A<br>( μH ) | @ I <sub>dc</sub> =Max.<br>( μH ) |                      |                      |
| TBV-500M-5.0A-8026 | 50                              | 33                                | 5                    | 0.022                |
| TBV-600M-4.0A-8026 | 60                              | 42                                | 4                    | 0.030                |
| TBV-750M-3.0A-8026 | 75                              | 54                                | 3                    | 0.039                |
| TBV-820M-3.0A-8026 | 82                              | 60                                | 3                    | 0.042                |
| TBV-101M-5.0A-8026 | 100                             | 53                                | 5                    | 0.033                |
| TBV-111M-2.0A-8026 | 110                             | 90                                | 2                    | 0.074                |
| TBV-151M-5.0A-8026 | 150                             | 68                                | 5                    | 0.042                |
| TBV-221M-4.0A-8026 | 220                             | 105                               | 4                    | 0.059                |
| TBV-271M-3.0A-8026 | 270                             | 140                               | 3                    | 0.081                |
| TBV-321M-2.0A-8026 | 320                             | 193                               | 2                    | 0.131                |
| TBV-431M-2.0A-8026 | 430                             | 246                               | 2                    | 0.150                |
| TBV-961M-1.0A-8026 | 960                             | 625                               | 1                    | 0.438                |
| TBV-900M-5.0A-9026 | 90                              | 54                                | 5                    | 0.034                |
| TBV-141M-3.0A-9026 | 140                             | 98                                | 3                    | 0.064                |
| TBV-201M-2.0A-9026 | 200                             | 154                               | 2                    | 0.114                |
| TBV-321M-5.0A-9026 | 320                             | 120                               | 5                    | 0.068                |
| TBV-451M-2.0A-9026 | 450                             | 280                               | 2                    | 0.174                |
| TBV-471M-1.0A-9026 | 470                             | 398                               | 1                    | 0.354                |
| TBV-471M-3.0A-9026 | 470                             | 225                               | 3                    | 0.118                |
| TBV-182M-1.0A-9026 | 1800                            | 1130                              | 1                    | 0.680                |
| TBV-820M-5.0A-9426 | 82                              | 52                                | 5                    | 0.033                |
| TBV-101M-4.0A-9426 | 100                             | 69                                | 4                    | 0.042                |
| TBV-131M-3.0A-9426 | 130                             | 96                                | 3                    | 0.061                |
| TBV-221M-2.0A-9426 | 220                             | 170                               | 2                    | 0.121                |
| TBV-301M-5.0A-9426 | 300                             | 120                               | 5                    | 0.064                |
| TBV-391M-4.0A-9426 | 390                             | 165                               | 4                    | 0.088                |
| TBV-471M-1.0A-9426 | 470                             | 400                               | 1                    | 0.342                |
| TBV-501M-3.0A-9426 | 500                             | 242                               | 3                    | 0.124                |
| TBV-781M-2.0A-9426 | 780                             | 428                               | 2                    | 0.225                |
| TBV-132M-1.0A-9426 | 1300                            | 933                               | 1                    | 0.585                |



**RoHS Compliant**

NOTE : Specifications subject to change without notice. Please check our website for latest information.

19.06.2008



**SUPERWORLD ELECTRONICS (S) PTE LTD**

## 6. ELECTRICAL CHARACTERISTICS :

| Part No.            | Inductance @ 1KHz  |                     | IDC<br>( A )<br>Max. | DCR<br>( Ω )<br>Max. |
|---------------------|--------------------|---------------------|----------------------|----------------------|
|                     | @ Idc=0A<br>( μH ) | @ Idc=Max<br>( μH ) |                      |                      |
| TBV-300M-10A-10626  | 30                 | 21                  | 10                   | 0.009                |
| TBV-350M-10A-10626  | 35                 | 25                  | 10                   | 0.010                |
| TBV-560M-7.0A-10626 | 56                 | 41.5                | 7                    | 0.020                |
| TBV-680M-7.0A-10626 | 68                 | 46                  | 7                    | 0.021                |
| TBV-820M-7.0A-10626 | 82                 | 53                  | 7                    | 0.023                |
| TBV-101M-5.0M-10626 | 100                | 75                  | 5                    | 0.036                |
| TBV-151M-4.0A-10626 | 150                | 110                 | 4                    | 0.053                |
| TBV-201M-3.0A-10626 | 200                | 157                 | 3                    | 0.078                |
| TBV-301M-2.0A-10626 | 300                | 250                 | 2                    | 0.142                |
| TBV-851M-2.0A-10626 | 850                | 567                 | 2                    | 0.211                |
| TBV-750M-10A-13026  | 75                 | 43                  | 43                   | 0.014                |
| TBV-131M-7.0A-13026 | 130                | 79                  | 79                   | 0.031                |
| TBV-201M-5.0A-13026 | 200                | 134                 | 134                  | 0.056                |
| TBV-251M-10A-13026  | 250                | 105                 | 105                  | 0.027                |
| TBV-471M-7.0A-13026 | 470                | 190                 | 190                  | 0.064                |
| TBV-681M-5.0A-13026 | 680                | 295                 | 295                  | 0.105                |



**RoHS Compliant**

NOTE : Specifications subject to change without notice. Please check our website for latest information.

19.06.2008



**SUPERWORLD ELECTRONICS (S) PTE LTD**