

527-277

Feed Through Backshell Assembly & Adapters for Size 2 ARINC 600 Series Connectors



ARINC 600
Backshells

TABLE II: FINISH OPTIONS

Symbol	Finish	Symbol	Finish
B	Cadmium Plate/Olive Drab	NC	Zinc Cobalt/Dark Olive Drab
C*	Black Anodize	NF	Cadmium Plate/Olive Drab over Electroless Nickel
G*	Anodic Hard Coat	T	Cadmium Plate/Bright over Electroless Nickel
J	Gold Iridite over Cadmium Plate over Electroless Nickel	U**	Cadmium Plate/Black
LF	Cadmium Plate/Bright over Electroless Nickel	ZN	Zinc-Nickel Alloy/Olive Drab
M	Electroless Nickel	*Anodize finish is not suitable for EMI shielding or grounding applications.	
N	Cadmium Plate/Olive Drab over Electroless Nickel	**Applicable to corrosion resisting steel backshells and accessories. Consult factory for other available finishes.	

NOTES:

1. Metric dimensions (mm) are indicated in parentheses.
2. ARINC 600 Series Connector Backshells are designed to replace the insert retainer plates. Due to non-standard modifications by the connector manufacturer, the backshell may require special design alterations to mate properly. Prior to ordering, consult factory with connector partnumbers not shown in the Part Number Development to ensure a proper fit.

687-488

EMI/RFI Adapter and Cap for 527-277 Feed Through Backshell (See Opposite Page & Above)

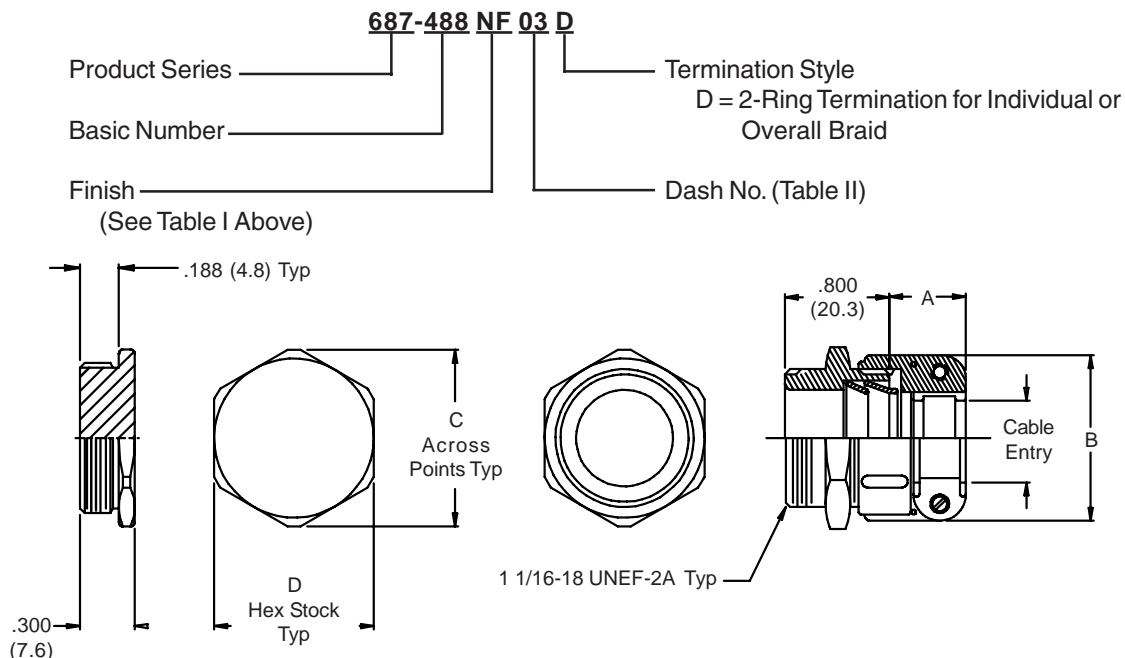


TABLE II: CAP & ADAPTER DIMENSIONS & CABLE ENTRY

Dash No.	Style	Cable Range		C Ref	D	Cable Range	
		Min	Max			Min	Max
00	I	—	—	1.250 (31.8)	1.125 (28.6)	—	—
03	II	.760 (19.3)	.844 (21.4)	1.250 (31.8)	1.125 (28.6)	.157 (4.0)	.250 (6.4)
04	II	.760 (19.3)	.906 (23.0)	1.250 (31.8)	1.125 (28.6)	.187 (4.7)	.312 (7.9)
06	II	.760 (19.3)	1.093 (27.8)	1.250 (31.8)	1.125 (28.6)	.281 (7.1)	.437 (11.1)
08	II	.760 (19.3)	1.187 (30.1)	1.250 (31.8)	1.125 (28.6)	.344 (8.7)	.562 (14.3)
10	II	.760 (19.3)	1.281 (32.5)	1.250 (31.8)	1.125 (28.6)	.375 (9.5)	.625 (15.9)
12	II	.760 (19.3)	1.500 (38.1)	1.375 (34.9)	1.250 (31.8)	.438 (11.1)	.750 (19.1)
16	II	1.073 (27.3)	1.719 (43.7)	1.620 (41.1)	1.500 (38.1)	.562 (14.3)	.938 (23.8)

Metric dimensions (mm) are indicated in parentheses.