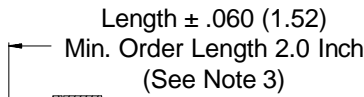
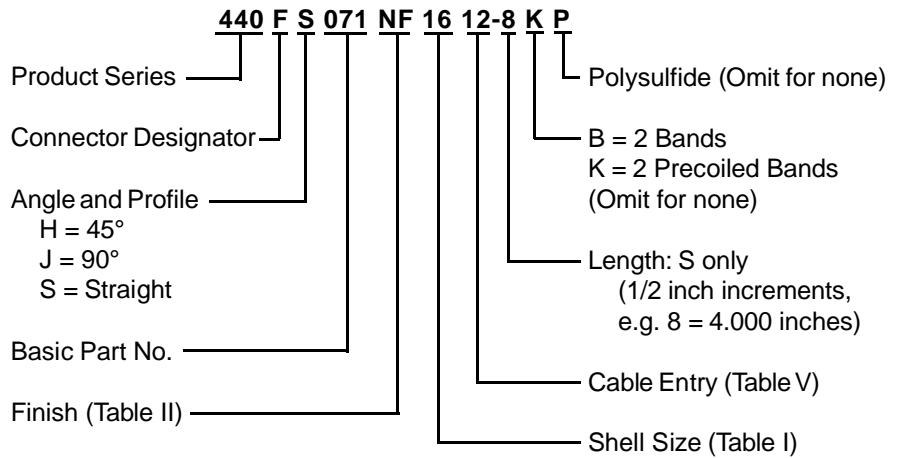
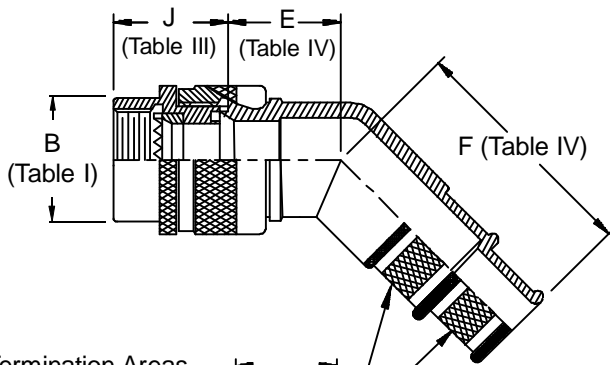
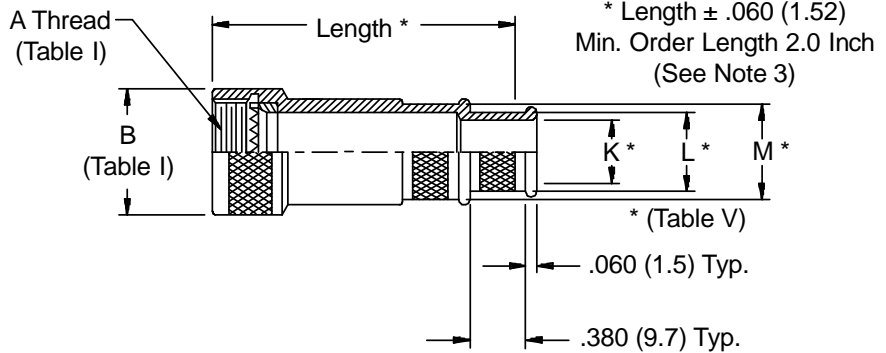


**CONNECTOR
DESIGNATORS
A-B*-C-D-E-F
G-H-J-K-L-S**

* Conn. Desig. B See Note 4
DIRECT COUPLING

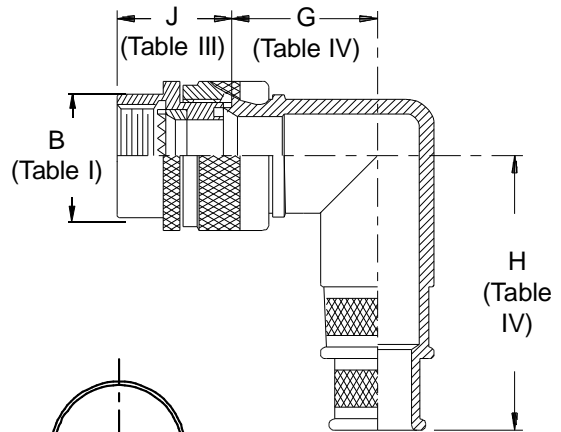


**STYLE 2
(STRAIGHT
See Note 1)**



Termination Areas
Free of Cadmium.
Knurl or Ridges
Mfr's Option

Polysulfide Stripes
P Option



Band Option
(K Option Shown -
See Note 5)

440-071
EMI/RFI Dual Banding Adapter
Direct Coupling - Standard Profile



See inside back cover
 fold-out or pages 13 and
 14 for Tables I and II.

TABLE III: FRONT ADAPTER

Shell Size	J Max - Conn. Designator		
	A-E-F		
	J-H-L-S	D-B-G-K	C
08/09	1.180 (30.0)	1.250 (31.8)	
10/11	1.180 (30.0)	1.250 (31.8)	
12/13	1.180 (30.0)	1.250 (31.8)	1.735 (44.1)
14/15	1.180 (30.0)	1.250 (31.8)	1.915 (48.6)
16/17	1.380 (35.0)	1.560 (39.6)	1.915 (48.6)
18/19	1.380 (35.0)	1.560 (39.6)	1.915 (48.6)
20/21	1.380 (35.0)	1.560 (39.6)	1.915 (48.6)
22/23	1.380 (35.0)	1.560 (39.6)	1.915 (48.6)
24/25	1.380 (35.0)	1.560 (39.6)	1.915 (48.6)
28/29	1.610 (40.9)	1.560 (39.6)	1.915 (48.6)
32/33	1.610 (40.9)	1.750 (44.5)	1.915 (48.6)
36	1.610 (40.9)	1.750 (44.5)	1.915 (48.6)
40	1.610 (40.9)	2.190 (55.6)	1.915 (48.6)

TABLE IV: ELBOW DIMENSIONS

Elbow Size	E Max	F Max	G Max	H Max
02	.639 (16.2)	1.328 (33.7)	.750 (19.1)	1.438 (36.5)
03	.639 (16.2)	1.328 (33.7)	.750 (19.1)	1.438 (36.5)
04	.639 (16.2)	1.328 (33.7)	.750 (19.1)	1.438 (36.5)
05	.664 (16.9)	1.358 (34.5)	.810 (20.6)	1.498 (38.0)
06	.664 (16.9)	1.358 (34.5)	.810 (20.6)	1.498 (38.0)
07	.688 (17.5)	1.378 (35.0)	.870 (22.1)	1.558 (39.6)
08	.688 (17.5)	1.378 (35.0)	.870 (22.1)	1.558 (39.6)
09	.705 (17.9)	1.408 (35.8)	.920 (23.4)	1.628 (41.4)
10	.732 (18.6)	1.428 (36.3)	.980 (24.9)	1.688 (42.9)
11	.732 (18.6)	1.428 (36.3)	.980 (24.9)	1.688 (42.9)
12	.748 (19.0)	1.438 (36.5)	1.020 (25.9)	1.708 (43.4)
13	.773 (19.6)	1.458 (37.0)	1.080 (27.4)	1.768 (44.9)
14	.773 (19.6)	1.458 (37.0)	1.080 (27.4)	1.768 (44.9)
15	.800 (20.3)	1.498 (38.0)	1.140 (29.0)	1.848 (46.9)
16	.800 (20.3)	1.498 (38.0)	1.140 (29.0)	1.848 (46.9)

TABLE V: CABLE ENTRY

Dash No.	K Dia	L Dia	M Dia
02	.125 (3.2)	.250 (6.4)	.312 (7.9)
03	.188 (4.8)	.312 (7.9)	.375 (9.5)
04	.250 (6.4)	.375 (9.5)	.438 (11.1)
05	.312 (7.9)	.438 (11.1)	.500 (12.7)
06	.375 (9.5)	.500 (12.7)	.562 (14.3)
07	.438 (11.1)	.562 (14.3)	.625 (15.9)
08	.500 (12.7)	.625 (15.9)	.688 (17.5)
09	.562 (14.3)	.688 (17.5)	.750 (19.1)
10	.625 (15.9)	.750 (19.1)	.812 (20.6)
11	.688 (17.5)	.812 (20.6)	.875 (22.2)
12	.750 (19.1)	.875 (22.2)	.938 (23.8)
13	.812 (20.6)	.938 (23.8)	1.000 (25.4)
14	.875 (22.2)	1.000 (25.4)	1.062 (27.0)
15	.938 (23.8)	1.062 (27.0)	1.125 (28.6)
16	1.000 (25.4)	1.125 (28.6)	1.188 (30.2)
17	1.062 (27.0)	1.188 (30.2)	1.250 (31.8)
18	1.125 (28.6)	1.250 (31.8)	1.312 (33.3)
20	1.250 (31.8)	1.375 (34.9)	1.438 (36.5)
22	1.375 (34.9)	1.500 (38.1)	1.562 (39.7)
24	1.500 (38.1)	1.625 (41.3)	1.688 (42.9)

1. When maximum cable entry (page 22) is exceeded, Style 2 will be supplied. (Function S only).
2. Metric dimensions (mm) are indicated in parentheses.
3. Consult factory for shorter lengths on straight backshells.
4. When using Connector Designator B refer to pages 18 and 19 for part number development.
5. Backshells supplied with 600-052-* band, see Glenair Series 600 Tool Catalog for installation.