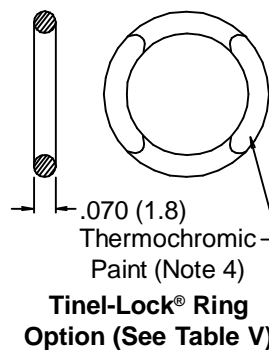
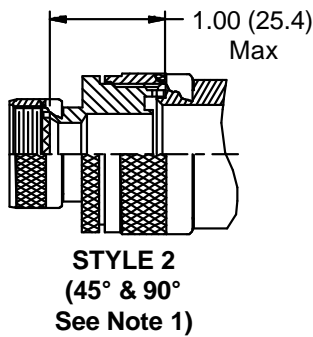
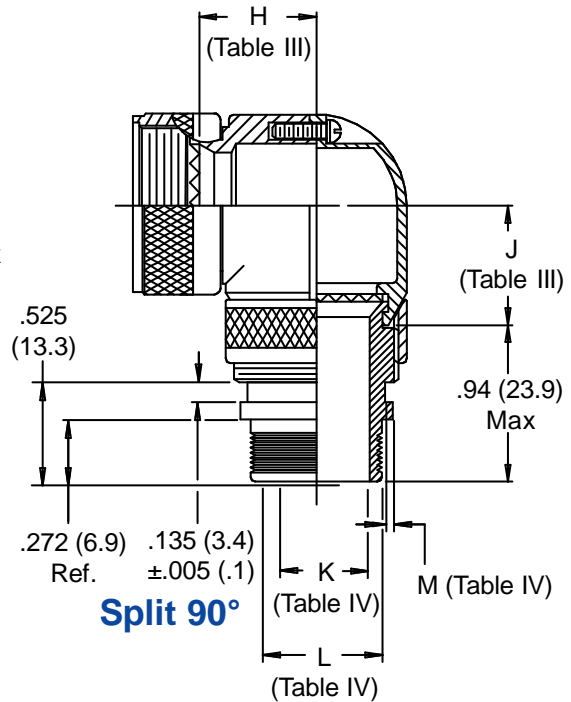
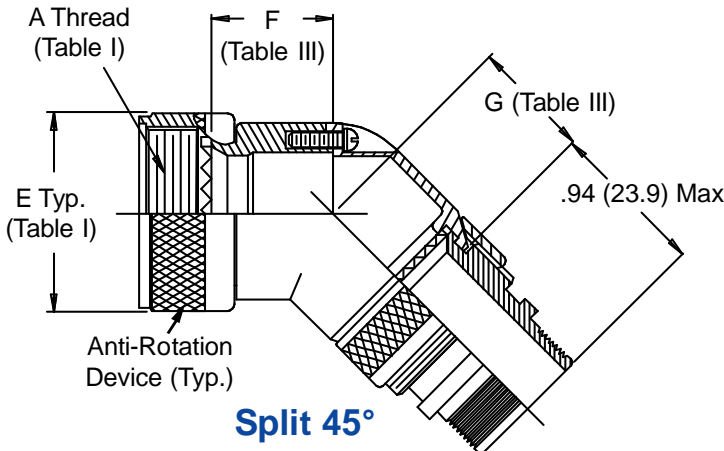
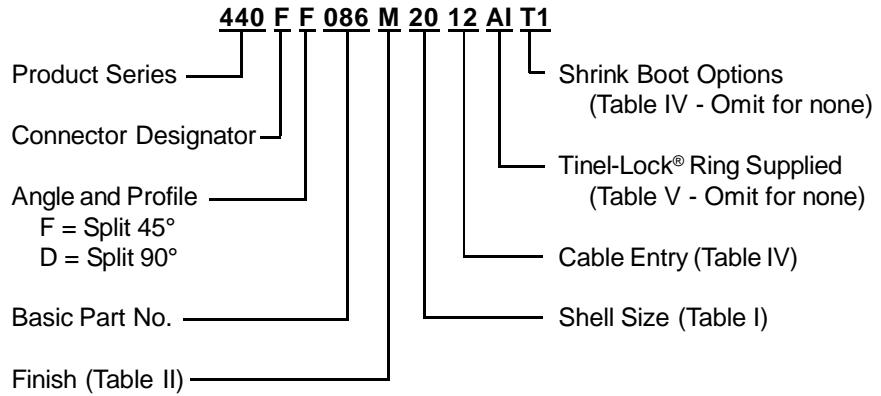


**CONNECTOR
 DESIGNATORS
 A-F-H-L-S
 SELF-LOCKING
 ROTATABLE
 COUPLING**

**FOR TINEL-LOCK®
 RING TERMINATIONS**



Tinel-Lock® is a registered trademark of Tyco

