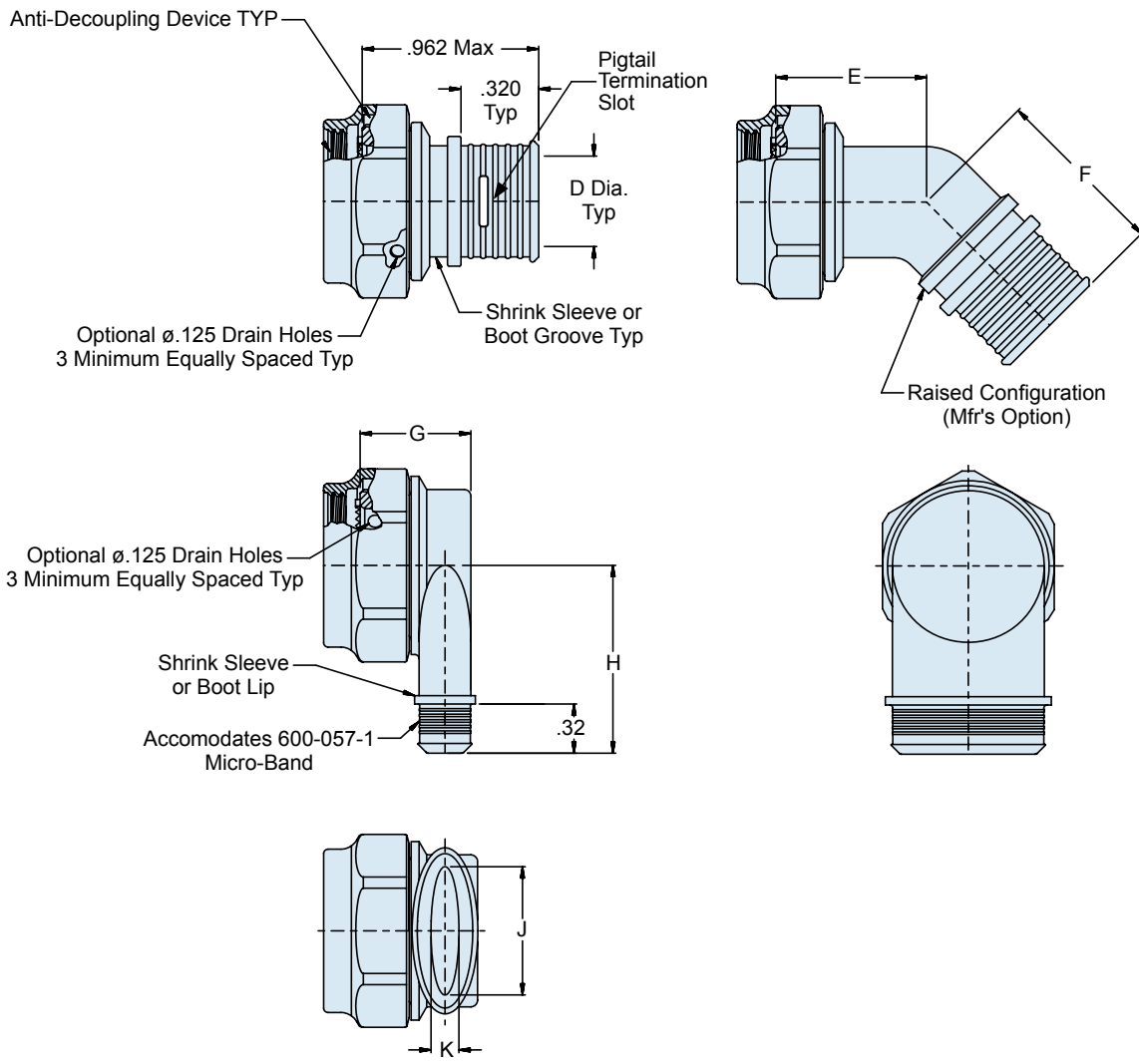
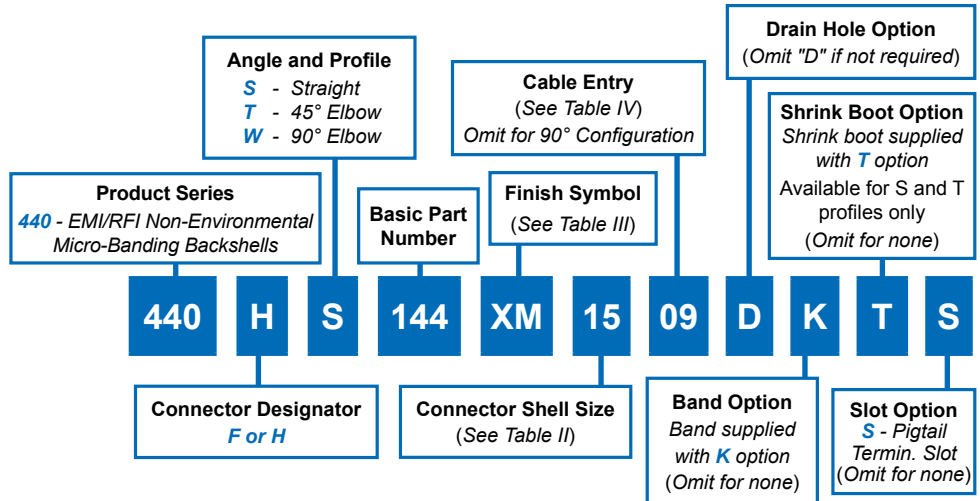




440-144 Composite Ultra Low Profile EMI/RFI Micro-Banding Backshell with Shrink Boot Porch and Self-Locking Rotatable Coupling

A

CONNECTOR DESIGNATOR:	
F	MIL-DTL-38999 Series I, II
H	MIL-DTL-38999 Series III and IV
SELF-LOCKING	
ROTATABLE COUPLING	
ULTRA LOW PROFILE	



440-144
Composite Ultra Low Profile EMI/RFI
Micro-Banding Backshell with Shrink Boot Porch
and Self-Locking Rotatable Coupling



TABLE II: SHELL SIZE

Shell Size		Entry Code Available for Straight and 45° Configuration	G Max	H ± .03	J	K
F	H					
08	09	04	.63 (16.0)	1.042 (26.5)	.304 (7.7)	.160 (4.1)
10	11	05	.66 (16.8)	1.107 (28.1)	.432 (11.0)	.174 (4.4)
12	13	07	.72 (18.3)	1.174 (29.8)	.546 (13.9)	.195 (5.0)
14	15	09	.83 (21.1)	1.241 (31.5)	.670 (17.0)	.315 (8.0)
16	17	05 and 11	.91 (23.1)	1.305 (33.1)	.796 (20.2)	.385 (9.8)
18	19	07 and 13	.93 (23.6)	1.371 (34.8)	.902 (22.9)	.445 (11.3)
20	21	09 and 15	1.04 (26.4)	1.438 (36.5)	1.027 (26.1)	.525 (13.3)
22	23	11 and 16	1.12 (28.4)	1.505 (38.2)	1.152 (29.3)	.595 (15.1)
24	25	07, 13 and 17	1.18 (30.0)	1.572 (39.9)	1.276 (32.4)	.655 (16.6)

TABLE IV: CABLE ENTRY

Dash Number	D ± .03	E ± .06	F ± .09
04	.25 (6.4)	.72 (18.3)	.87 (22.1)
05	.31 (7.9)	.75 (19.1)	.93 (23.6)
07	.44 (11.2)	.75 (19.1)	1.00 (25.4)
09	.56 (14.2)	.76 (19.3)	1.03 (26.2)
11	.68 (17.3)	.78 (19.8)	1.05 (26.7)
13	.81 (20.6)	.79 (20.1)	1.06 (26.9)
15	.94 (23.9)	.82 (20.8)	1.09 (27.7)
16	1.00 (25.4)	.86 (21.8)	1.13 (28.7)
17	1.16 (29.5)	.89 (22.6)	1.16 (29.5)

TABLE III: FINISH

Symbol	Finish Description
XM	2000 Hour Corrosion Resistant Electroless Nickel
XMT	2000 Hour Corrosion Resistant Ni-PTFE, Nickel-Fluorocarbon Polymer. <i>1000 Hour Grey™</i>
XW	2000 Hour Corrosion Resistant Cadmium/Olive Drab over Electroless Nickel

NOTES

1. 770-001S**-0 shrink boot supplied with T option. See shrink boot product page for more details.
2. Coupling nut supplied unplated.
3. See Table I in Intro for front-end dimensional details.