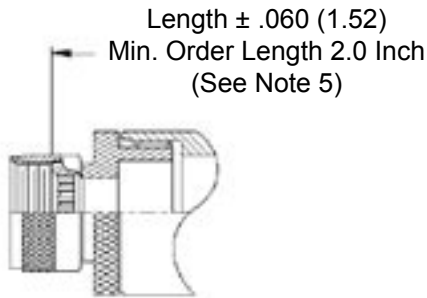
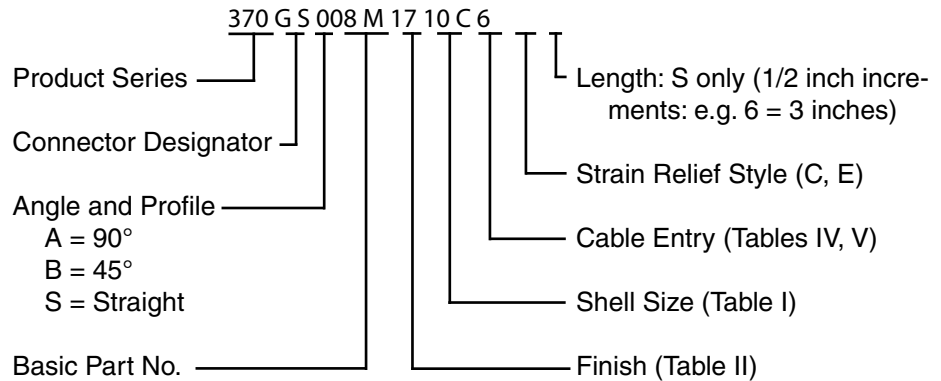
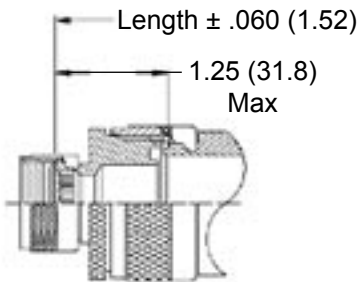
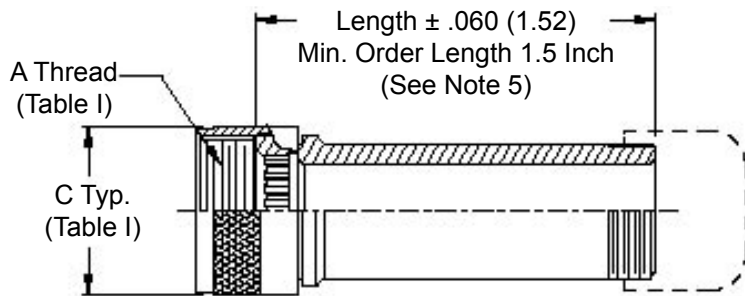


**CONNECTOR
DESIGNATOR**

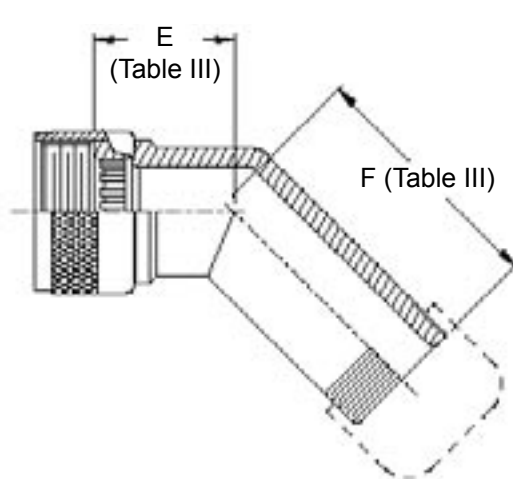
**G
ROTATABLE
COUPLING**



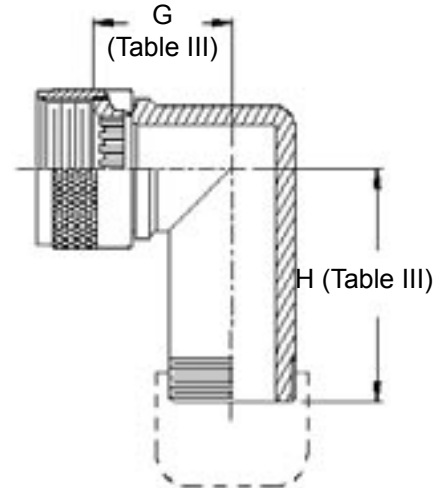
**STYLE 2
(STRAIGHT
See Note 1)**



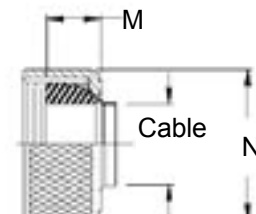
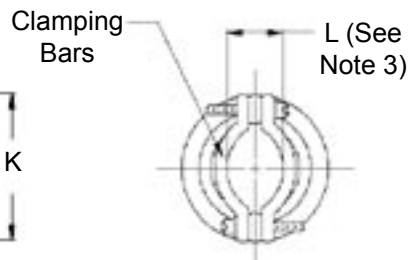
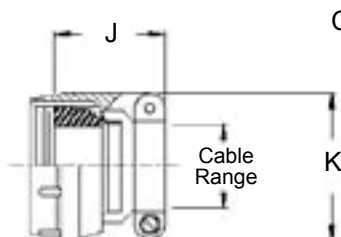
**STYLE 2
(45° & 90°
See Note 1)**



**STYLE C
Medium Duty
(Table IV)**



**STYLE E
Medium Duty
(Table V)**



Water-Tight Cable Sealing Backshell
with Strain Relief
Standard Profile - Rotatable Coupling



See inside back cover fold-out or pages 13 and 14 for unabridged Tables I and II.

TABLE III: ELBOW DIMENSIONS

| Shell Size | E Max | F Max | G Max | H Max |
|------------|--------------|--------------|--------------|--------------|
| 11 | 1.240 (31.5) | .920 (23.4) | 1.380 (35.1) | 1.060 (26.9) |
| 13 | 1.260 (32.0) | .940 (23.9) | 1.440 (36.6) | 1.120 (28.4) |
| 15 | 1.290 (32.8) | .970 (24.6) | 1.500 (38.1) | 1.190 (30.2) |
| 17 | 1.310 (33.3) | .990 (25.1) | 1.570 (39.9) | 1.250 (31.8) |
| 19 | 1.340 (34.0) | 1.020 (25.9) | 1.630 (41.4) | 1.330 (33.8) |
| 23 | 1.380 (35.1) | 1.060 (26.9) | 1.730 (43.9) | 1.410 (35.8) |
| 25 | 1.410 (35.8) | 1.090 (27.7) | 1.800 (45.7) | 1.480 (37.6) |
| 29 | 1.580 (40.1) | 1.260 (32.0) | 2.040 (51.8) | 1.720 (43.7) |
| 33 | 1.620 (41.1) | 1.300 (33.0) | 2.130 (54.1) | 1.810 (46.0) |

TABLE II: STANDARD FINISHES

| GLENAIR SYMBOL | FINISH |
|----------------|--|
| B | Cadmium Plate, Olive Drab |
| C | Anodize, Black |
| G | Hard Coat, Anodic |
| M | Electroless Nickel |
| NF | Cadmium Plate, Olive Drab Over Electroless Nickel |

See Inside Back Cover
for Additional Finish Options

TABLE IV: CABLE ENTRY

| Dash No. | J Max | K Max | L Ref | Cable Range | |
|----------|--------------|--------------|--------------|--------------|--------------|
| | | | | Min | Max |
| 03 | 1.219 (31.0) | .812 (20.6) | .135 (3.4) | .156 (4.0) | .219 (5.6) |
| 04 | 1.219 (31.0) | .937 (23.8) | .203 (5.2) | .188 (4.8) | .312 (7.9) |
| 06 | 1.219 (31.0) | 1.062 (27.0) | .285 (7.2) | .281 (7.1) | .438 (11.1) |
| 08 | 1.219 (31.0) | 1.188 (30.2) | .350 (8.9) | .312 (7.9) | .531 (13.5) |
| 10 | 1.281 (32.5) | 1.312 (33.3) | .390 (9.9) | .375 (9.5) | .625 (15.9) |
| 12 | 1.281 (32.5) | 1.562 (39.7) | .460 (11.7) | .500 (12.7) | .750 (19.1) |
| 16 | 1.406 (35.7) | 1.750 (44.5) | .510 (13.0) | .625 (15.9) | .938 (23.8) |
| 20 | 1.656 (42.1) | 2.250 (57.2) | .695 (17.7) | .938 (23.8) | 1.250 (31.8) |
| 24 | 1.906 (48.4) | 2.375 (60.3) | .715 (18.2) | 1.000 (25.4) | 1.375 (34.9) |
| 28 | 1.906 (48.4) | 2.625 (66.7) | .915 (23.2) | 1.250 (31.8) | 1.625 (41.3) |
| 32 | 2.000 (50.8) | 2.812 (71.4) | 1.070 (27.2) | 1.500 (38.1) | 1.875 (47.6) |

TABLE V: CABLE ENTRY

| Dash No. | M Max | N Max | Cable Range | |
|----------|--------------|--------------|--------------|--------------|
| | | | Min | Max |
| 03 | .739 (18.8) | .812 (20.6) | .156 (4.0) | .219 (5.6) |
| 04 | .739 (18.8) | .937 (23.8) | .188 (4.8) | .312 (7.9) |
| 06 | .739 (18.8) | 1.062 (27.0) | .281 (7.1) | .438 (11.1) |
| 08 | .739 (18.8) | 1.188 (30.2) | .312 (7.9) | .531 (13.5) |
| 10 | .791 (20.1) | 1.312 (33.3) | .375 (9.5) | .625 (15.9) |
| 12 | .880 (22.4) | 1.562 (39.7) | .500 (12.7) | .750 (19.1) |
| 16 | .901 (22.9) | 1.750 (44.5) | .625 (15.9) | .938 (23.8) |
| 20 | 1.031 (26.2) | 2.250 (57.2) | .938 (23.8) | 1.250 (31.8) |
| 24 | 1.250 (31.8) | 2.375 (60.3) | 1.000 (25.4) | 1.375 (34.9) |
| 28 | 1.250 (31.8) | 2.625 (66.7) | 1.250 (31.8) | 1.625 (41.3) |
| 32 | 1.312 (33.3) | 2.812 (71.4) | 1.500 (38.1) | 1.875 (47.6) |

1. When maximum cable entry (page 21) is exceeded, Style 2 will be supplied. Dimensions E, F, G & H will not apply. Please consult factory.
2. Metric dimensions (mm) are indicated in parentheses.
3. Saddles are bottomed on Clamp Ears.
4. Cable range is defined as the accommodations range for the wire bundle or cable. Dimensions shown are not intended for inspection criteria.
5. Consult factory for shorter lengths on straight backshells.

-445

Add "-445" to Specify Glenair's Non-Detent, ("NESTOR") Spring-Loaded, Self-Locking Coupling. See Page 41 for Details.