

SPECTRAlert® SP2C Series Ceiling Mount Speaker/Strobes



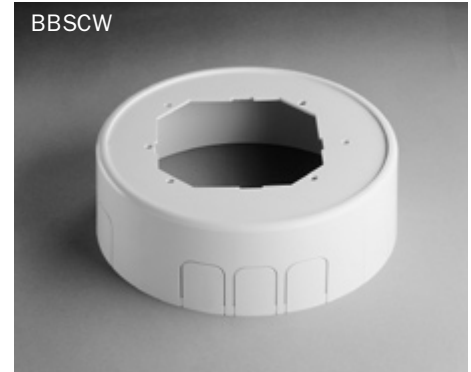
Models Available

Speaker/Strobe Models

- SP2C2415
- SP2C241575
- SP2C2430
- SP2C2475
- SP2C2495
- SP2C24115
- SP2C24177

Accessory Back Box Skirt

BBSCW



Product Overview

Combines SpectrAlert ceiling mount strobe and speaker technology

- Low current draw
- Fidelity sound quality

24 volt models available with 15, 15/75, 30, 75, 95, 115, and 177 candela strobes

25.0 and 70.7 volt speaker with four field-selectable power taps

Ceiling-specific shape, profile, and aesthetics

Strobe is synchronizable with MDL Sync•Circuit™ module

Mounts to 4" x 4" x 2 1/8" back box without an extension ring

Round shape offers greater placement flexibility

System Sensor's SpectrAlert® SP2C series ceiling speaker/strobes represent the combination of leading-edge strobe and speaker technology with a design specifically intended for ceiling mount applications.

Technology. SpectrAlert SP2C ceiling speaker/strobes combine the low current draw of the ceiling mount SpectrAlert strobes, with the intelligible, fidelity sound quality of the SpectrAlert SP200 series evacuation speaker.

Flexibility. Like all SpectrAlert products, the SP2C series ceiling speaker/strobes feature the flexibility to meet a wide variety of applications. The 24 volt strobe is available in seven different candelas, including 177 candela for sleeping areas. The speaker offers field-selectable 25.0/70.7 voltage and 1/4, 1/2, 1, and 2 watt power taps.

Aesthetics. The SP2C ceiling speaker/strobes offer a design that is sensitive to the aesthetic demands of ceiling mount applications. The round shape maintains a low profile appearance, similar to that of a smoke detector. Its stylish curves and design further refine the aesthetics over other generic wall/ceiling mount designs. Yet SpectrAlert's round shape provides clearly visible "FIRE" identification from all angles.

Installation. The SP2C ceiling speaker/strobes include several features to simplify installation. By incorporating the SP200 series speaker, the entire unit may be mounted to a 4" x 4" x 2 1/8" back box, without the need for an extension ring. An optional back box skirt is also available for surface-mount applications. And with SpectrAlert's round shape, it is not necessary to align the back box with the room's walls. SpectrAlert always lines up.

Engineering Specifications

Ceiling speaker/strobe shall be a System Sensor Model _____ listed to UL1480 and UL 1971 and be approved for fire protective signaling systems. Speaker shall be capable of operating at 25.0 or 70.7 nominal Vrms, and shall have a frequency range of 400 to 4000 Hz. Speaker shall have power taps which are selected by shunts. The strobe shall comply with the NFPA72 requirements for visible signaling appliances, flashing at 1 Hz over the strobe's entire operating voltage range. The strobe light shall consist of a xenon flash tube and associated lens/reflector system.



General Specifications

Dimensions

6.8" diameter

Mounting

4"×4"×2¹/₈" back box

Indoor Operating Temperature

32°F to 120° F (0°C to 49°C)

Back Box Skirt

7.46" diameter; 2.42" height

U.S. Patent Nos.

6,049,446 6,057,778 D424,465

Strobe Specifications

Strobe Operating Voltage

24 VDC and FWR unfiltered

Operating Voltage Range

24 V, 16-33 V

Note: 177cd model tested at 20–33 V FWR and 16–33 VDC

Operating Voltage Range w/Sync•Circuit™ Module

24 V, 17–33 V

Note: 177cd model tested at 21–33 V FWR and 17–33 VDC

Input Terminals

12 to 18 AWG

Speaker Specifications

Input Voltage

25.0 or 70.7 Vrms (nominal)

Input Terminals

12 to 18 AWG

Sound Output (UL Reverberant dBA @ 10 ft.)*

2 watts	1 watt	½ watt	¼ watt
84	81	78	75

Frequency Range

400–4000 Hz

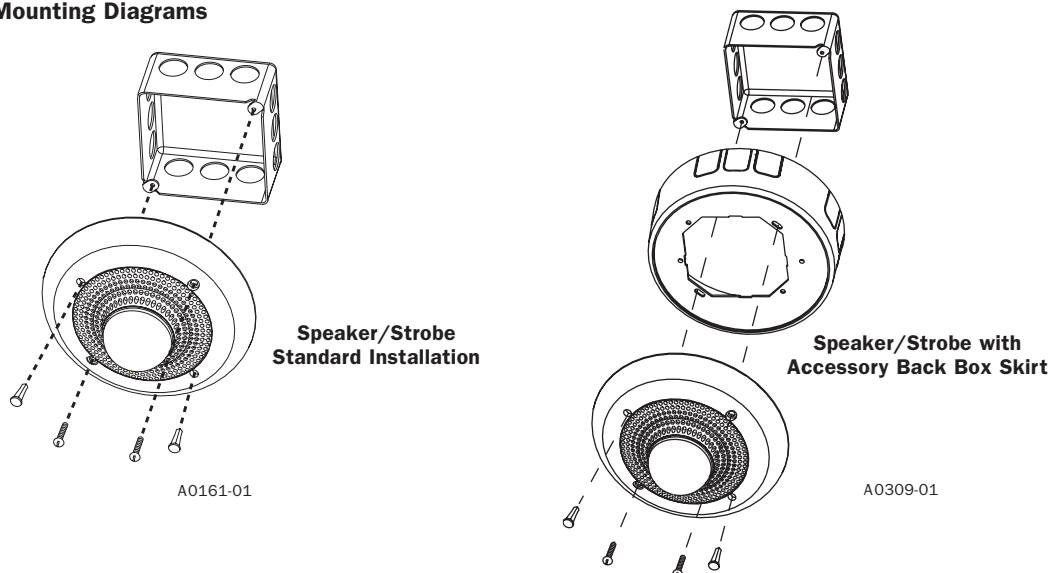
The SP2C Series is UL listed from 400 to 4000Hz but will provide an output from 100 to 10,000Hz.

Power Taps

¼, ½, 1 and 2 watts

*Assumes flush mount installation

SpectrAlert Mounting Diagrams



Ordering Information/Current Draw

Description	Model No. (White)	Candela	FWR Max. Operating Current – Strobe (mA RMS)		DC Max. Operating Current – Strobe (mA RMS)			
			DC	FWR	DC	FWR	DC	FWR
Ceiling Speaker/Strobes	SP2C2415	15		68				64
	SP2C241575	15/75		77				78
	SP2C2430	30		107				113
	SP2C2475	75		197				205
	SP2C2495	95		239				274
	SP2C24115	115		298				325
	SP2C24177	177		399				489
Surface-mount back box skirt	BBSCW							
Sync•Circuit™ Module	MDLW	Voltage	Average Current (mA)		Peak Current (mA)		In-rush Current (mA)	
			DC	FWR	DC	FWR	DC	FWR
		12	10	12	30	31	87	122
		24	12	15	35	37	198	262

System Sensor Sales and Service

System Sensor Headquarters

3825 Ohio Avenue
St. Charles, IL 60174
Ph: 800/SENSOR2
Fx: 630/377-6495
www.systemsensor.com

System Sensor Canada

Ph: 905.812.0767
Fx: 905.812.0771

System Sensor Europe

Ph: 44.1403.891920
Fx: 44.1403.891921

System Sensor in China

Ph: 86.29.8832.0119
Fx: 86.29.8832.5119

System Sensor in Singapore

Ph: 65.6273.2230
Fx: 65.6273.2610

System Sensor – Far East

Ph: 85.22.191.9003
Fx: 85.22.736.6580

System Sensor – Australia

Ph: 613.54.281.142
Fx: 613.54.281.172

System Sensor – India

Ph: 91.124.237.1770 x.2700
Fx: 91.124.237.3118

System Sensor – Russia

Ph: 70.95.937.7982
Fx: 70.95.937.7983