

EPJ9011-S9



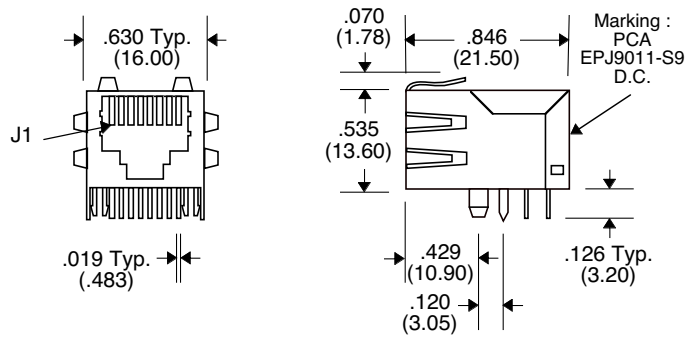
- Designed for 10/100Base-TX Transceiver ICs
- Thermo Plastic PBT UL94V-0 Rated Connector Housing
- Complete Bob Smith Termination Included
- Metal Shield : Nickel Plated Copper Alloy
- Operating Temperature : 0°C to +70°C
- Space Saving RJ-45 Connector

Electrical Parameters @ 25° C

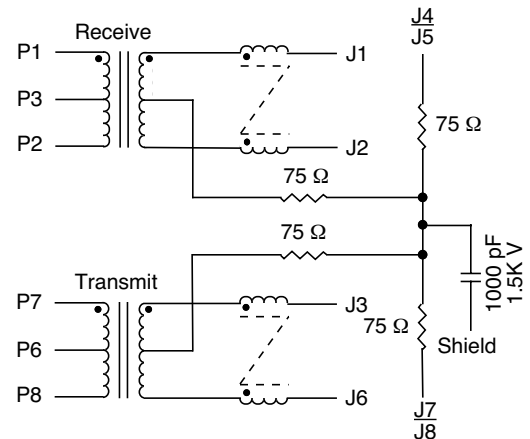
Turns Ratio	OCL (uH Min.) @ 8 mA DC Bias	Insertion Loss (dB Max.)	Return Loss (dB Min.)		Leakage Inductance (uH Max.)		Pri. to Sec. Capacitance (pF Max.)		CMRR (dB Min.)			Crosstalk (dB Min.)		
			1-30 MHz	30-80 MHz	1 MHz (P6-7-8)	1 MHz (P3-2-1)	1 MHz (P6-7-8/J6-3)	1 MHz (P3-2-1/J2-1)	30 MHz	60 MHz	100 MHz	30 MHz	60 MHz	100 MHz
Xmit/Rcv	100 KHz, 0.1V	1-100 MHz	1-30 MHz	30-80 MHz	1 MHz (P6-7-8)	1 MHz (P3-2-1)	1 MHz (P6-7-8/J6-3)	1 MHz (P3-2-1/J2-1)	30 MHz	60 MHz	100 MHz	30 MHz	60 MHz	100 MHz
1:1/1:1	350	-1.0	-16	-10	0.3	0.6	25	25	-35	-30	-25	-40	-35	-30

• Isolation : 1500 Vrms • DCR : 1.0 Ω Max. •

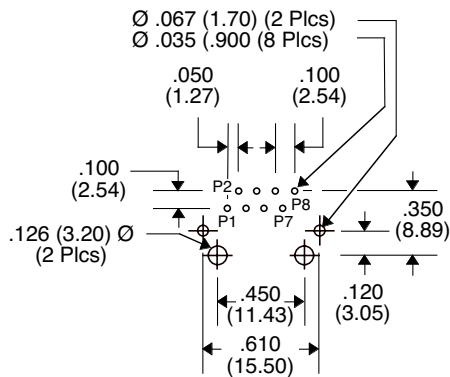
Package



Schematic



Recommended PCB Layout (Component Side)



Unless Otherwise Specified Dimensions are in Inches /mm ±.010 / .25