

Dual USB / Gigabit Filter Port Jacks

EPJ4016



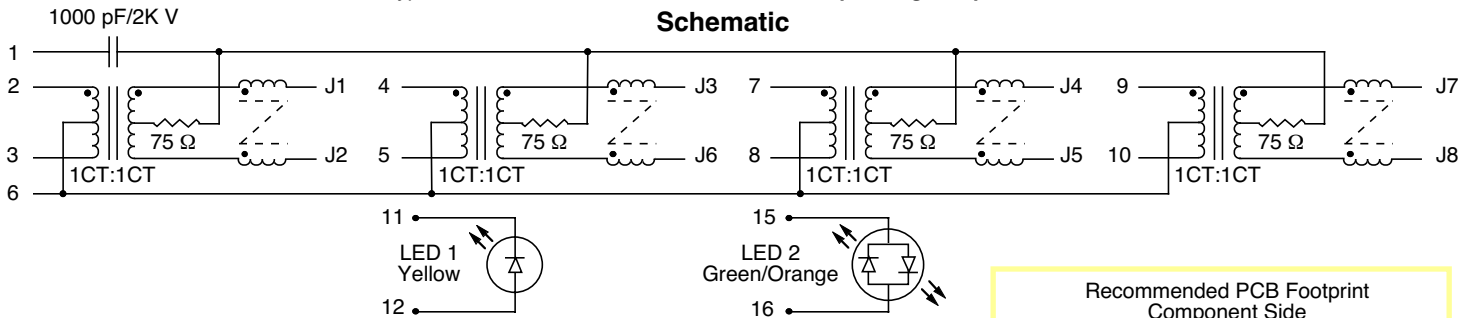
- Space saving RJ-45/USB Connectors •
- Thermo Plastic PBT UL94V-0 Rated Connector Housing •
- Metal Shield : Nickel Plated Copper Alloy •
- Pins : 0.018 Tin-Coated Copper Wire •

Electrical Parameters @ 25° C

| OCL (μ H Min.) | Insertion Loss (dB Max.) | | | Return Loss (dB Min.) | | | CMRR (dB Min.) | CMDR (dB Min.) | | | | Crosstalk (dB Min.) | | | | |
|------------------------|-----------------------------|-------------|---------------|--------------------------|-------------|-----------|-------------------|-------------------|------------|-------------|----------|------------------------|-----------|------------|-------------|-----------|
| | @ 100 KHz, 0.1 Vrms | 1-65 MHz | 65-100 MHz | 100-125 MHz | 1-40 MHz | 60 MHz | | 80 MHz | 100 MHz | 1-80 MHz | 1 MHz | 30 MHz | 50 MHz | 100 MHz | 1-40 MHz | 60 MHz |
| 8 mA DC Bias | | | | | | | | | | | | | | | | |
| 350 | -1 | -1.1 | -1.5 | -18 | -15 | -12 | -10 | -30 | -60 | -40 | -35 | -30 | -40 | -35 | -30 | |

• LEDs : $V_f=2.1V$ Typ. @ 20 mA • Isolation : 1500 Vrms • Operating Temperature : 0°C to +70°C •

Schematic



Recommended PCB Footprint Component Side

Package

Pin Assignment

