

EPA1271A & EPA1271A-LF

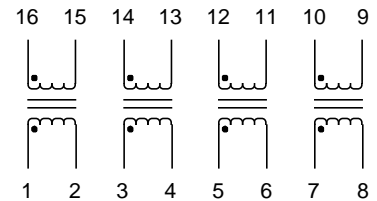
- High Isolation Transformer
- UL94V-0 Recognized Materials
- UL 1446 Class B Insulation System
- Add “-LF” after part number for Lead Free
- Isolation : 2000 Vrms

Electrical Parameters @ 25° C

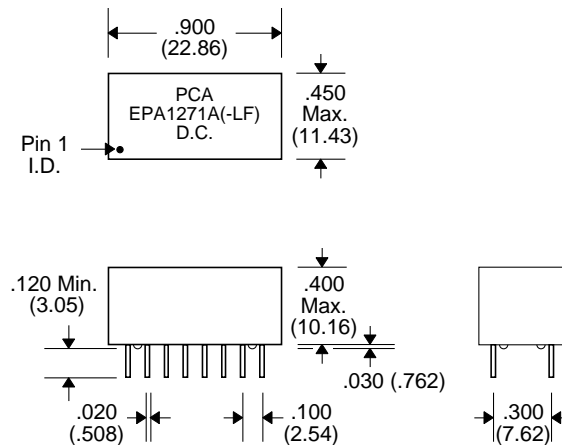
Primary Inductance (mH ± 20%)	Interwinding Capacitance (pF Max.)	Leakage Inductance (µH Max.)	Primary ET (V-µSec, Min)	Turns Ratio (± 5%)	DCR (Max.)		Crosstalk (dB Min.) @ 1 MHz
2.5	25	8	20	1:1	1.0	1.0	-70

Schematic

Notes :	EPA1271A	EPA1271A-LF
1. Assembly Process (Solder Composition)	(Lead Finish) SnPb	Hot Tin Dip (Sn)
2. Peak Solder Rating (per JESD22-B106-B)	260°C 10 (+2/-0) seconds	260°C 10 (+2/-0) seconds
3. Weight	TBD grams	TBD grams
4. Packaging Information	(Tube) TBD pieces/tube	TBD pieces/tube



Package



Unless Otherwise Specified Dimensions are in Inches /mm ± .010 /.25